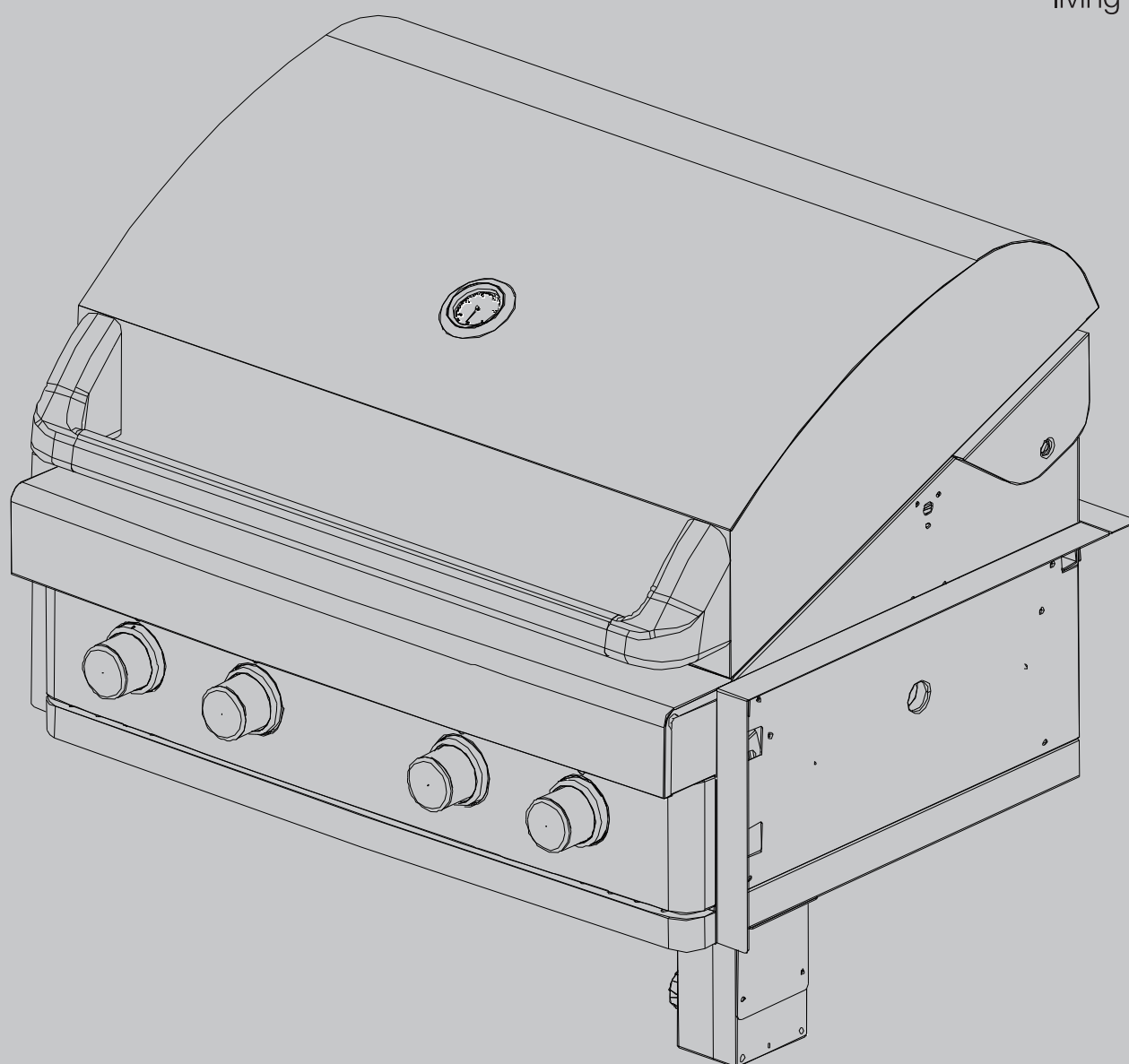


OUTDOOR KITCHEN

Odeon

grandhall
living style



IE GB Assembly instructions

CH FR Instructions d'assemblage

AT CH DE Montageanweisungen

CH IT Istruzioni per il montaggio

LU BE NL Montage-instructies

SE Montering

FI Kokoamisohjeet

ES Instrucciones de armado

PT Instruções para Montagem

DK Monteringsvejledning

NO Montering

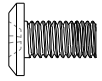
PL Instrukcje

CE 0087

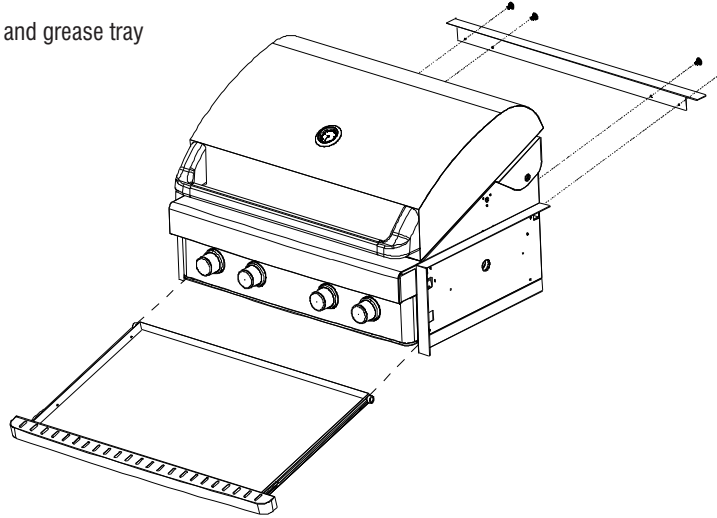
ASSEMBLY

CAUTION : While possible for one person to assemble this barbecue, it is recommended obtaining assistance from a second person when handling some of the larger heavier pieces.

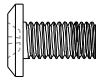
- ① Install rear trim panel onto grill head and grease tray



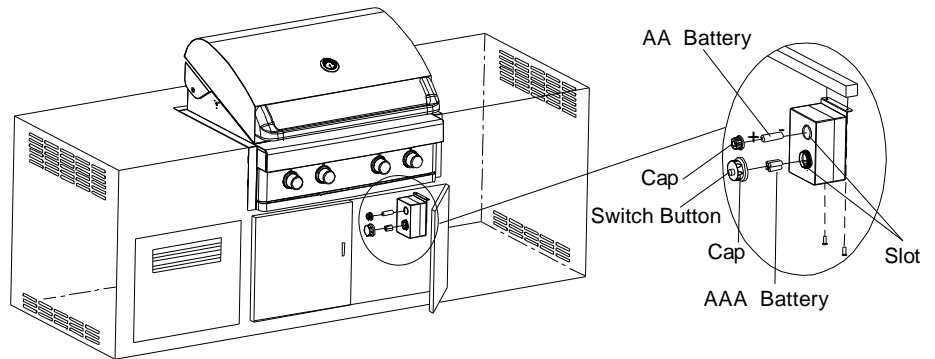
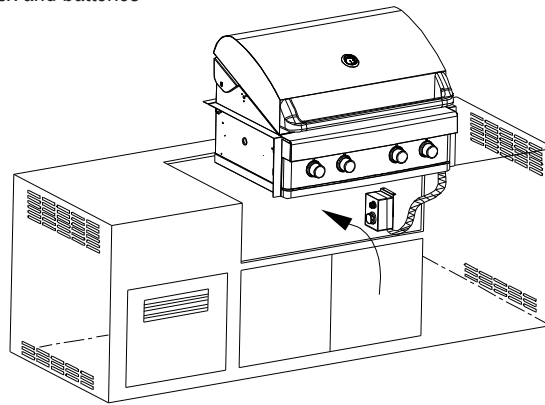
Pan Head Screw
3/16"x3/8"
Qty. 4



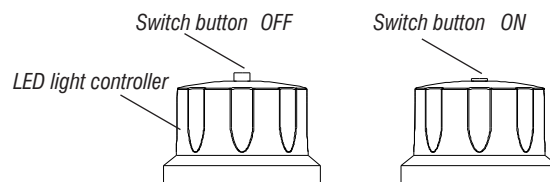
- ② Set grill head into the island. install control box and batteries



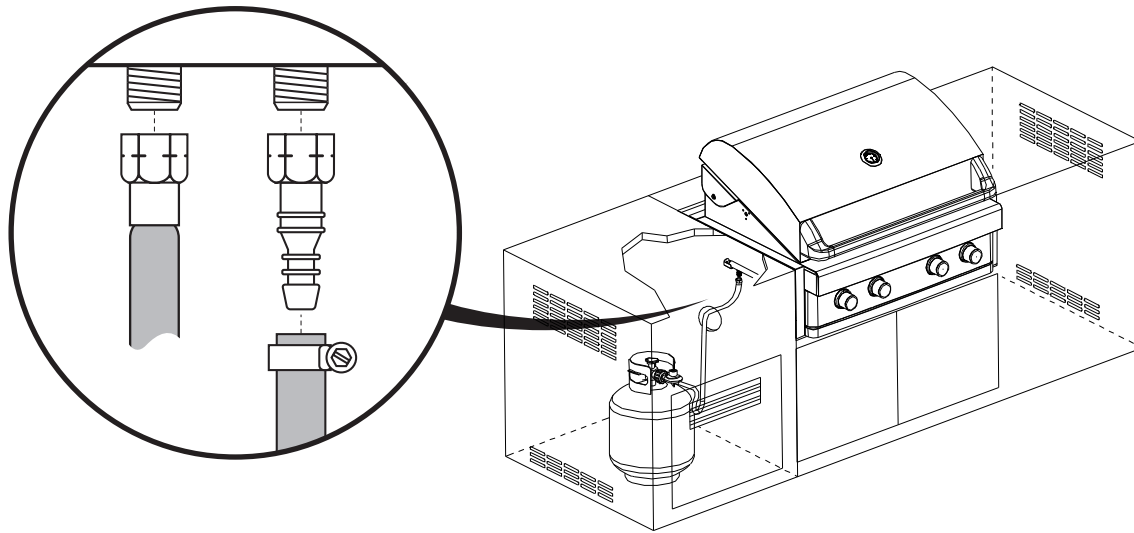
Pan Head Screw
3/16"x3/8"
Qty. 2



Note: Press the switch button to turn on the LED light controller before using the grill. Press it again to turn off the LED light controller to save battery power when the grill is not in use.

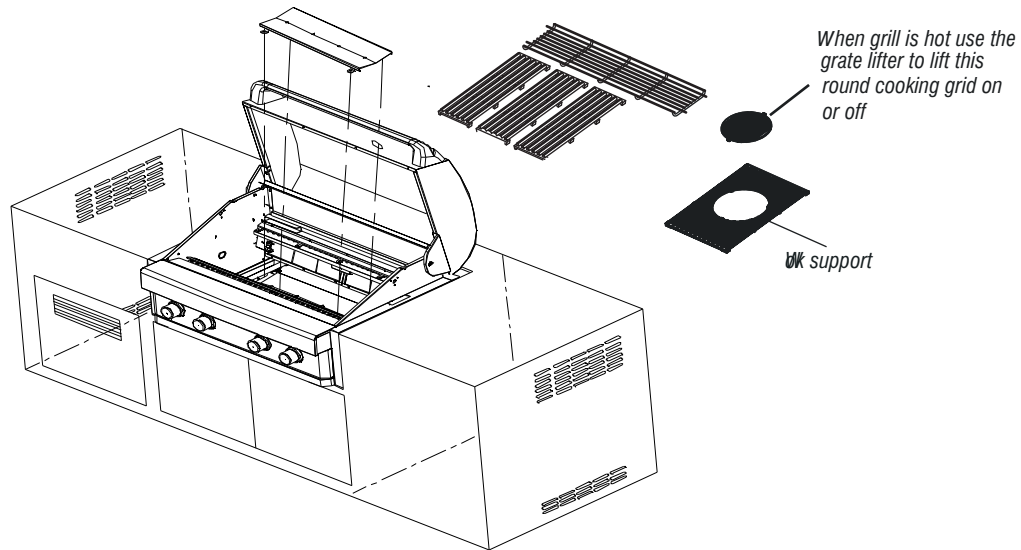


③ Install gas cylinder



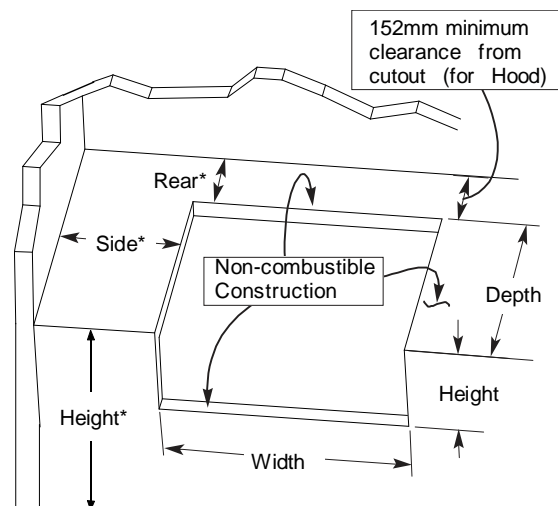
⚠ LEAK CHECK GAS CONNECTIONS

④ Install grease tray heat shield and cooking components.

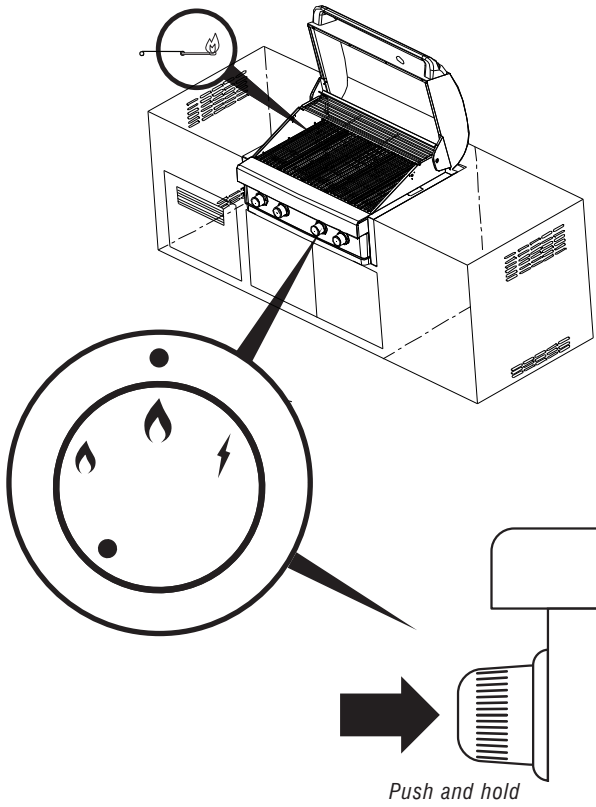


CAUTION: Refer to this table when designing the island unit for the grill. Side* and Rear* show the minimum amount of distance the unit must be from combustibles (ex. Vinyl or wood siding, fences and overhangs) or sources of ignition (ex. Pilot lights on water heaters and live electrical appliances). Height* shows the minimum height the island unit must be starting from the ground up.

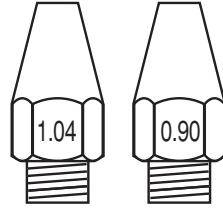
Model	Height	Width	Depth	Side*	Rear*	Height*
OD3208S 30/50mbar	273mm	854 mm	533mm	356mm	610mm	737mm



LIGHT BARBECUE WITH MATCH



INJECTOR



1.04 mm – I 3+ (28-30/37)
 – I 3B/P (30)
 0.90 mm – I 3B/P (50)

INPUT

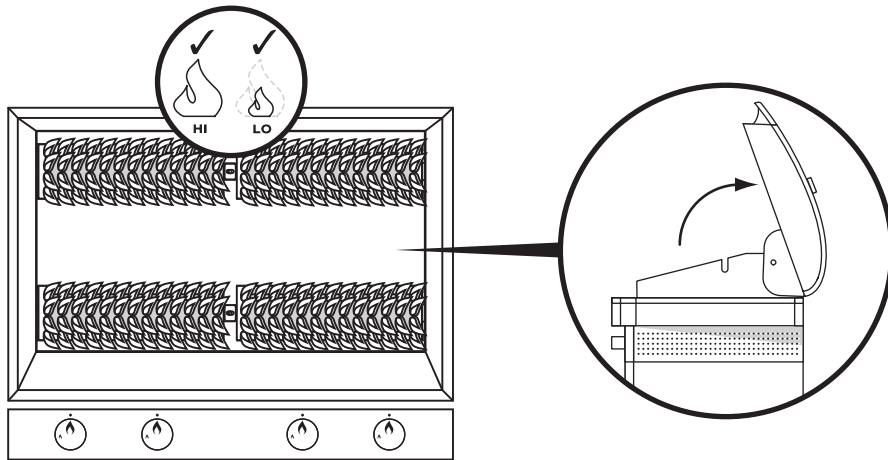
18.4 kW – 1335 grams / h

WWW

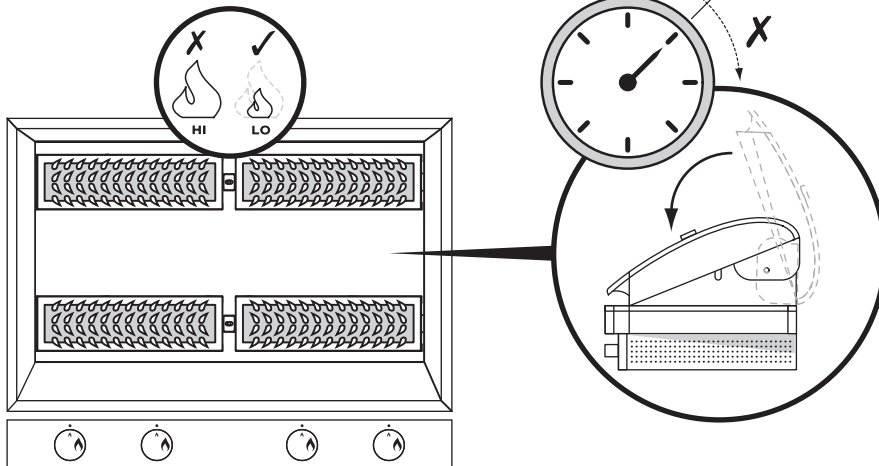
NOTE:

Register your Outdoor Kitchen at www.grandhall.eu
 For Tips and Tricks, visit www.grandhall.eu/tips

COOKING WITH HOOD OPEN



COOKING WITH HOOD DOWN

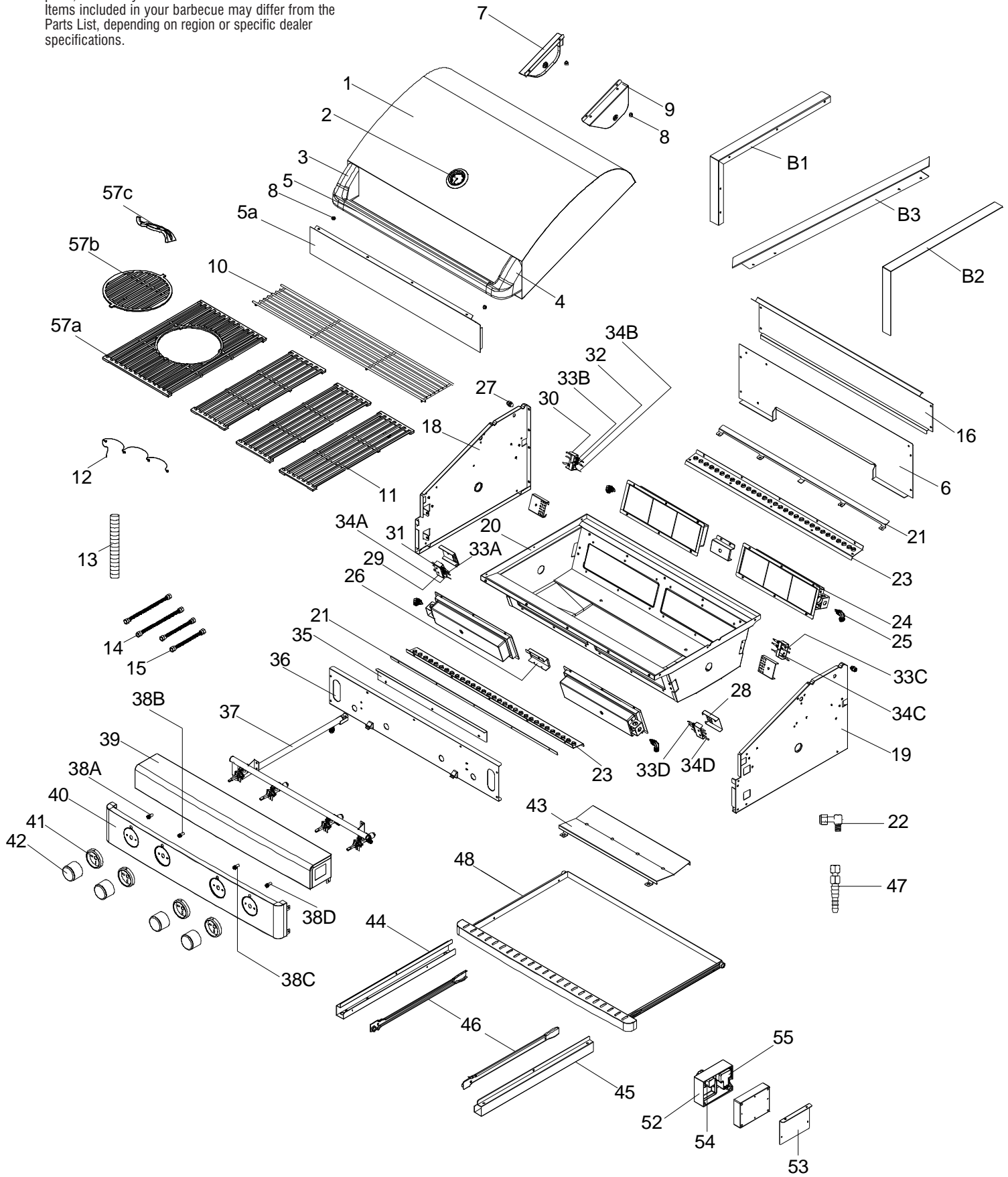


PARTS LIST

<i>Ref</i>	<i>Description</i>	<i>Part #</i>	<i>Qty</i>	<i>Ref</i>	<i>Description</i>	<i>Part #</i>	<i>Qty</i>
1	Hood	P00147319B	1	34b	Electrode – LR	P02618047A	1
2	Temperature gauge	P00601381B	1	34c	Electrode – RR	P02618048A	1
3	Hood handle bracket – left	P00307028E	1	34d	Electrode – RF	P02618049A	1
4	Hood handle bracket – right	P00308028E	1	35	Heat shield bracket	P0300612FD	1
5	Hood handle	P00215036H	1	36	Control panel heat shield	P03008186B	1
5a	Hood handle heat shield	P06917003A	1	37	Gas valve / manifold assembly – 30 mbar	Y0060711	1
6	Bowl panel, rear/lower	P0075801AB	1		– 50 mbar	Y0060712	1
7	Hood assembly bracket – left	P03320007H	1	37-1	Gas valve – 30 mbar, left	P03246014A	2
8	Protective pad – front / rear	P05518002I	4		– 50 mbar, left	P03246015A	2
9	Hood assembly bracket – right	P03320008H	1	37-2	Gas valve – 30 mbar, right	P03246018A	2
10	Warming / secondary cooking rack	P015160282	1		– 50 mbar, right	P03246019A	2
11	Cooking grids	P01615038H	3	37-3	Manifold – CE	P05005431G	1
12	Electrode wire – 4 contact	P02627007A	1	38a	LED with wire – LR, 1120 mm,	P02615155A	1
13	Earth wire protector	P055330043	1	38b	LED with wire – LF, 950 mm	P02615156A	1
14	Gas connection hose – rear	P03702037D	2	38c	LED with wire – RF, 710 mm	P02615157A	1
15	Gas connection hose – front	P03702038D	2	38d	LED with wire – RR, 560 mm	P02615158A	1
16	Bowl panel – rear upper	P00737389A	1	39	Control panel upper – 30 mbar	P02915341A	1
18	Bowl side panel – left	P0072094JA	1		– 50 mbar	P02915341B	1
19	Bowl side panel – right	P0072195JA	1	40	Control panel	P02915414U	1
20	Bowl	P0071367JA	1	41	Control knob seat	P03439024A	4
21	Grease shield – upper	P06902126C	2	42	Control knob	P03436043V	4
22	Right angel adaptor - 1/4"LH	P03902019A	1	43	Grease tray heat shield	P06903069A	1
23	Grease shield – lower	P06902127C	2	44	Grease tray slide set bracket - left	P03328069D	1
24	Infrared burner assembly	P02005024F	4	45	Grease tray slide set bracket - right	P03328070D	1
25	Gas jet with fitting – 30 mbar	P06539022A	4	46	Grease tray slide set	P05516140M	1
	– 50 mbar	P06539023A	4	47	Universal hose barb	P03901024A	1
26	Gas collector box (cross lighter)	P02212377A	2	48	Grease tray	Y0270021	1
27	Hood hinge set	P05501136L	2	52	Control box	P05545005M	1
28	Thermocouple protector	P03343017C	4	53	Control box bracket	P03343022U	1
29	Thermocouple bracket – LF / RR	P03327082C	2	54	LED light controller	P05357013B	1
30	Thermocouple bracket – RF / LR	P03327083C	2	55	Electronic igniter – 4 port	P02502344C	1
31	Thermocouple for gas valve – front	P05305054B	2	57a	Wok support	P01617001H	1
32	Thermocouple for gas valve – rear	P05305055B	2	57b	Round cooking grid	P01617002H	1
33a	Thermocouple for LED – LF	P05305056B	1	57c	Grate lifter	P05515014E	1
33b	Thermocouple for LED – LR	P05305057B	1	B1	Trim panel - left	P07901033D	1
33c	Thermocouple for LED – RR	P05305058B	1	B2	Trim panel - right	P07901034D	1
33d	Thermocouple for LED – RF	P05305059B	1	B3	Trim panel - rear	P07901035D	1
34a	Electrode – LF	P02618046A	1				

PARTS DIAGRAM

This diagram is provided to assist you identify parts if replacement is necessary. Contact your place of purchase or the manufacturer to enquire about parts, availability and or service. Items included in your barbecue may differ from the Parts List, depending on region or specific dealer specifications.



NOTES

SERVICE

service@grandhall.eu

Grand Hall Europe
PO Box 431
7570 AK Oldenzaal
The Netherlands

T: +31 (0) 541 531669
F: +31 (0) 541 534563

www.grandhall.eu

All specifications are subject to change
without notice.

Toutes les caractéristiques sont susceptibles
d'être modifiées sans préavis.

Änderungen ohne vorherige Bekanntgabe
vorbehalten.

Tutti i dati tecnici possono cambiare
senza preavviso.

Alle specificaties kunnen zonder voorafgaande
kennisgeving worden gewijzigd.

Kaikki oikeudet teknisten tietojen
muutoksiin pidätetään.

Kaikki yksityiskohdat voivat muuttua ilman,
että niistä erikseen ilmoitetaan.

Todas las especificaciones están sujetas a
cambios sin previo aviso.

Todas as especificações estão sujeitas a
alteração sem aviso.

Alle specificationer kan ændres foruden varsel.

Spesifikasjoner kan endres uten varsel.

Wszystkie specyfikacje mogą ulec zmianie
bez uprzedzenia.

Manufacturer:

Grand Hall Enterprises Co. Ltd.
9th Fl. No 298 Rueiguang Rd
Neihu, Taipei, Taiwan

P80184018A Printed 12/2009

US Patented No.: 7,475,632
Europe Patent Pending
Australia Patent No.:2006100635
Germany Patent No.:202006012212.5
France Patent No.:0607231
UK Patent No.:GB2440714
China Patent No.:960361

(IE) (GB) NOTE: This information is a guide only. Items included in your BBQ
specification may differ depending on region or specific dealer specification.

(CH) (FR) NOTE: Ces renseignements sont donnés à titre indicatif. Il est possible
que les articles inclus dans les spécifications de votre barbecue diffèrent
selon la région ou les caractéristiques stipulées par le concessionnaire.

(AT) (CH) (DE) ANMERKUNG: Diese Anleitung dient nur zu Informationszwecken.
Einzelteile der Grillspezifikation sind unter Umständen verschieden
entsprechend der Vertriebsregion oder bestimmten Händleranforderungen.

(CH) (IT) AVVERTENZA: Queste informazioni hanno il valore di guida soltanto.
Gli articoli compresi nelle caratteristiche tecniche del barbecue potrebbero
variare a seconda della regione o del concessionario.

(LU) (BE) (NL) ATTENTIE: Deze informatie is alleen bedoeld als gids. Onderdelen in uw
BBQ specificatie en pakket kunnen per regio of per dealer verschillen.

(SE) ANM.: Denna information är endast avsedd som handledning.
Specifikationerna för grillen kan variera regionalt eller beroende på de
krav som olika återförsäljare har.

(FI) HUOMATKAA: Nämä tiedot ovat pelkästään suuntaa antavia.
Ostamanne grillin yksityiskohdat voivat olla erilaiset paikkakunnan tai
erityisten myyjäkohtaisten yksityiskohtien mukaan.

(ES) NOTA: Esta información es una guía únicamente. Es posible que las
indicaciones incluidas en las especificaciones de su Asador sean diferentes
según la región o las especificaciones específicas del representante.

(PT) NOTA: Esta informação é simplesmente um guia. Os itens incluídos na
especificação do seu BBQ poderão diferir dependendo da especificação
da região ou do vendedor específico.

(DK) NB: Denne information er kun vejledende. Specifikationer kan variere
efter ønske fra forhandler, eller i henhold til nationale regler.

(NO) NB: Denne informasjon er kun veiledende. Spesifikasjoner kan variere
som stipulert av forhandler, eller i henhold til nasjonale krav.

(PL) UWAGA: Informacje te służą jedynie, jako wskazówki. Elementy
wchodzące w skład specyfikacji twojego grilla mogą się różnić w
zależności od rejonu lub szczególnych specyfikacji dealera.