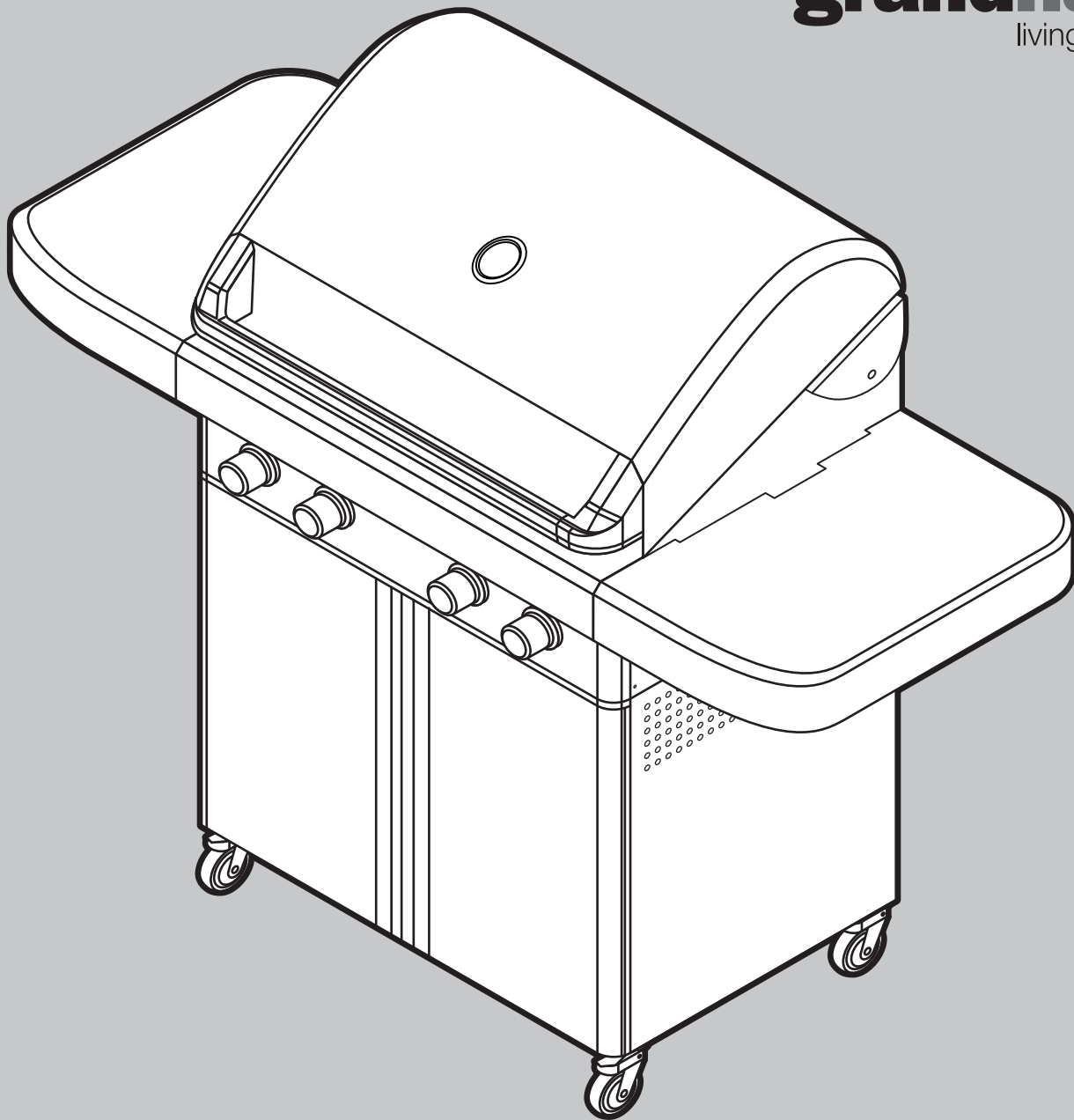


# OUTDOOR KITCHEN

# Odeon

**grandhall**  
living style



- |                               |                             |           |                          |
|-------------------------------|-----------------------------|-----------|--------------------------|
| <b>IE</b> <b>GB</b>           | Assembly instructions       | <b>FI</b> | Kokoamisohjeet           |
| <b>CH</b> <b>FR</b>           | Instructions d'assemblage   | <b>ES</b> | Instrucciones de armado  |
| <b>AT</b> <b>CH</b> <b>DE</b> | Montageanweisungen          | <b>PT</b> | Instruções para Montagem |
| <b>CH</b> <b>IT</b>           | Istruzioni per il montaggio | <b>DK</b> | Monteringsvejledning     |
| <b>LU</b> <b>BE</b> <b>NL</b> | Montage-instructies         | <b>NO</b> | Montering                |
| <b>SE</b>                     | Montering                   | <b>PL</b> | Instrukcje               |

**CE** 0087

**ASSEMBLY**

**CAUTION:** While possible for one person to assemble this barbecue, it is recommended obtaining assistance from a second person when handling some of the larger heavier pieces.

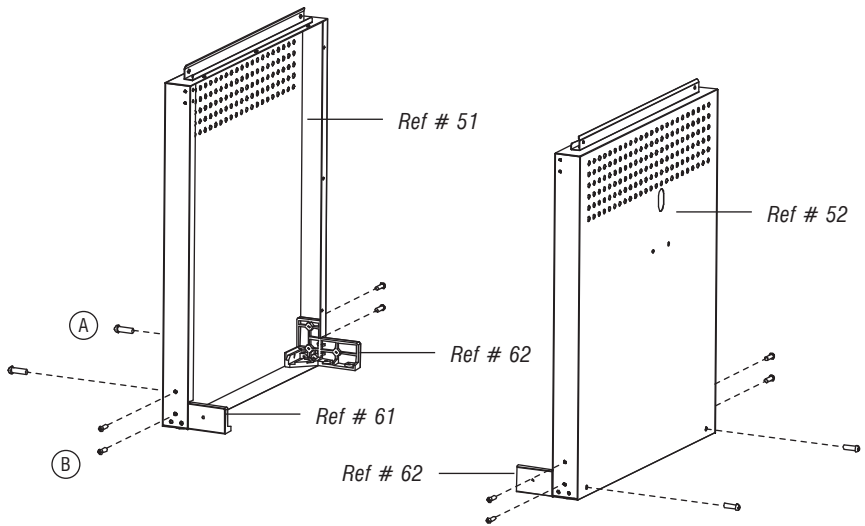
① Install castor seats.



Pan-head screw 1/4" x 3/8"  
Qty. 4



Pan-head screw 3/16" x 3/8"  
Qty. 8



② Install trolley side panels and door guide to trolley bottom panel.



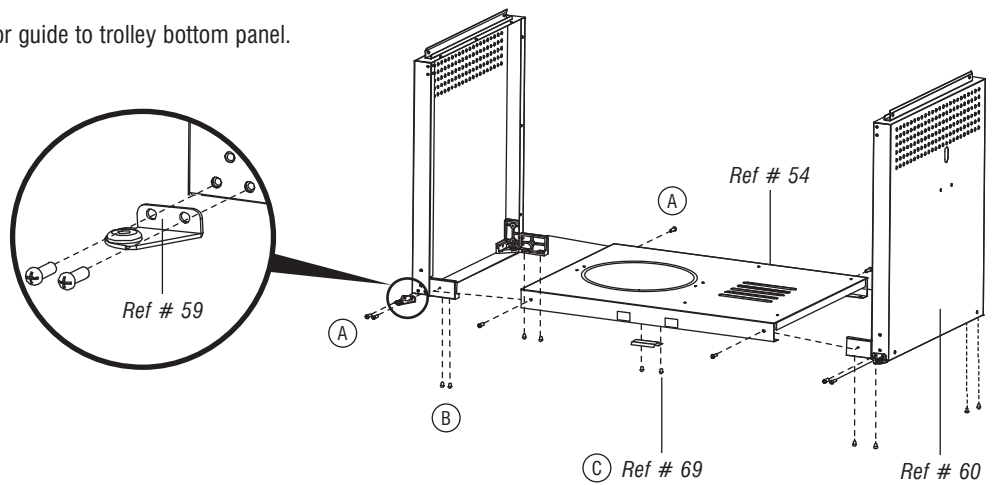
Pan-head screw 3/16" x 3/8"  
Qty. 8

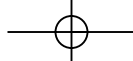


Pan-head screw 1/4" x 3/8"  
Qty. 8



Pan-head screw 3/16" x 3/8"  
Qty. 2

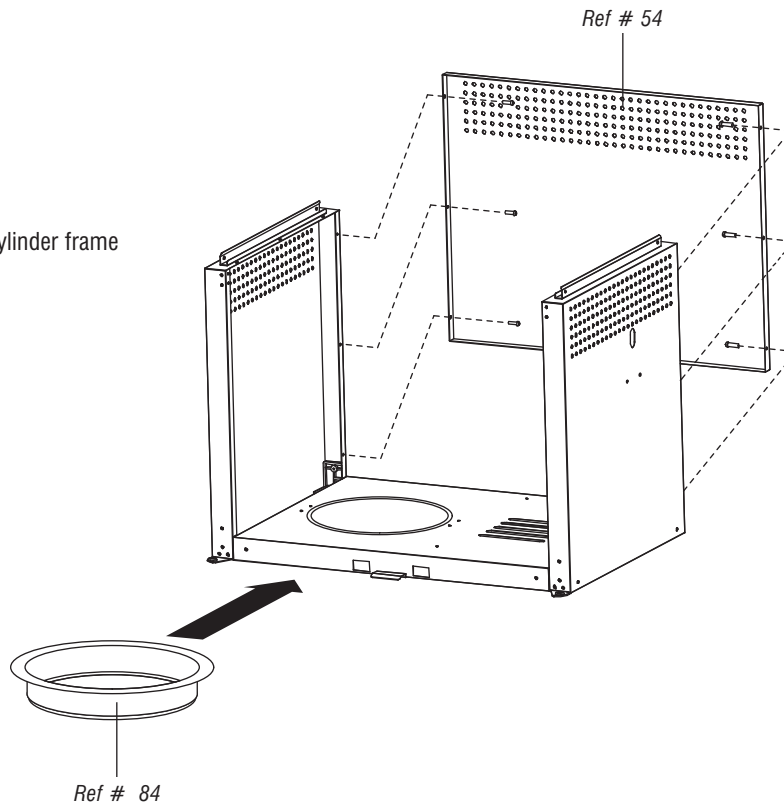




③ Install trolley rear panel and gas cylinder frame



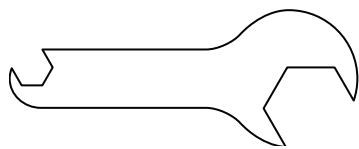
Pan-head screw  $\frac{3}{16}$ " x  $\frac{3}{8}$ "  
Qty. 6



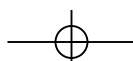
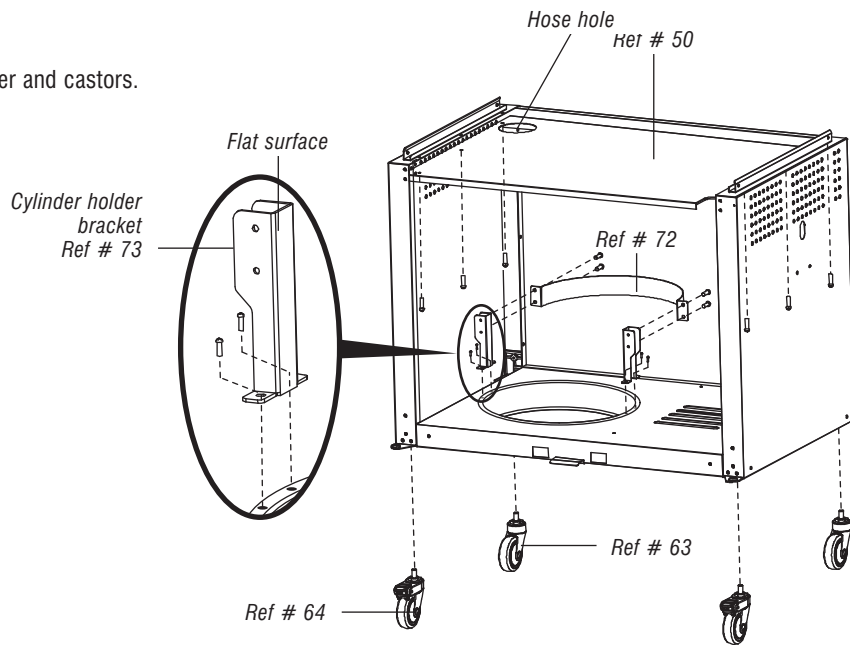
④ Install trolley top panel, gas cylinder holder and castors.

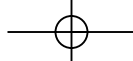


Pan-head screw  $\frac{3}{16}$ " x  $\frac{3}{8}$ "  
Qty. 14



Wrench  
Qty. 1



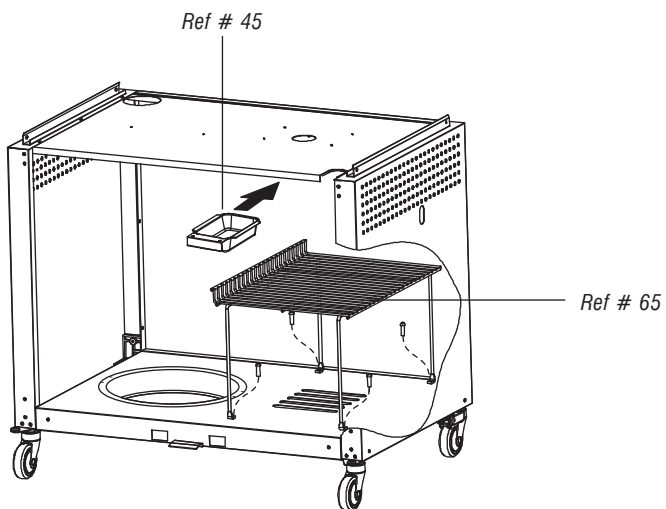


⑤ Install trolley shelf and grease receptacle.



Stainless steel

Pan-head screw  $\frac{3}{16}$ " x  $\frac{1}{2}$ "  
Qty. 4



⑥ Install grill bowl, control box and trolley front bracket.



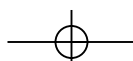
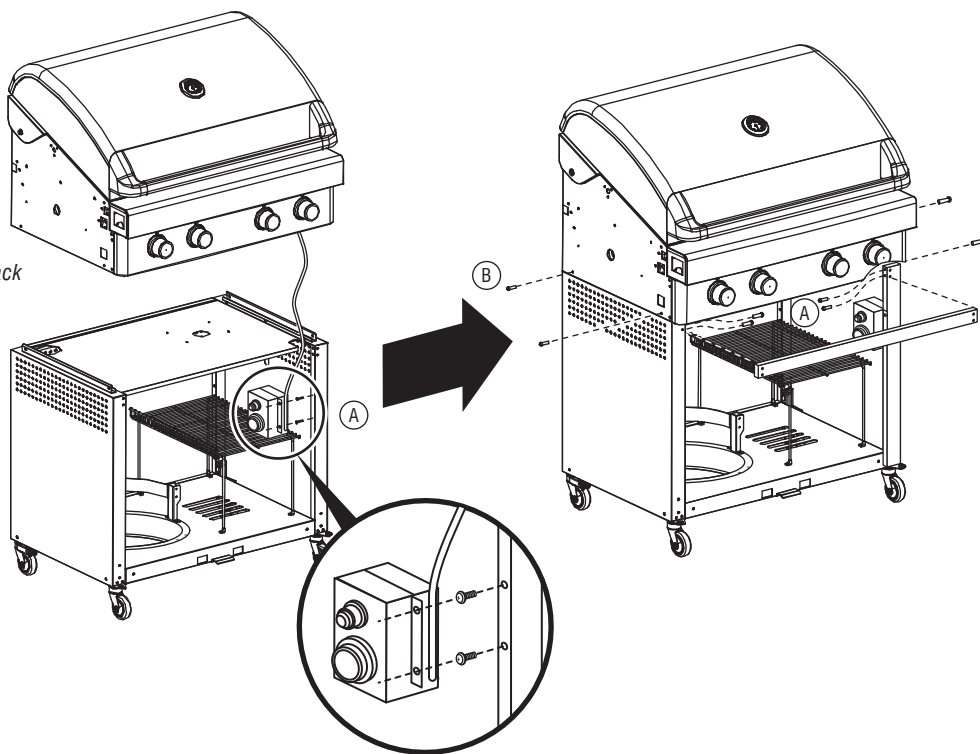
(A) Black

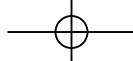
Pan-head screw  $\frac{3}{16}$ " x  $\frac{3}{8}$ "  
Qty. 6



(B) Black

Pan-head screw  $\frac{3}{16}$ " x 1"  
Qty. 4

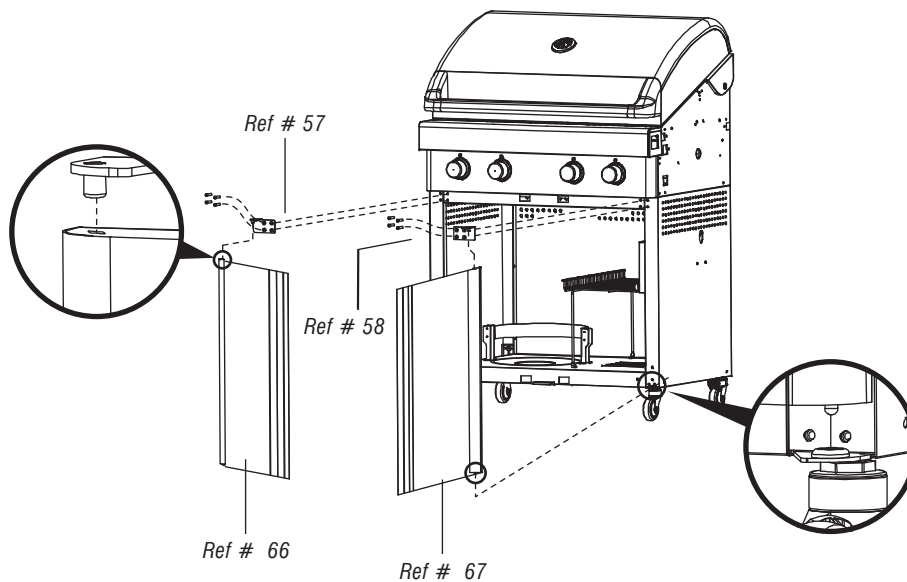




⑦ Install doors and door upper brackets.



Pan-head screw  $\frac{3}{16}$ " x  $\frac{3}{8}$ "  
Qty. 8



⑧ Install side shelves.



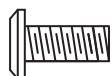
Ⓐ Black

Pan-head screw  $\frac{3}{16}$ " x 1"  
Qty. 8



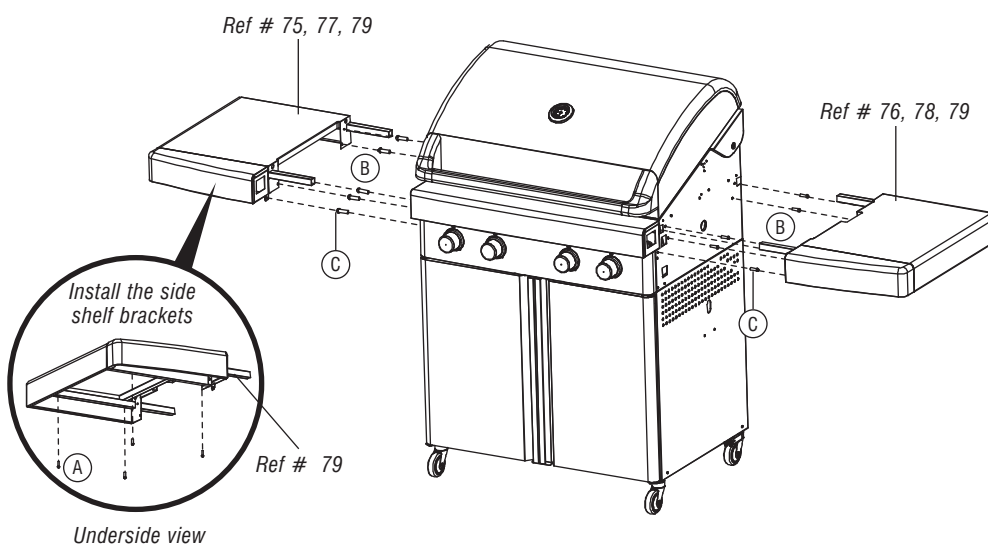
Ⓑ Black

Pan-head screw  $\frac{3}{16}$ " x  $\frac{3}{8}$ "  
Qty. 8

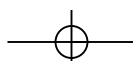
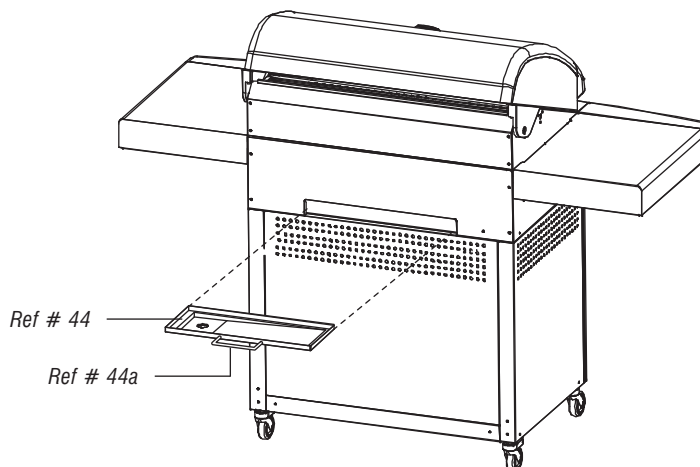


Ⓒ Stainless steel

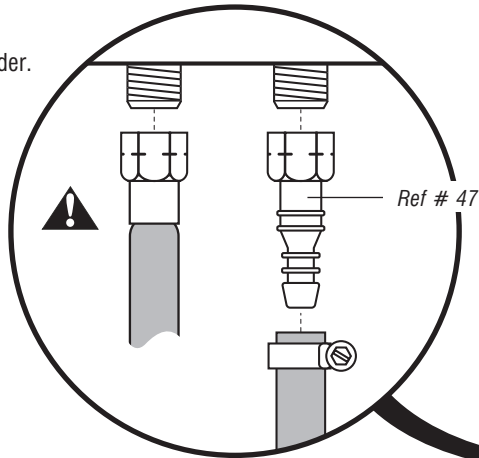
Pan-head screw  $\frac{3}{16}$ " x  $\frac{1}{2}$ "  
Qty. 2



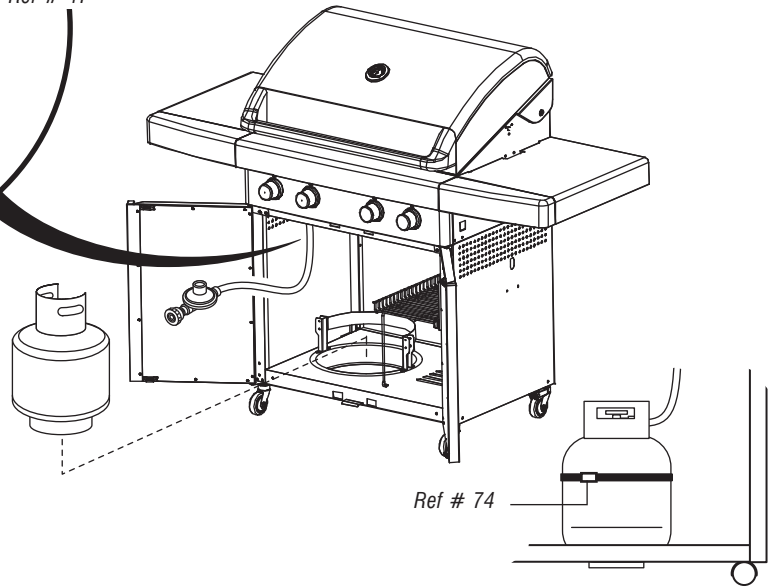
⑨ Install grease tray and grease tray heat shield.



10 Install gas cylinder.



**LEAK CHECK GAS CONNECTIONS**



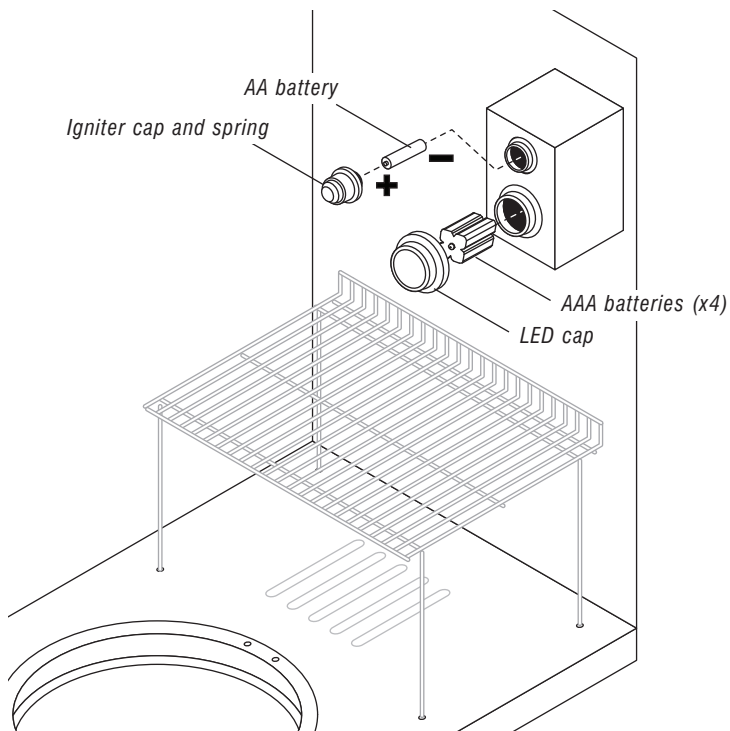
**WARNINGS INFORMATION**

- (GB)** DO NOT OBSTRUCT THE VENTILATION OPENINGS IN THE TROLLEY.
- (FR)** NE PAS BOUCHER LES OUVERTURES DE VENTILATION DANS LE CHARIOT.
- (DE)** NICHT DIE VENTILATIONSÖFFNUNGEN IM WAGEN BLOCKIEREN.
- (IT)** NON OSTRUIRE LE APERTURE DI VENTILAZIONE DEL CARRELLO.

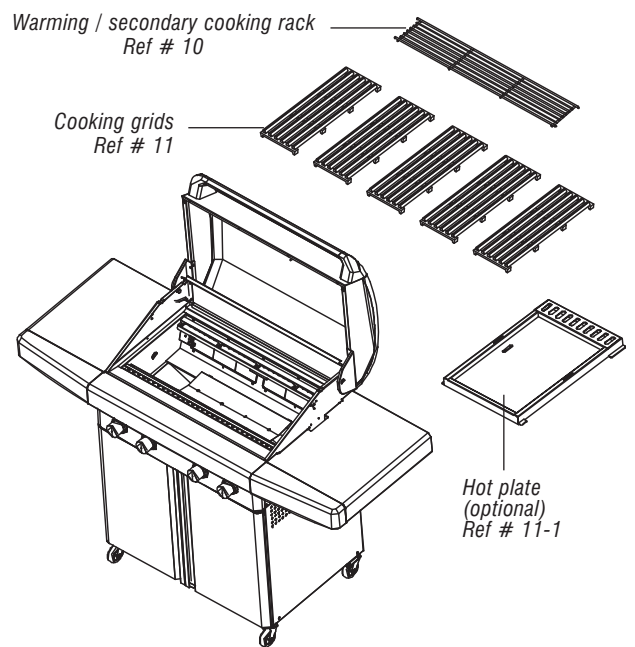
- (NL)** DE VENTILATIEOPENINGEN IN DE TROLLEY NIET BLOKKEREN.
- (SE)** BLOCKERA EJ VENTILATIONSHÅLEN I GRILLBAREN.
- (FI)** KÄRRYN TUULETUSAUKKOJA EI SAA PEITTÄÄ.
- (ES)** NO OBSTRUYA LAS ABERTURAS DE VENTILACION DEL CARRITO.

- (PT)** NÃO OBSTRUA AS ABERTURAS DE VENTILAÇÃO NO TROLEI.
- (DK)** VENTILATIONSÅBNINGEN I TROLLEYEN MÅ IKKE SPÆRRES.
- (NO)** VENTILASJONSÅPNINGENE PÅ TRALLEN MÅ IKKE TILDEKES.
- (PL)** NIE BLOKOWAĆ OTWORÓW WENTYLACYJNYCH NA WÓZKU

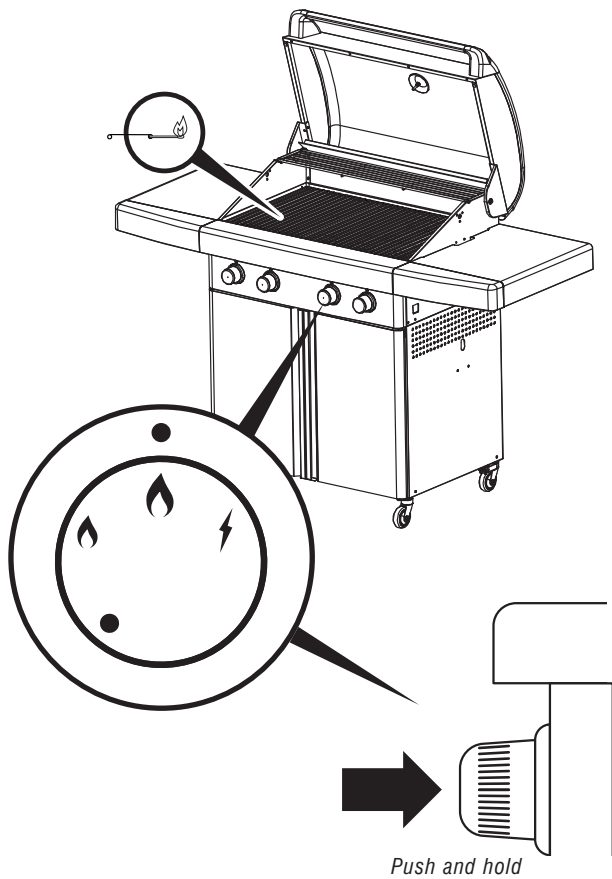
**IGNITION AND LED BATTERY**



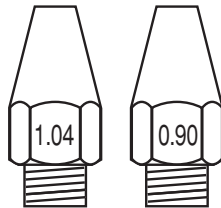
**COOKING COMPONENT INSTALLATION**



**LIGHT BARBECUE WITH MATCH**



**INJECTOR**



1.04 mm - I 3+ (28-30/37)  
 - I 3B/P (30)  
 0.90 mm - I 3B/P (50)

**INPUT**

18.4 kW - 1335 grams / h

**WWW**

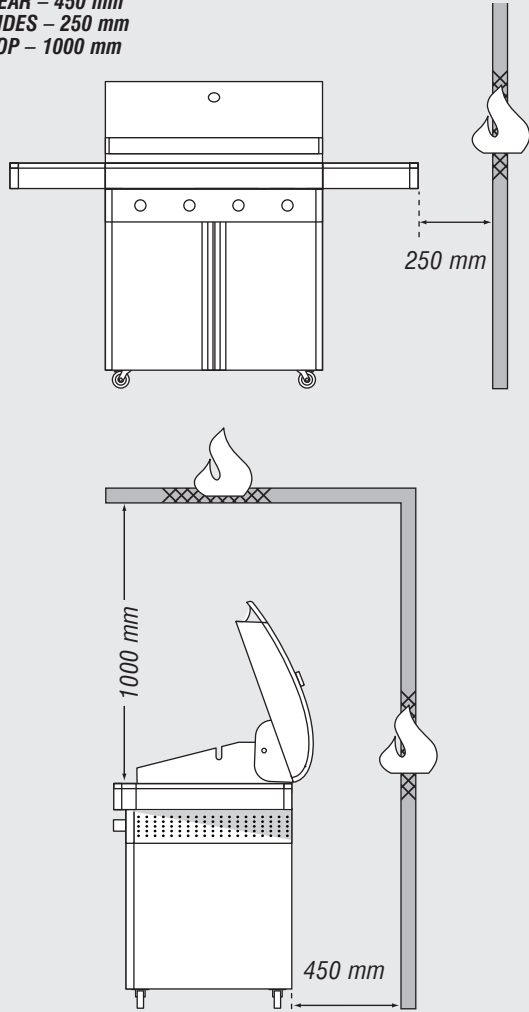
**NOTE:**

Register your Outdoor Kitchen at [www.grandhall.eu](http://www.grandhall.eu)  
 For Tips and Tricks, visit [www.grandhall.eu/tips](http://www.grandhall.eu/tips)

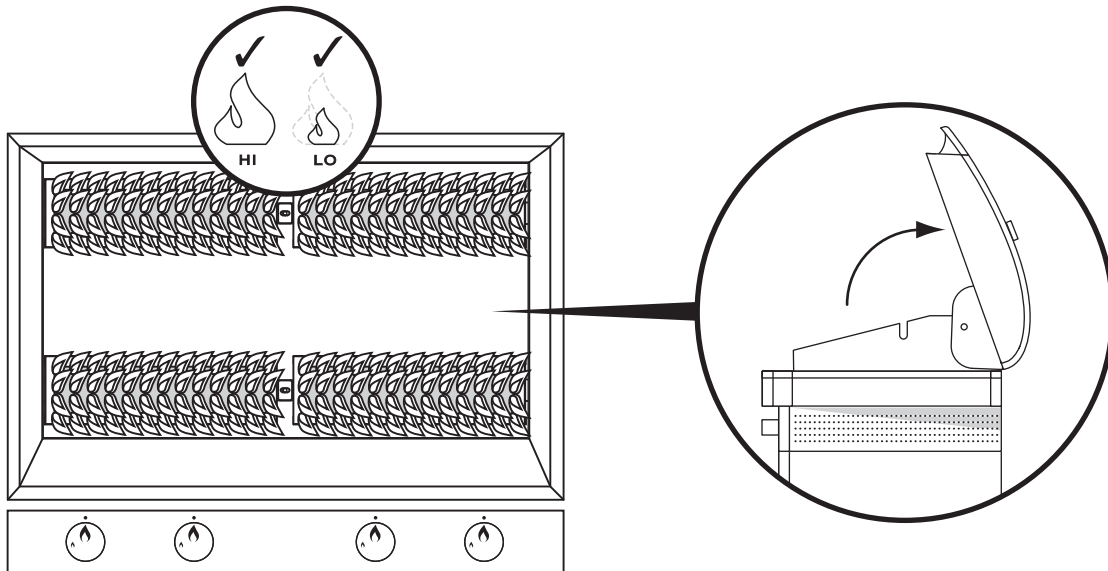


**WARNINGS INFORMATION**

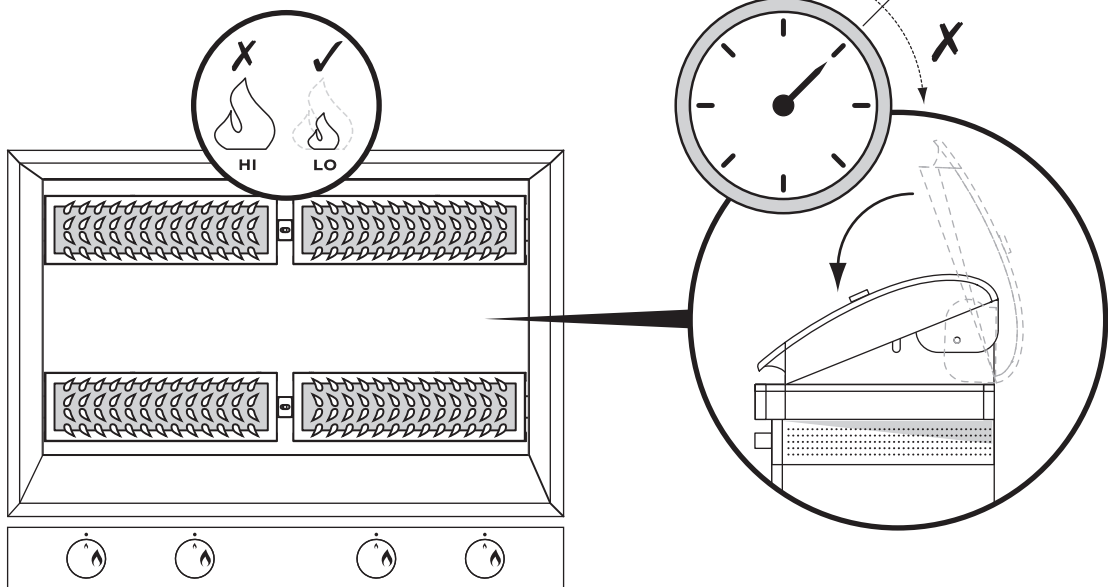
- **MINIMUM CLEARANCES FROM COMBUSTIBLE MATERIALS MUST BE:**  
 REAR - 450 mm  
 SIDES - 250 mm  
 TOP - 1000 mm



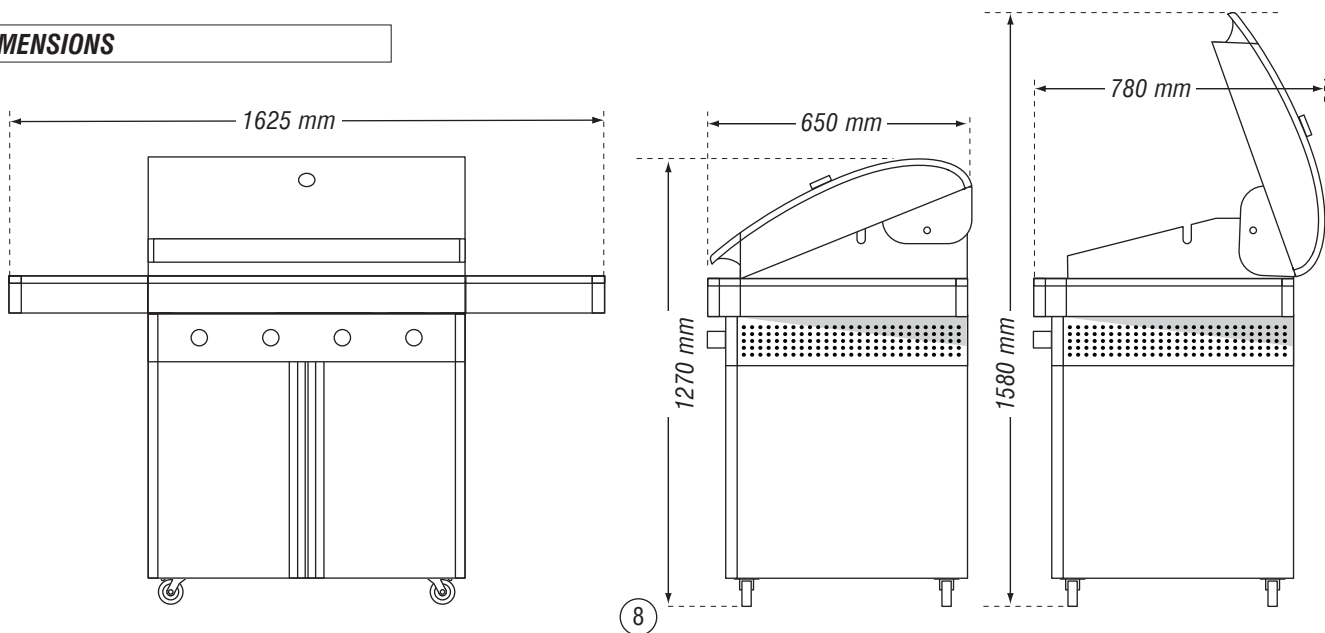
**COOKING WITH HOOD OPEN**

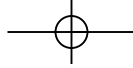


**COOKING WITH HOOD DOWN**

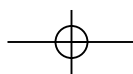
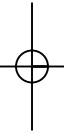


**DIMENSIONS**





**NOTES**

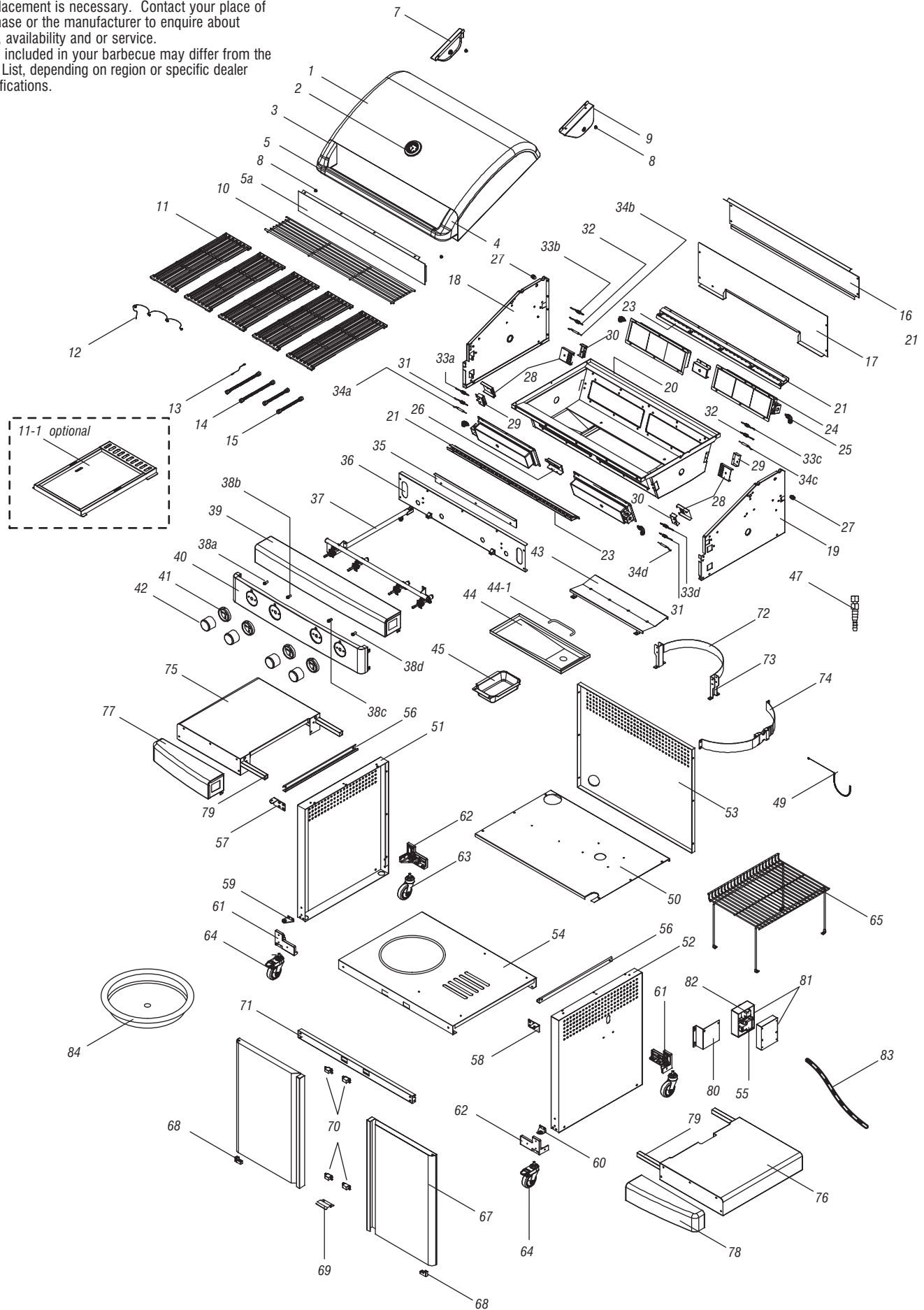


**PARTS LIST**

<b>Ref</b>	<b>Description</b>	<b>Part #</b>	<b>Qty</b>	<b>Ref</b>	<b>Description</b>	<b>Part #</b>	<b>Qty</b>
1	Hood – white – black	P00147319Z P00147319B	1 1	38a	LED with wire – LR, 1120 mm,	P02515155A	1
2	Temperature gauge	P00601381B	1	38b	LED with wire – LF, 950 mm	P02515156A	1
3	Hood handle bracket – left	P00307028E	1	38c	LED with wire – RF, 710 mm	P02515157A	1
4	Hood handle bracket – right	P00308028E	1	38d	LED with wire – RR, 560 mm	P02515158A	1
5	Hood handle	P00215036H	1	39	Control panel upper – 30 mbar – 50 mbar	P02915251A P02915251B	1 1
5a	Hood handle heat shield	P06917003A	1	40	Control panel	P02915264U	1
7	Hood assembly bracket – left	P03320007H	1	41	Control knob seat	P03439024A	4
8	Protective pad – front / rear	P05518002I	4	42	Control knob	P03436043V	4
9	Hood assembly bracket – right	P03320008H	1	43	Grease tray heat shield	P06903069A	1
10	Warming / secondary cooking rack	P015160282	1	44	Grease tray	P02717615B	1
11	Cooking grids	P01615038H	5	44-1	Grease tray handle	P00213032H	1
11-1	Hot plate (optional)	P05705004B	1	45	Grease receptacle	P02701305G	1
12	Electrode wire – 4 contact	P02627007A	1	47	Universal hose barb	P03901024A	1
13	Earth wire	P02628001H	1	49	Lighting stick	P05507140M	1
14	Gas connection hose – rear	P03702037D	2	50	Gas cylinder heat shield	P01003053D	1
15	Gas connection hose – front	P03702038D	2	51	Trolley panel – left	P07605035B	1
16	Bowl panel – rear upper	P00737369A	1	52	Trolley panel – right	P07606038B	1
17	Bowl panel – rear lower	P0075801AB	1	53	Trolley panel – rear	P07624001B	1
18	Bowl side panel – left	P0072094JA	1	54	Trolley panel – bottom	P01003014D	1
19	Bowl side panel – right	P0072195JA	1	55	Electronic igniter – 4 port	P02502344C	1
20	Bowl	P0071367JA	1	56	Bowl bracket	P03315026D	2
21	Grease shield – upper	P06902126C	2	57	Door hinge bracket – left upper	P03313031D	1
23	Grease shield – lower	P06902127C	2	58	Door hinge bracket – right upper	P03313032D	1
24	Infrared burner assembly	P02005024F	4	59	Door hinge bracket – left lower	P03313033D	1
25	Gas jet with fitting – 30 mbar – 50 mbar	P06539022A P06539023A	4 4	60	Door hinge bracket – right lower	P03313034D	1
26	Gas collector box (cross lighter)	P02212377A	2	61	Castor seat – LF / RR	P05327064H	2
27	Hood hinge set	P05501136L	2	62	Castor seat – RF / LR	P05327065H	2
28	Thermocouple protector	P03343017C	4	63	Castor 3" without brake – rear	P05112026A	2
29	Thermocouple bracket – LF / RR	P03327082C	2	64	Castor 3" with brake – front	P05112027A	2
30	Thermocouple bracket – RF / LR	P03327083C	2	65	Spice basket	P05203012F	1
31	Thermocouple for gas valve – front	P05305054B	2	66	Door assembly – left, white – left, black	P04305061Q P04305061B	1 1
32	Thermocouple for gas valve – rear	P05305055B	2	67	Door assembly – right, white – right, black	P04306031Q P04306031B	1 1
33a	Thermocouple for LED – LF	P05305056B	1	68	Door hinge set	Y0550002	2
33b	Thermocouple for LED – LR	P05305057B	1	69	Door guide plate	P05510137A	1
33c	Thermocouple for LED – RR	P05305058B	1	70	Door magnet	P05523056L	4
33d	Thermocouple for LED – RF	P05305059B	1	71	Trolley door bracket – front upper	P03305072D	1
34a	Electrode – LF, 1400 mm	P02618046A	1	72	Gas cylinder holder	P05359003G	1
34b	Electrode – LR, 1750 mm	P02618047A	1	73	Gas cylinder holder bracket	P04009032C	2
34c	Electrode – RR, 1000 mm	P02618048A	1	74	Gas cylinder fastening strap	P05314002V	1
34d	Electrode – RF, 700 mm	P02618049A	1	75	Side shelf – left	P01102057D	1
35	Heat shield bracket	P0300612FD	1	76	Side shelf – right	P01103047D	1
36	Control panel heat shield	P03008186B	1	77	Side shelf trim plate – left	P07503023A	1
37	Gas valve / manifold assembly – 30 mbar – 50 mbar	Y0060661 Y0060662	1 1	78	Side shelf trim plate – right	P07502031A	1
37-1	Gas valve – 30 mbar, left – 50 mbar, left	P03246014A P03246015A	2 2	79	Side shelf support bracket	P03342015L	4
37-2	Gas valve – 30 mbar, right – 50 mbar, right	P03246018A P03246019A	2 2	80	Control box bracket	P03343018D	1
37-3	Manifold – CE	P05005361H	1	81	Electronic igniter protector	P05545005M	1
				82	LED controller	P05357004B	1
				83	Electronic wire protector	P055330043	1
				84	Gas cylinder frame	P04021011C	1

### PARTS DIAGRAM

This diagram is provided to assist you identify parts if replacement is necessary. Contact your place of purchase or the manufacturer to enquire about parts, availability and or service. Items included in your barbecue may differ from the Parts List, depending on region or specific dealer specifications.



US Patented No.: 7,475,632  
 Europe Patent Pending  
 Australia Patent No.:2006100635  
 Germany Patent No.:202006012212.5  
 France Patent No.:0607231  
 UK Patent No.:GB2440714  
 China Patent No.:960361

**(IE) (GB) NOTE:** This information is a guide only. Items included in your BBQ specification may differ depending on region or specific dealer specification.

**(CH) (FR) NOTE:** Ces renseignements sont donnés à titre indicatif. Il est possible que les articles inclus dans les spécifications de votre barbecue diffèrent selon la région ou les caractéristiques stipulées par le concessionnaire.

**(AT) (CH) (DE) ANMERKUNG:** Diese Anleitung dient nur zu Informationszwecken. Einzelteile der Grillspezifikation sind unter Umständen verschieden entsprechend der Vertriebsregion oder bestimmten Händleranforderungen.

**(CH) (IT) AVVERTENZA:** Queste informazioni hanno il valore di guida soltanto. Gli articoli compresi nelle caratteristiche tecniche del barbecue potrebbero variare a seconda della regione o del concessionario.

**(LU) (BE) (NL) ATTENTIE:** Deze informatie is alleen bedoeld als gids. Onderdelen in uw BBQ specificatie en pakket kunnen per regio of per dealer verschillen.

**(SE) ANM.:** Denna information är endast avsedd som handledning. Specifikationerna för grillen kan variera regionalt eller beroende på de krav som olika återförsäljare har.

**(FI) HUOMATKAA:** Nämä tiedot ovat pelkästään suuntaa antavia. Ostamanne grillin yksityiskohdat voivat olla erilaiset paikkakunnan tai erityisten myyjäkohtaisten yksityiskohtien mukaan.

**(ES) NOTA:** Esta información es una guía únicamente. Es posible que las indicaciones incluidas en las especificaciones de su Asador sean diferentes según la región o las especificaciones específicas del representante.

**(PT) NOTA:** Esta informação é simplesmente um guia. Os itens incluídos na especificação do seu BBQ poderão diferir dependendo da especificação da região ou do vendedor específico.

**(DK) NB:** Denne information er kun vejledende. Specifikationer kan variere efter ønske fra forhandler, eller i henhold til nationale regler.

**(NO) NB:** Denne informasjon er kun veiledende. Spesifikasjoner kan variere som stipulert av forhandler, eller i henhold til nasjonale krav.

**(PL) UWAGA:** Informacje te służą jedynie, jako wskazówki. Elementy wchodzące w skład specyfikacji twojego grilla mogą się różnić w zależności od rejonu lub szczególnych specyfikacji dealera.

# grandhall

living style

## SERVICE

service@grandhall.eu

Grand Hall Europe  
 PO Box 431  
 7570 AK Oldenzaal  
 The Netherlands

T: +31 (0) 541 531669  
 F: +31 (0) 541 534563

www.grandhall.eu

All specifications are subject to change without notice.

Toutes les caractéristiques sont susceptibles d'être modifiées sans préavis.

Änderungen ohne vorherige Bekanntgabe vorbehalten.

Tutti i dati tecnici possono cambiare senza preavviso.

Alle specificaties kunnen zonder voorafgaande kennisgeving worden gewijzigd.

Kaikki oikeudet teknisten tietojen muutoksiin pidätetään.

Kaikki yksityiskohdat voivat muuttua ilman, että niistä erikseen ilmoitetaan.

Todas las especificaciones están sujetas a cambios sin previo aviso.

Todas as especificações estão sujeitas a alteração sem aviso.

Alle specifikationer kan ændres foruden varsel.

Spesifikasjoner kan endres uten varsel.

Wszystkie specyfikacje mogą ulec zmianie bez uprzedzenia.

Manufacturer:

Grand Hall Enterprises Co. Ltd.  
 9th Fl. No 298 Rueiguang Rd  
 Neihu, Taipei, Taiwan