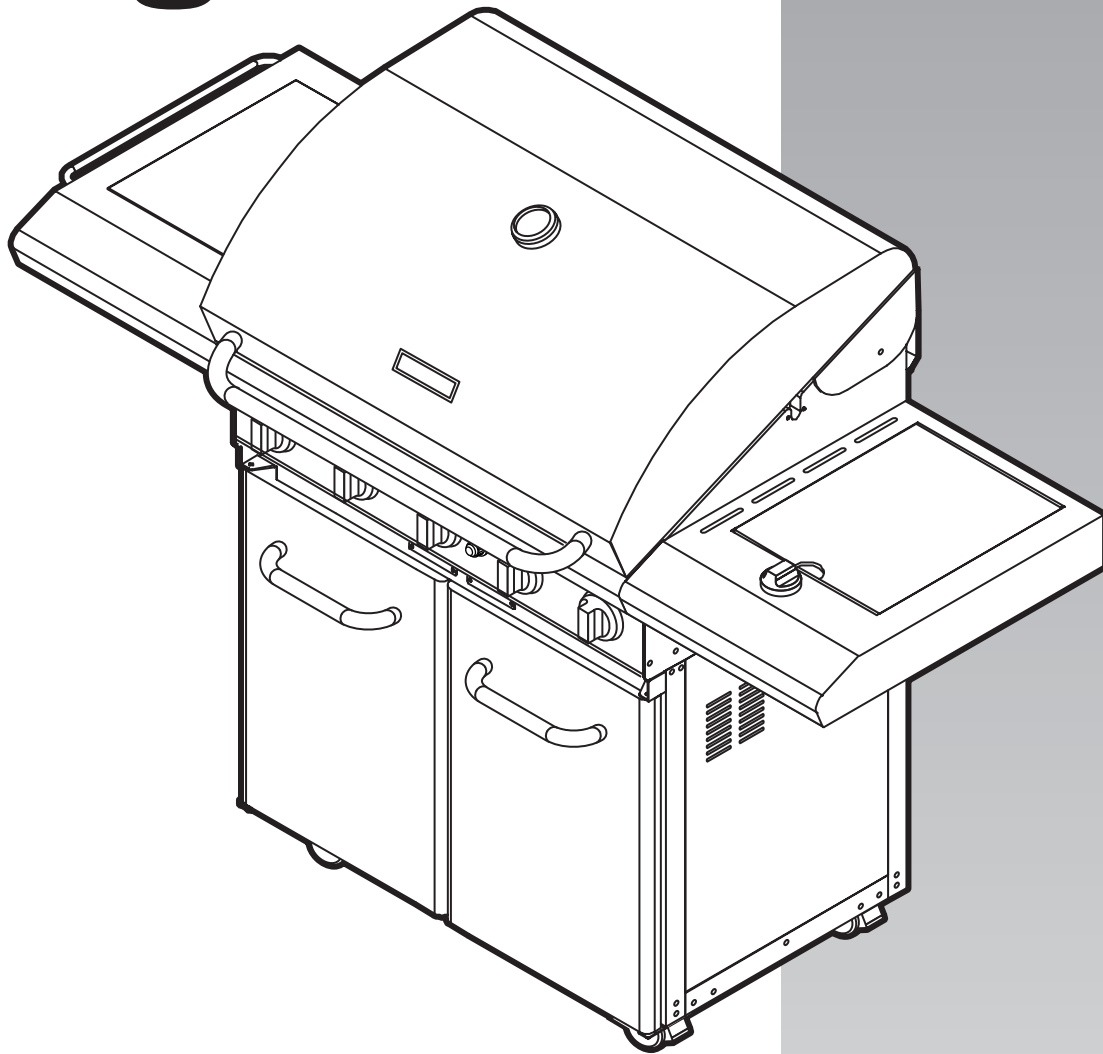


CE

grandhall
outdoor living style

gas barbecue



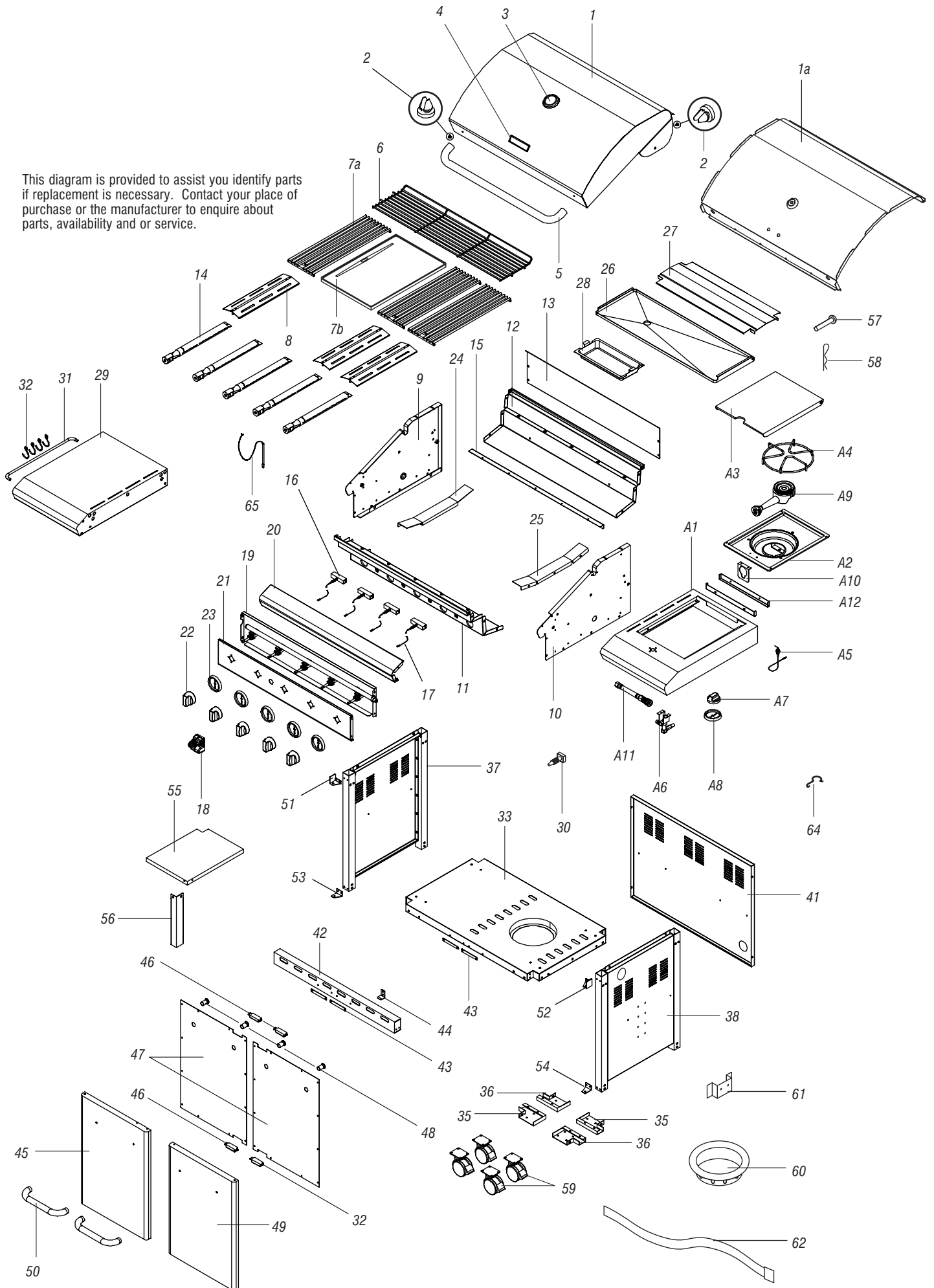
- ⒾⒺ ⒸⒻ Assembly instructions
- ⒸⒽ ⒻⒼ Instructions d'assemblage
- ⒶⒿ ⒸⒽ ⒹⒺ Montageanweisungen
- ⒸⒽ ⒾⒿ Istruzioni per il montaggio
- ⒻⒶ ⒸⒺ ⒼⒻ Montage-instructies
- ⒸⒺ Montering
- ⒻⒾ Kokoamisohjeet
- ⒺⒸ Instrucciones de armado
- ⒻⒿ Instruções para Montagem
- ⒹⒻ Monteringsvejledning
- ⒼⒹ Montering

professional 529

PARTS LIST

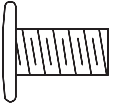
Ref	Description	Part No.	Qty	Ref	Description	Part No.	Qty
1	Hood assembly	P00119146A	1	36	Castor seat – <i>right front / left rear</i>	P05327008G	2
1a	Hood trim plate	P0011409DV	1	37	Trolley legs with side panel – <i>left</i>	P07602006A	1
2	Protective pad	P05518001I	4	38	Trolley legs with side panel – <i>right</i>	P07603014A	1
3	Temperature gauge	P00601011B	1	41	Trolley rear panel	P07701033A	1
4	Hood badge	P00407006S	1	42	Trolley bracket – <i>front</i>	P03306004C	1
5	Hood handle	P00205034B	1	43	Door stop plate	P05510002L	4
6	Cooking rack – <i>fixed</i>	P01506004B	1	44	Door guide plate	P05510006A	1
7a	Grill plate	P01604004B	3	45	Door – <i>left</i>	P04302021A	1
7b	Hot plate	P01702008E	1	46	Door magnet	P05523002K	4
8	Flame tamer	P01705009B	3	47	Door trim plate	P07510003E	2
9	Body panel – <i>left</i>	P00720263C	1	48	Door spacer	P06801010G	4
10	Body panel – <i>right</i>	P00721283C	1	49	Door – <i>right</i>	P04303021A	1
11	Body panel – <i>front</i>	P0073814BC	1	50	Door handle	P00205029B	1
12	Body panel – <i>rear</i>	P0072523BC	1	51	Door hinge bracket – <i>top left</i>	P03314005C	1
13	Body panel – <i>rear wind shield</i>	P00725256C	1	52	Door hinge bracket – <i>top right</i>	P03314006C	1
14	Burner – <i>main</i>	P02008020A	5	53	Door hinge bracket – <i>bottom left</i>	P03314007C	1
15	Burner support bracket	P0221001CA	1	54	Door hinge bracket – <i>bottom right</i>	P03314008C	1
16	Gas collector box with electrode	P02608002A	4	55	Partition panel – <i>left</i>	P07512001D	1
17	Electric wire set	P02615024A	1	56	Partition panel bracket	P03303014J	1
18	Electric igniter – <i>4 port</i>	P02502164C	1	57	Hood hinge pin	P05501016A	2
19	Gas valve / manifold / heat shield assy – <i>30 mbar</i> – <i>50 mbar</i>	Y0060307 Y0060295	1 1	58	Hinge pin clip	P05501010A	2
19a	Manifold	P05008132H	1	59	Castor – <i>3" with brake</i>	P05119001A	4
19b	Jet main burner – <i>30 mbar</i> – <i>50 mbar</i>	P06519023A P06519025A	5 5	60	Frame for gas cylinder	P04021004A	1
19c	Gas valve – <i>without jet</i>	P03222101A	5	61	Gas cylinder bracket	P03327020C	1
19d	Heat shield	P03009033B	1	62	Gas cylinder strap	P05314001V	1
20	Decorative front panel	P07508005D	1	64	Hose retention hook	P05528001E	1
21	Control panel – <i>with screen print</i>	P029076115	1	65	Lighting stick	P05313023B	1
22	Control knob for main burner	P03419123H	5	A1	Side burner frame	P01108008B	1
23	Control knob seat – <i>main / side</i>	P03415263L	6	A2	Side burner body assembly	P02301011B	1
24	Grease tray track – <i>left</i>	P05330006K	1	A3	Side burner lid	P00115346A	1
25	Grease tray track – <i>right</i>	P05330007K	1	A4	Pot support	P00805013B	1
26	Grease draining tray	P02706136A	1	A5	Side burner electrode	P02607005C	1
27	Grease draining tray heat shield	P06903026B	1	A6	Side burner gas valve assembly – <i>30 mbar</i> – <i>50 mbar</i>	Y0060263 Y0060271	1 1
28	Grease receptacle	P02701075B	1	A6a	Jet side burner – <i>30 mbar</i> – <i>50 mbar</i>	P06519022A P06519027A	1 1
29	Side shelf – <i>left</i>	P01106006B	1	A7	Side burner control knob	P03426093L	1
30	Universal hose barb	P03901024A	1	A9	Side burner body with brass burner ring	P02002007A	1
31	Tool holder	P05514008A	1	A10	Side burner bracket	P0221507CA	1
32	Tool hook	P05514053F	4	A11	Side burner connection hose	P03705019J	1
33	Trolley bottom shelf	P01008004C	1	A12	Side burner body bracket	P03306005C	2
35	Castor seat – <i>left front / right rear</i>	P05327007G	2		Hardware pack	P06001044A	1
					Operating instructions	P80140126K	1

This diagram is provided to assist you identify parts if replacement is necessary. Contact your place of purchase or the manufacturer to enquire about parts, availability and or service.

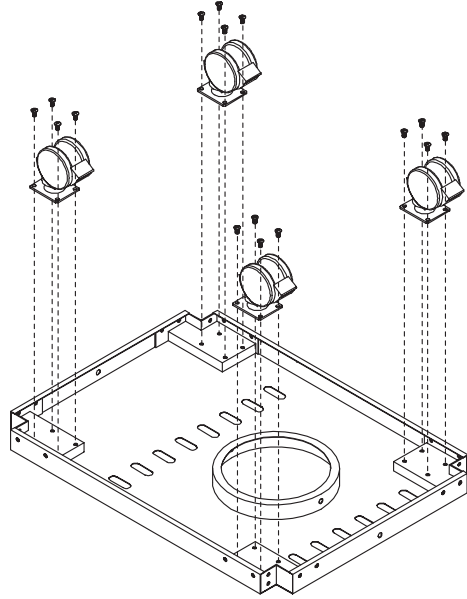


ASSEMBLY

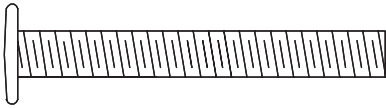
1



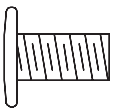
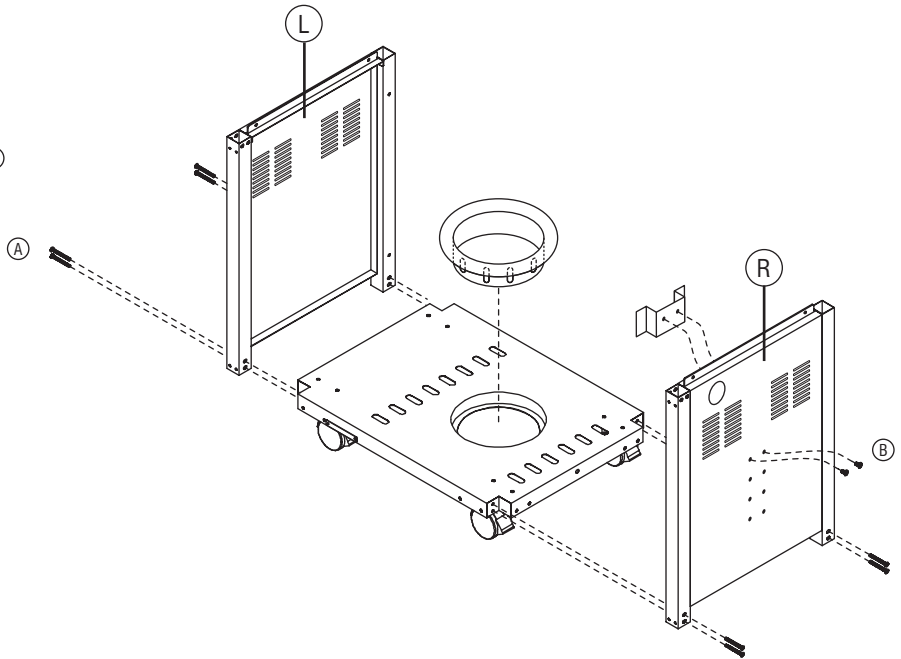
Phillips-head screw 1/4" x 1/2"
Qty. 16



2



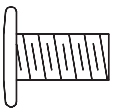
Phillips-head screw 1/4" x 2"
Qty. 8



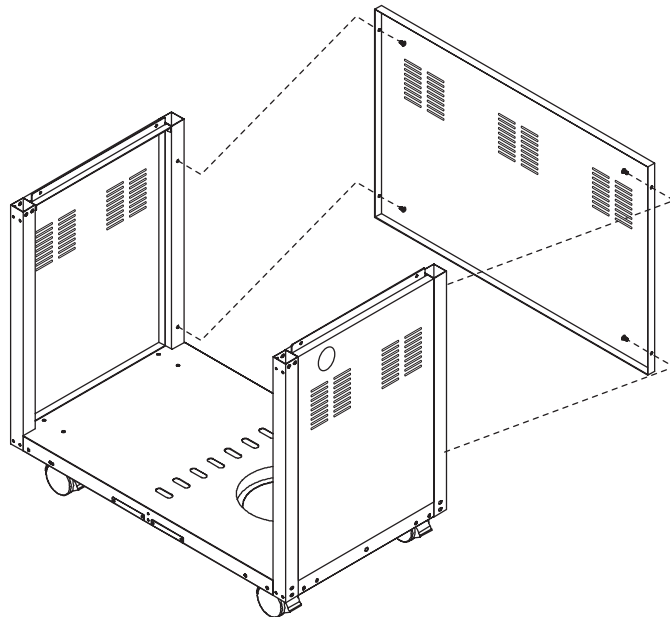
B

Phillips-head screw 1/4" x 1/2"
Qty. 2

3

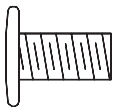


Phillips-head screw 1/4" x 1/2"
Qty. 4

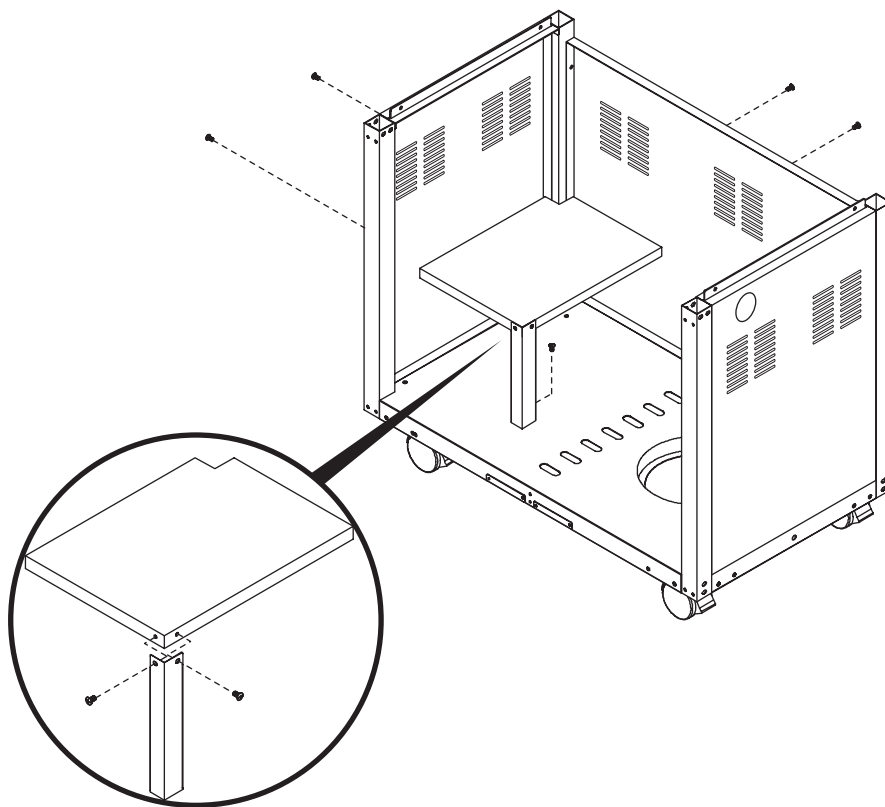


4

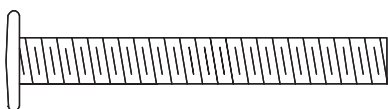
4



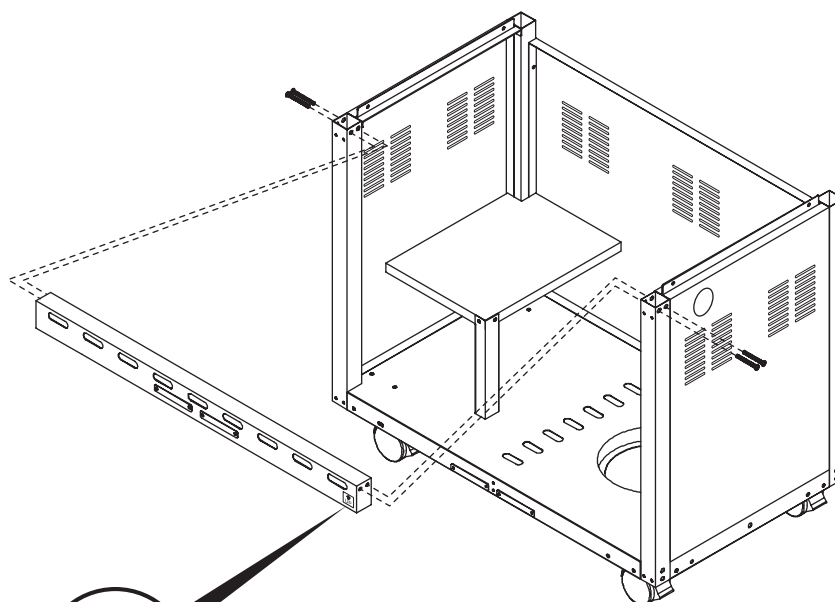
Phillips-head screw $1/4'' \times 1/2''$
Qty. 7



5

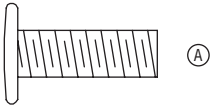


Phillips-head screw $1/4'' \times 2''$
Qty. 4



5

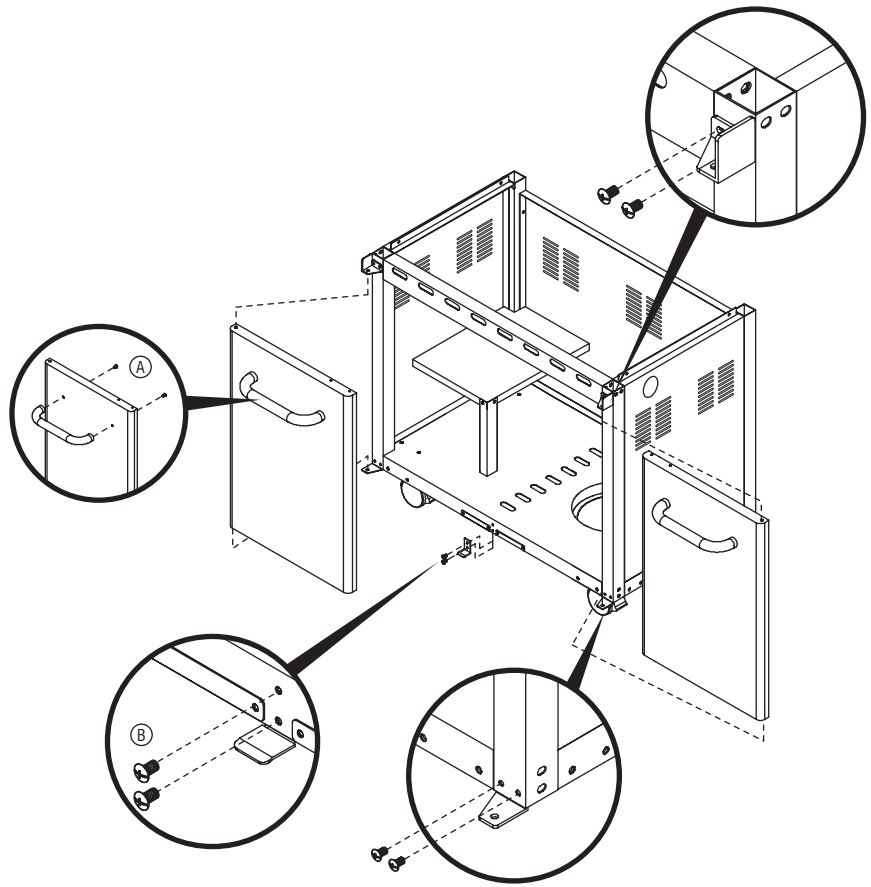
6



Door handles
Phillips-head screw 1/4" x 3/4"
Qty. 4



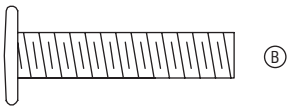
Door hinges, guide plate
Phillips-head screw 3/16" x 3/8"
Qty. 10



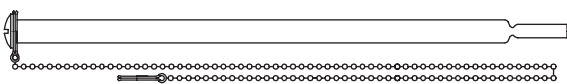
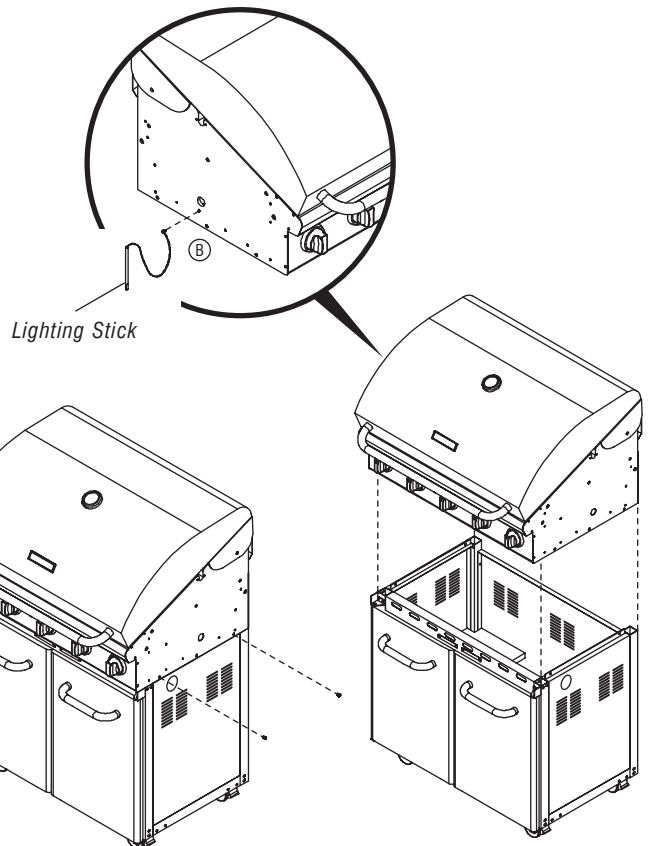
7



Lighting stick to barbecue body
Phillips-head screw M4 x 8 mm
Qty. 1



Barbecue head to trolley
Phillips-head screw 1/4" x 1 3/16"
Qty. 4



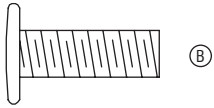
Lighting stick
Qty. 1

6

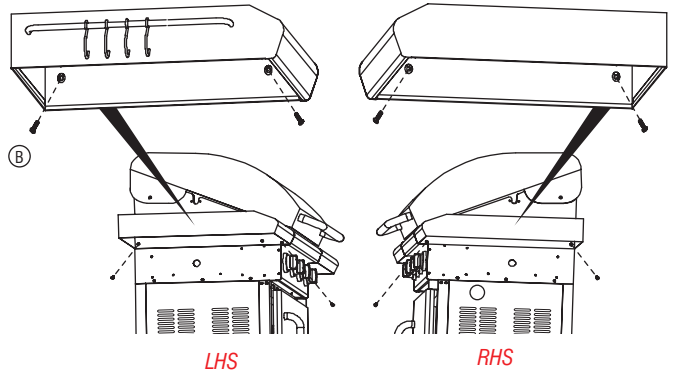
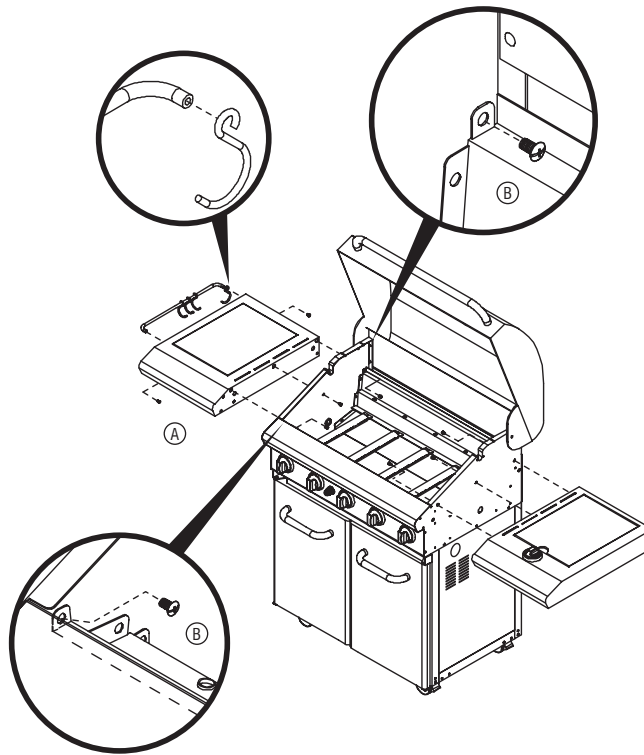
8



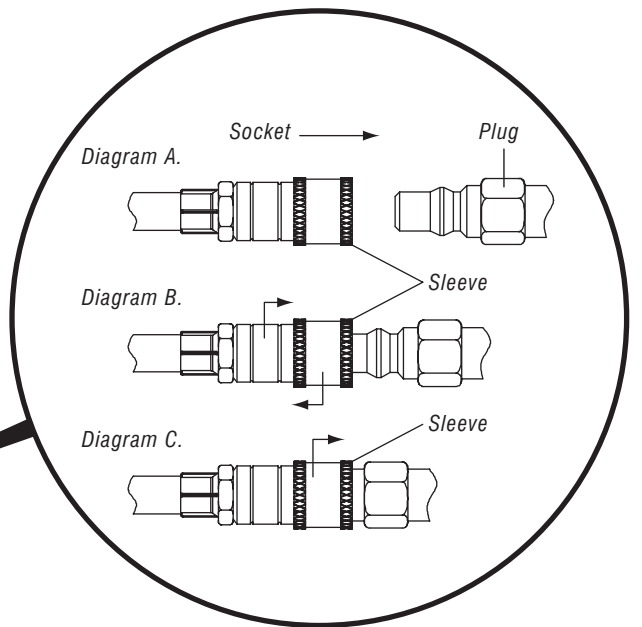
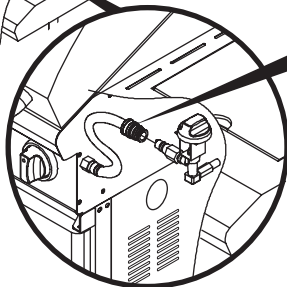
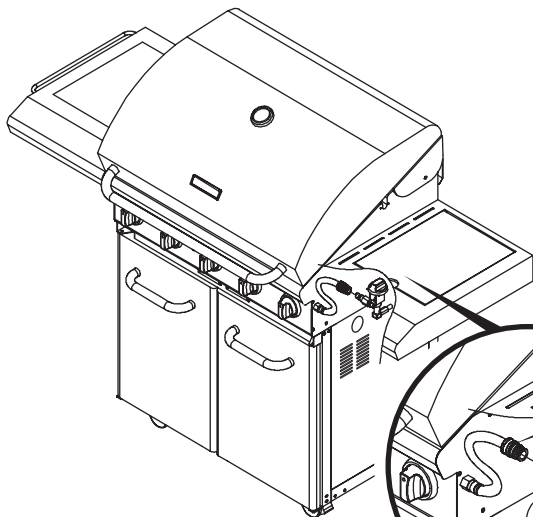
Tool holder to side shelf
Phillips-head screw
M5 x 8 mm
Qty. 2



Side shelves / side burner to barbecue head
Phillips-head screw
1/4" x 3/4"
Qty. 10

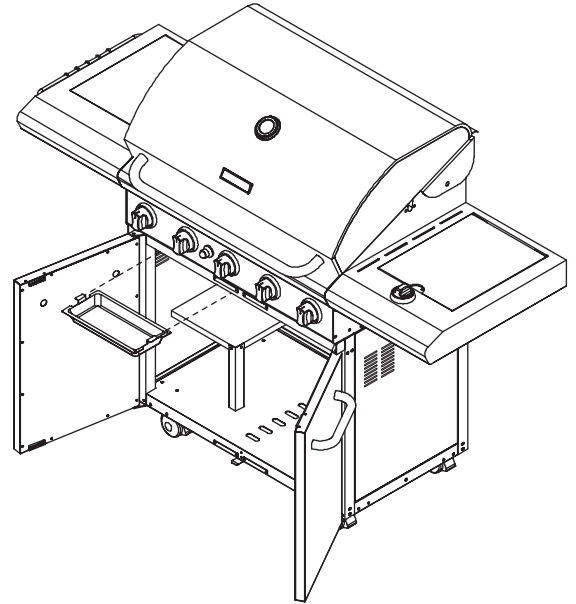
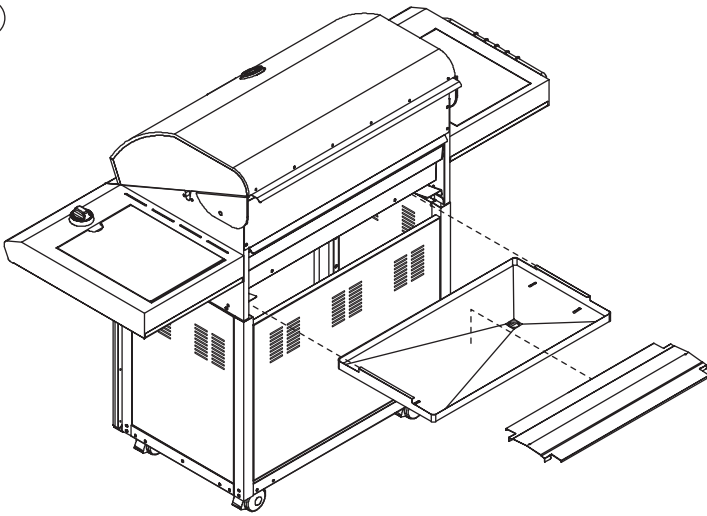


9

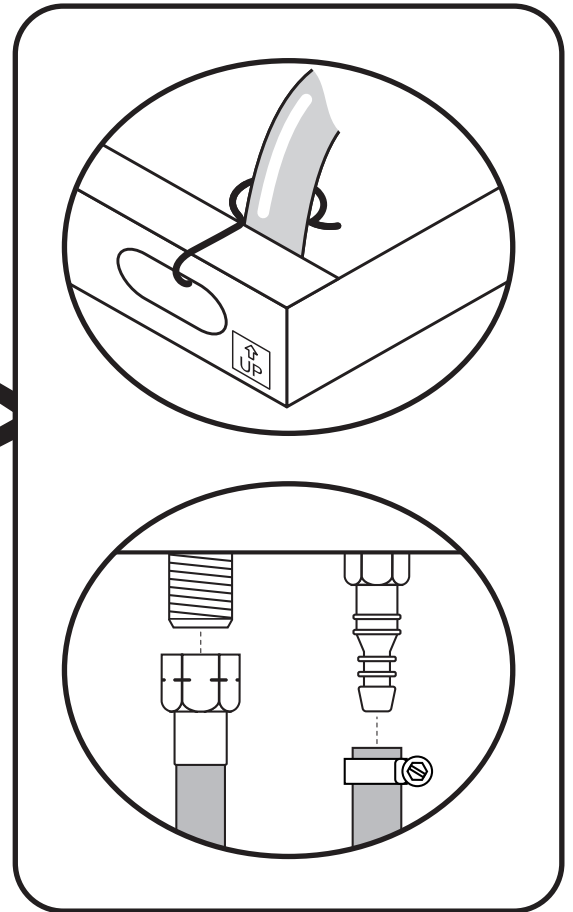
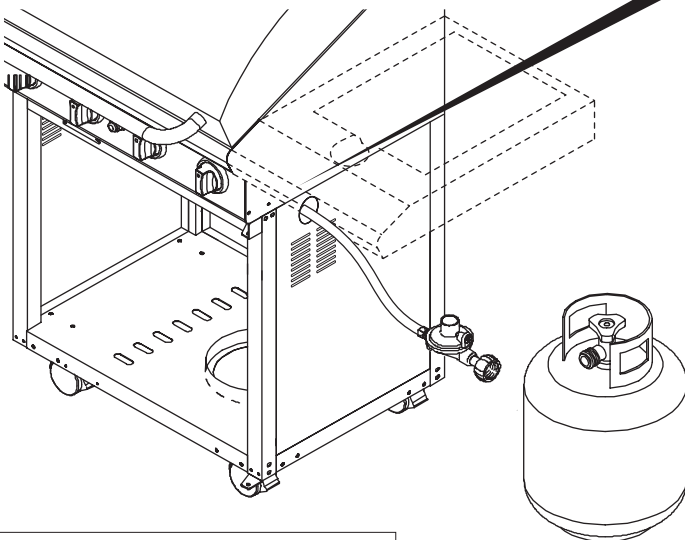
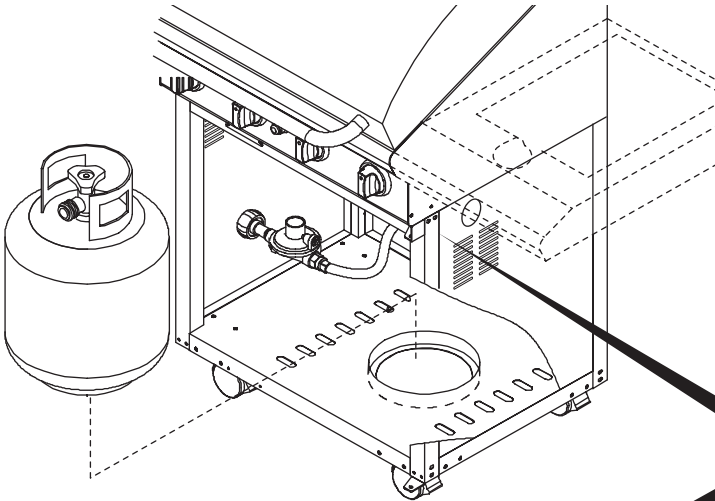


7

10



11



WARNINGS INFORMATION

(GB) DO NOT OBSTRUCT THE VENTILATION OPENINGS IN THE TROLLEY.

(FR) NE PAS BOUCHER LES OUVERTURES DE VENTILATION DANS LE CHARIOT.

(DE) NICHT DIE VENTILATIONSÖFFNUNGEN IM WAGEN BLOCKIEREN.

(IT) NON OSTRUIRE LE APERTURE DI VENTILAZIONE DEL CARRELLO.

(NL) DE VENTILATIEOPENINGEN IN DE TROLLEY NIET BLOKKEREN.

(SE) BLOCKERA EJ VENTILATIONSHÅLEN I GRILLBAREN.

(FI) KÄRRYN TUULETUSAUUKOJA EI SAA PEITTÄÄ.

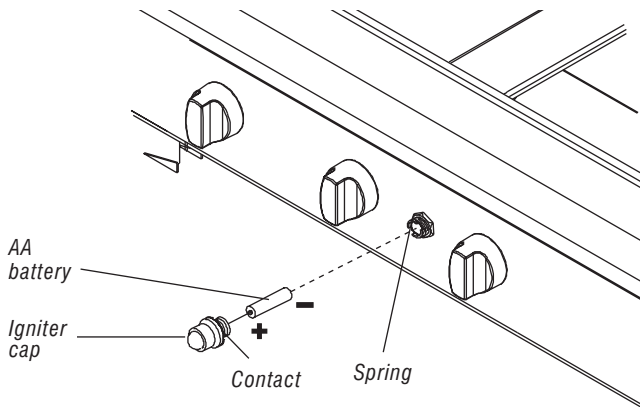
(ES) NO OBSTRUYA LAS ABERTURAS DE VENTILACIÓN DEL CARRITO.

(PT) NÃO OBSTRUA AS ABERTURAS DE VENTILAÇÃO NO TRÓLEI.

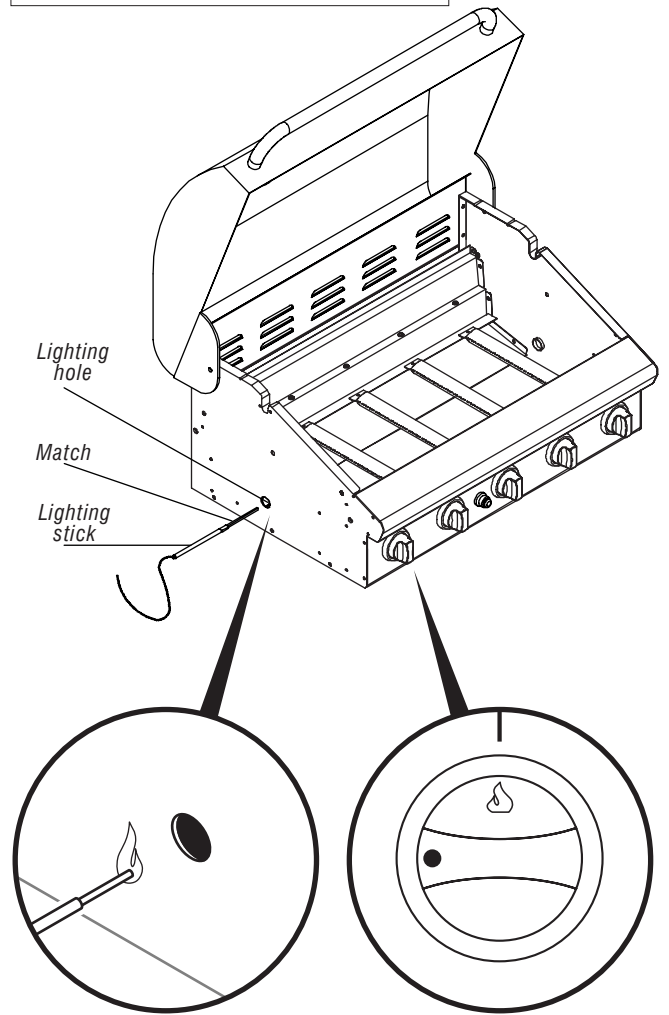
(DK) VENTILATIONSÅBNINGEN I TROLLEYEN MÅ IKKE SPÆRRES.

(NO) VENTILASJONSÅPNINGENE PÅ TRALLEN MÅ IKKE TILDEKES.

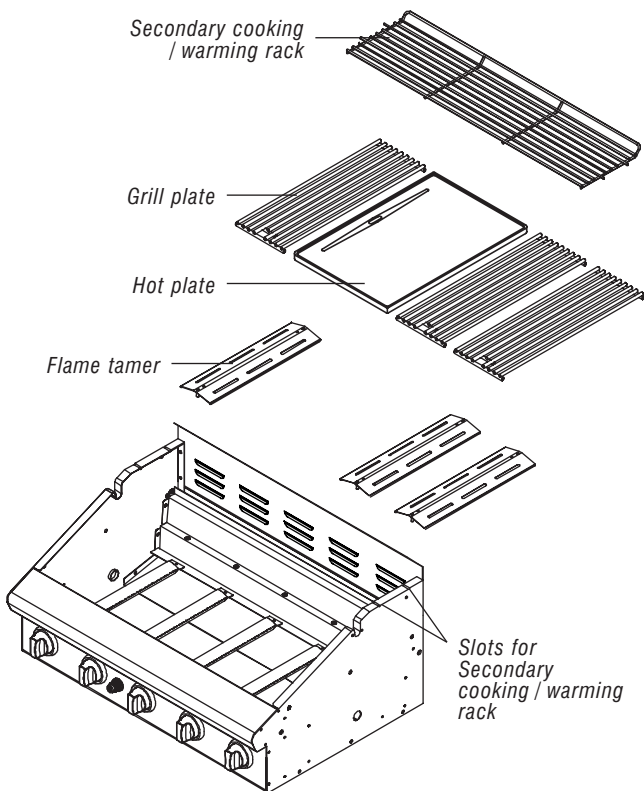
IGNITION BATTERY



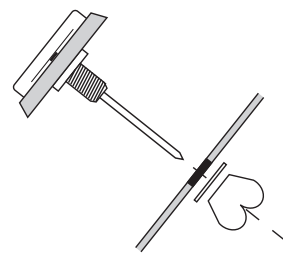
LIGHT BBQ WITH MATCH



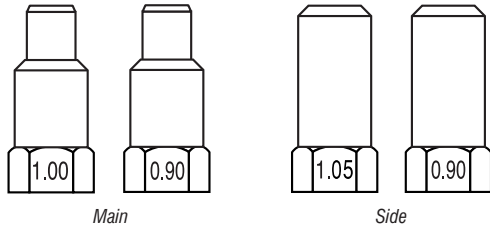
COOKING COMPONENT INSTALLATION



TEMPERATURE GAUGE



INJECTOR



•Main	1.00 mm	- I 3+ (28-30/37)
		- I 3B/P (30)
•Side	0.90 mm	- I 3B/P (50)
	1.05 mm	- I 3+ (28-30/37)
		- I 3B/P (30)
	0.90 mm	- I 3B/P (50)

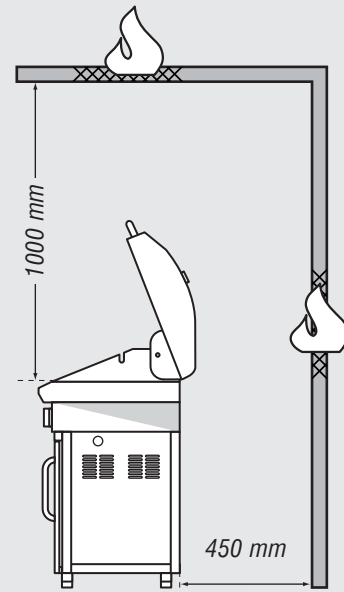
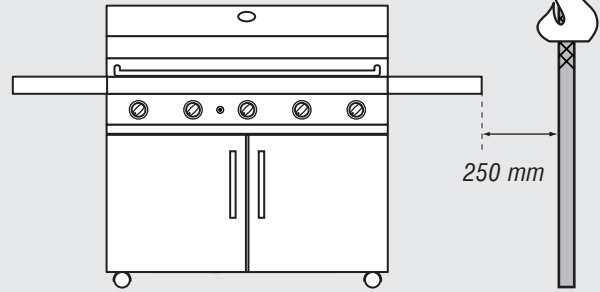
INPUT

•Main	22.0 kW	- 1598 grams / h
•Side	4.5 kW	- 327 grams / h

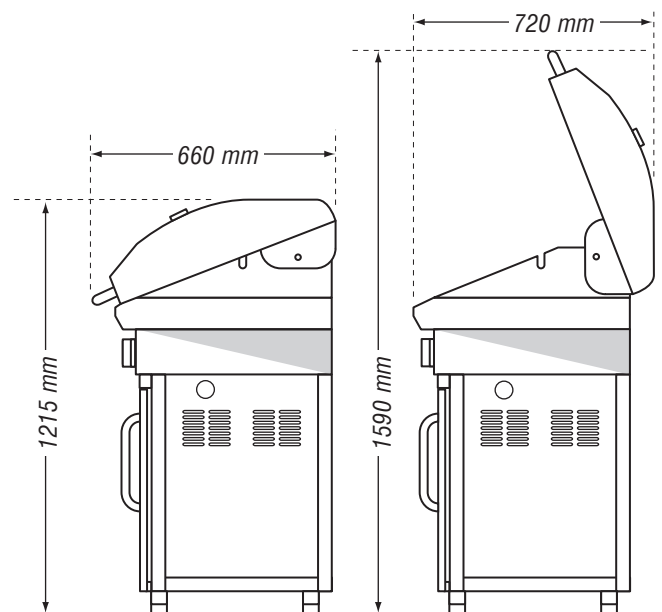
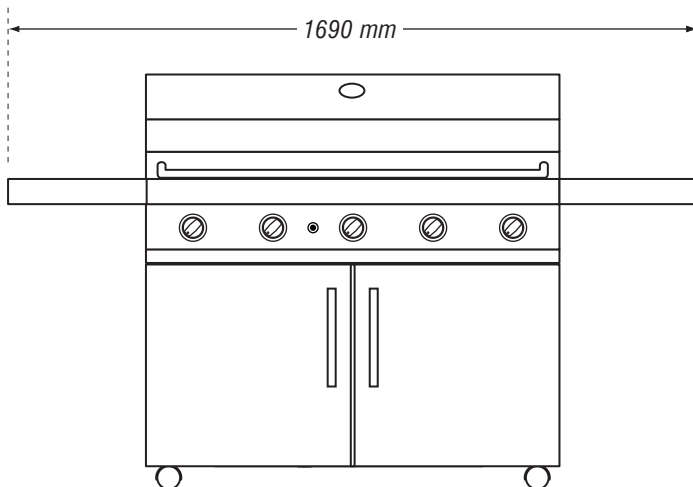


WARNINGS INFORMATION

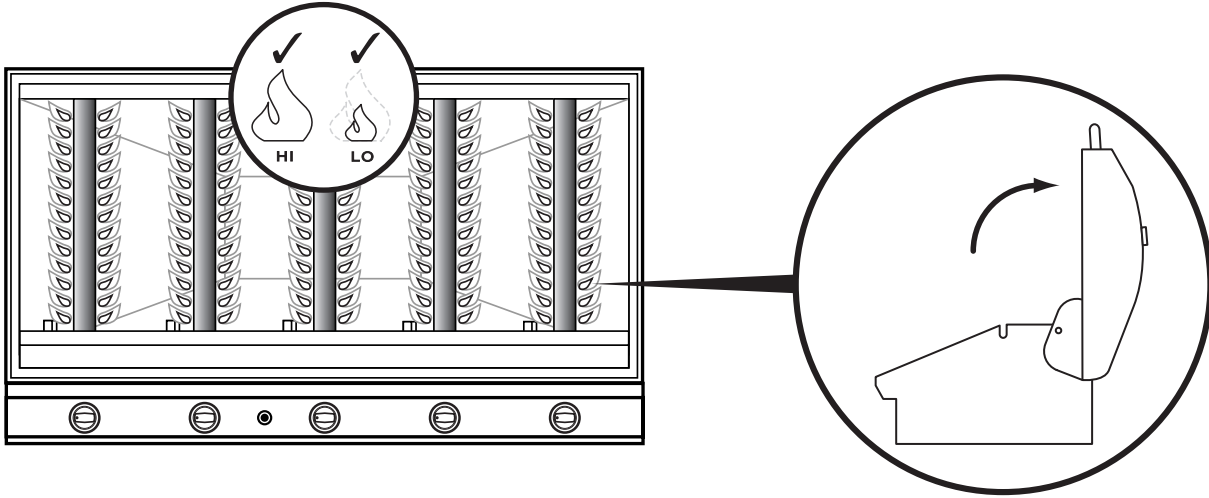
- **MINIMUM CLEARANCES FROM COMBUSTIBLE MATERIALS MUST BE:**
REAR - 450 mm
SIDES - 250 mm
TOP - 1000 mm



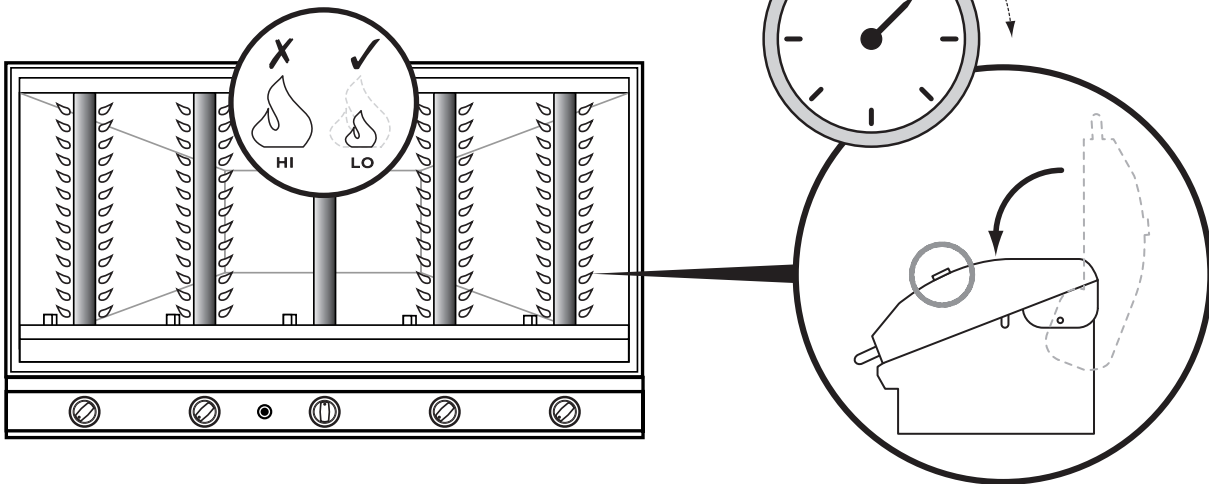
DIMENSIONS



COOKING WITH HOOD OPEN



COOKING WITH HOOD DOWN



Grand Hall Europe
PO Box 431
7570 AK Oldenzaal
The Netherlands

www.grandhall.eu

(IE) (GB) NOTE: This information is a guide only. Items included in your BBQ specification may differ depending on region or specific dealer specification.

(CH) (FR) NOTE: Ces renseignements sont donnés à titre indicatif. Il est possible que les articles inclus dans les spécifications de votre barbecue diffèrent selon la région ou les caractéristiques stipulées par le concessionnaire.

(AT) (CH) (DE) ANMERKUNG: Diese Anleitung dient nur zu Informationszwecken. Einzelteile der Grillspezifikation sind unter Umständen verschieden entsprechend der Vertriebsregion oder bestimmten Händleranforderungen.

(CH) (IT) AVVERTENZA: Queste informazioni hanno il valore di guida soltanto. Gli articoli compresi nelle caratteristiche tecniche del barbecue potrebbero variare a seconda della regione o del concessionario.

(LU) (BE) (NL) ATTENTIE: Deze informatie is alleen bedoeld als gids. Onderdelen in uw BBQ specificatie en pakket kunnen per regio of per dealer verschillen.

(SE) ANM.: Denna information är endast avsedd som handledning. Specifikationerna för grillen kan variera regionalt eller beroende på de krav som olika återförsäljare har.

(FI) HUOMATKAA: Nämä tiedot ovat pelkästään suuntaa antavia. Ostamanne grillin yksityiskohdat voivat olla erilaiset paikkakunnan tai erityisten myyjäkohtaisten yksityiskohtien mukaan.

(ES) NOTA: Esta información es una guía únicamente. Es posible que las indicaciones incluidas en las especificaciones de su Asador sean diferentes según la región o las especificaciones específicas del representante.

(PT) NOTA: Esta informação é simplesmente um guia. Os itens incluídos na especificação do seu BBQ poderão diferir dependendo da especificação da região ou do vendedor específico.

(DK) NB: Denne information er kun vejledende. Specifikationer kan variere efter ønske fra forhandler, eller i henhold til nationale regler.

(NO) NB: Denne informasjon er kun veiledende. Spesifikasjoner kan variere som stipulert av forhandler, eller i henhold til nasjonale krav.

All specifications are subject to change without notice.

Toutes les caractéristiques sont susceptibles d'être modifiées sans préavis.

Änderungen ohne vorherige Bekanntgabe vorbehalten.

Tutti i dati tecnici possono cambiare senza preavviso.

Alle specificaties kunnen zonder voorafgaande kennisgeving worden gewijzigd.

Kaikki oikeudet teknisten tietojen muutoksiin pidätetään.

Kaikki yksityiskohdat voivat muuttua ilman, etta niistä erikseen ilmoitetaan.

Todas las especificaciones están sujetas a cambios sin previo aviso.

Todas as especificações estão sujeitas a alteração sem aviso.

Alle specifikationer kan ændres foruden varsel.

Spesifikasjoner kan endres uten varsel.

Manufactured by
Huiyang RST Ind. Co., Ltd.
Bu Zha Industrial District
Jun Zi Ying, Li-Lin, Huiyang
Guandong, China