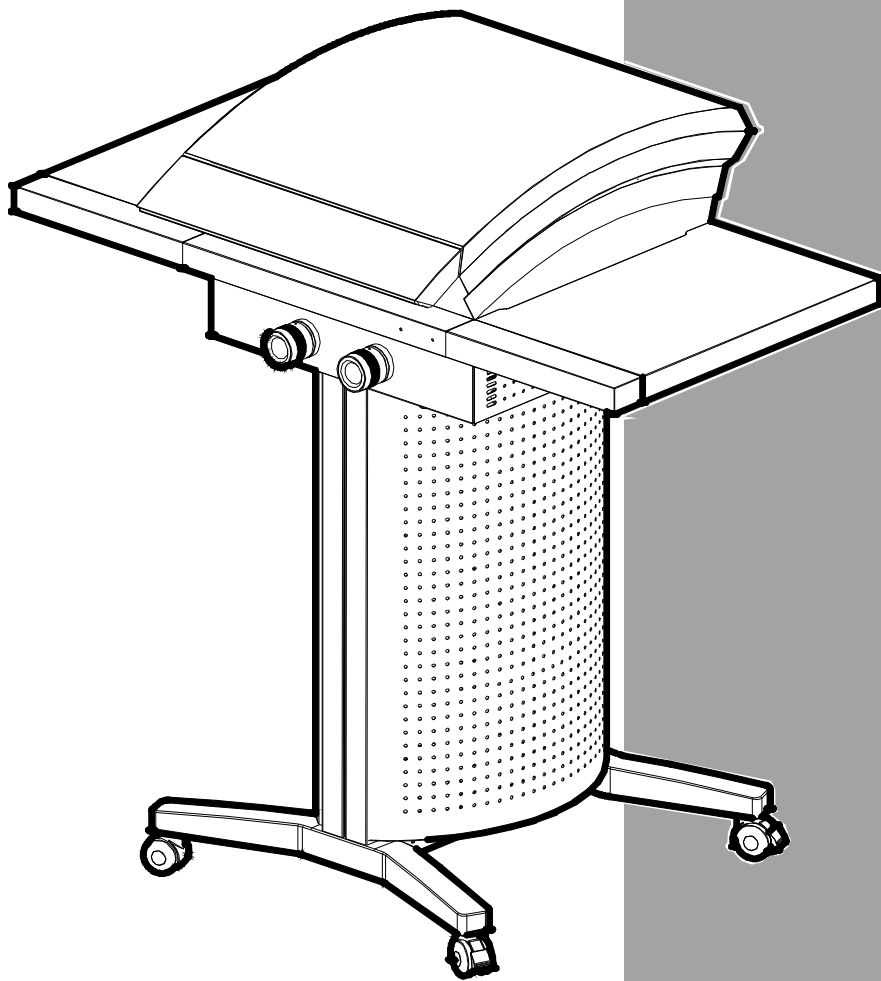


CE 0086

**grandhall**  
living style

# gas barbecue



- ⒾⒺ ⒸⒹ Assembly instructions
- ⒸⒽ ⒻⒼ Instructions d'assemblage
- ⒶⒹ ⒸⒽ ⒹⒺ Montageanweisungen
- ⒸⒽ ⒾⒹ Istruzioni per il montaggio
- ⒻⒸ ⒸⒺ ⒼⒹ Montage-instructies
- ⒸⒺ Montering
- ⒻⒾ Kokoamisohjeet
- Ⓔ⒮ Instrucciones de armado
- ⒻⒹ Instruções para Montagem
- ⒹⒼ Monteringsvejledning
- ⒼⒹ Montering
- ⒻⒼ Instrukcje



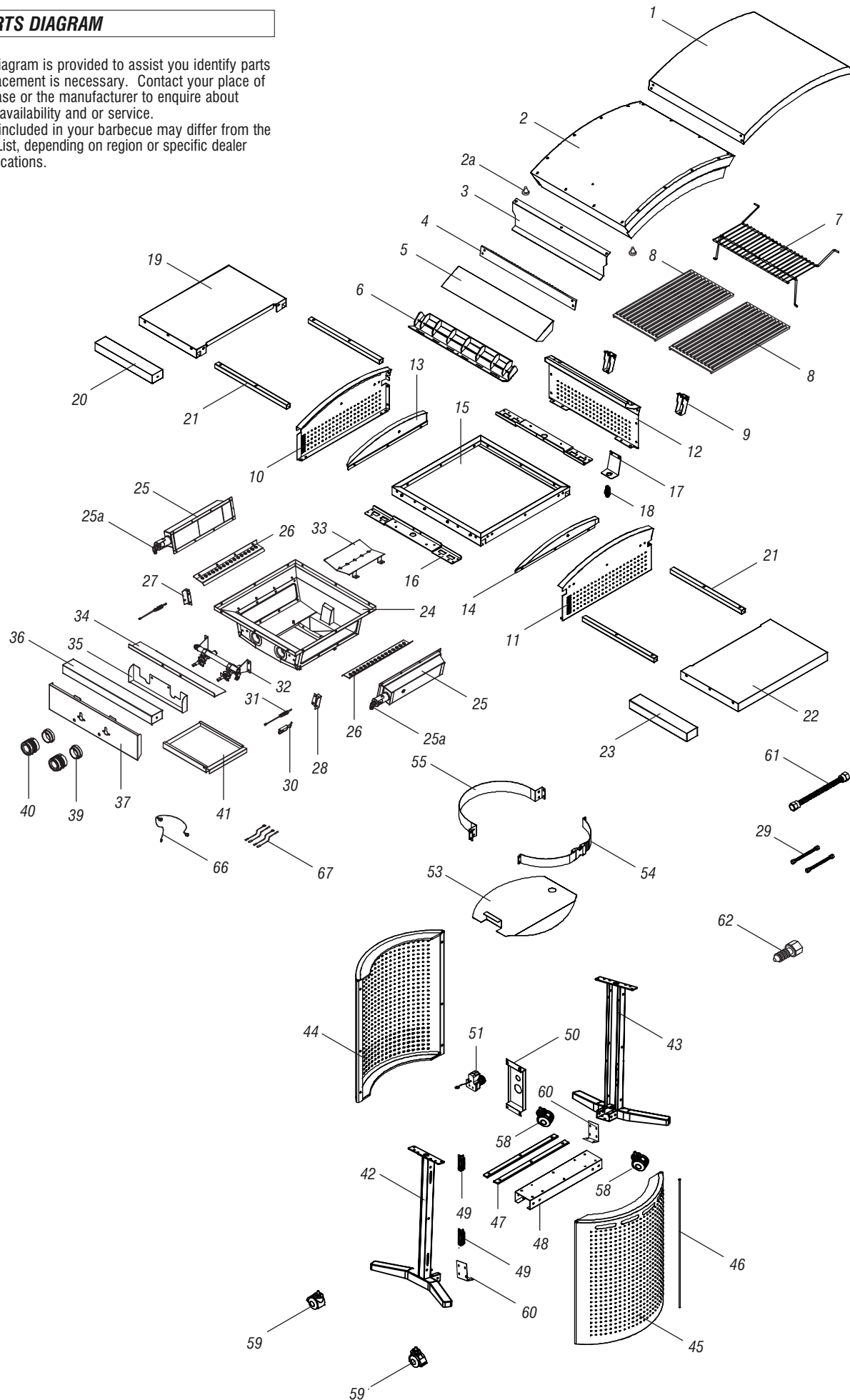
**GRILL™**

**PARTS LIST**

| <b>Ref</b> | <b>Description</b>                                  | <b>Part #</b> | <b>Qty</b> |
|------------|---|---------------|------------|
| 1          | Hood assembly – <i>outer, titanium</i>              | P0015312IX    | 1          |
|            | – <i>outer, SS</i>                                  | P0015311E4    | 1          |
|            | Hood assembly – <i>inner</i>                        | P0011440IK    | 1          |
| 2          | Hood assembly – <i>inner</i>                        | P0011440IK    | 1          |
| 2a         | Protective pad – <i>hood</i>                        | P05518018I    | 2          |
| 3          | Hood heat shield                                    | P06916001B    | 1          |
| 4          | Hood heat insulating spacer                         | P06917001S    | 1          |
| 5          | Hood handle – <i>with screen print</i>              | P00213023M    | 1          |
| 6          | Hood handle lower plastic strip – <i>30 mbar</i>    | P06802005A    | 1          |
|            | – <i>50 mbar</i>                                    | P06802005B    | 1          |
| 7          | Cooking rack / secondary                            | P015030022    | 1          |
| 8          | Grill plate   | P01615033F    | 2          |
| 9          | Hood bracket  | P03303114D    | 2          |
| 10         | Bowl side panel – <i>left</i>                       | P0072086AM    | 1          |
| 11         | Bowl side panel – <i>right</i>                      | P0072187AM    | 1          |
| 12         | Bowl side panel – <i>rear</i>                       | P0072593AM    | 1          |
| 13         | Bowl side trim plate – <i>left</i>                  | P0072087GA    | 1          |
| 14         | Bowl side trim plate – <i>right</i>                 | P0072188GA    | 1          |
| 15         | Bowl frame  | P0073945AM    | 1          |
| 16         | Bowl support bracket                                | P01306026D    | 2          |
| 17         | Gas fitting bracket                                 | P03324006D    | 1          |
| 18         | Gas fitting   | P03907007A    | 1          |
| 19         | Side shelf – <i>left</i>                            | P01102054D    | 1          |
| 20         | Decorative panel for side shelf – <i>left</i>       | P075030184    | 1          |
| 21         | Side shelf bracket                                  | P01215008C    | 4          |
| 22         | Side shelf – <i>right</i>                           | P01103044D    | 1          |
| 23         | Decorative panel for side shelf – <i>right</i>      | P075020244    | 1          |
| 24         | Bowl assembly                                       | P00739469A    | 1          |
| 25         | Infrared burner assembly – <i>30 mbar</i>           | Y0310038      | 1          |
|            | – <i>50 mbar</i>                                    | Y0310039      | 1          |
| 25a        | Jet – <i>30 mbar</i>                                | P06539018A    | 2          |
|            | – <i>50 mbar</i>                                    | P06539019A    | 2          |
| 26         | Grease shield                                       | P06901026A    | 2          |
| 27         | Thermocouple bracket – <i>left</i>                  | P033270604    | 1          |
| 28         | Thermocouple bracket – <i>right</i>                 | P033270614    | 1          |
| 29         | $\frac{7}{16}$ " Connection hose                    | P03701027D    | 2          |
| 30         | Electrode   | P02614054A    | 2          |
| 31         | Thermocouple for gas valve                          | P05305033D    | 2          |
| 32         | Gas valve / manifold assembly – <i>30 / 50 mbar</i> | Y0060617      | 1          |
| 32aa       | Gas valve without jet – <i>left, 30 / 50 mbar</i>   | P03246003A    | 1          |
| 32ab       | Gas valve without jet – <i>right, 30 / 50 mbar</i>  | P03247003A    | 1          |
| 32c        | Manifold  | P05001312A    | 1          |
| 33         | Grease tray heat shield                             | P06904046A    | 1          |
| 34         | Gas valve heat shield – <i>upper</i>                | P0300502CB    | 1          |
| 35         | Gas valve heat shield – <i>lower</i>                | P0300503CB    | 1          |
| 36         | Decorative front cover                              | P02905623I    | 1          |
| 37         | Control panel                                       | P02905634E    | 1          |
| 39         | Control knob seat                                   | P03434015U    | 2          |
| 40         | Control knob  | P03435015C    | 2          |
| 41         | Grease draining tray                                | P02717535B    | 1          |
| 42         | Trolley frame – <i>front, with screen print</i>     | P00927011D    | 1          |
| 43         | Trolley frame – <i>rear</i>                         | P00927012D    | 1          |
| 44         | Trolley panel – <i>left</i>                         | P04305024B    | 1          |
| 45         | Trolley panel – <i>right / door</i>                 | P04306024B    | 1          |
| 46         | Trolley panel axle / door axle                      | P05372001E    | 1          |
| 47         | Gas cylinder protective pad                         | P03303112D    | 1          |
| 48         | Trolley frame – <i>lower</i>                        | P03303113D    | 1          |
| 49         | Door magnet   | P05351003A    | 2          |
| 50         | Trolley control panel                               | P03343012D    | 1          |
| 51         | Electronic igniter – <i>2 port</i>                  | P02502302C    | 1          |
| 53         | Gas cylinder heat shield                            | P01001067D    | 1          |
| 54         | Cylinder fastening strap                            | P05314002V    | 1          |
| 55         | Cylinder holder bracket                             | P04009031G    | 1          |
| 58         | Castor 2" – <i>without brake</i>                    | P05104007A    | 2          |
| 59         | Castor 2" – <i>with brake</i>                       | P05104004A    | 2          |
| 60         | Support bracket                                     | P03334003A    | 2          |
| 61         | $\frac{5}{8}$ " Connection hose                     | P03720001F    | 1          |
| 62         | Universal hose barb                                 | P03901024A    | 1          |
| 66         | Electronic wire – <i>2 contact</i>                  | P02627003M    | 1          |
| 67         | Electrode wire set                                  | P02627004A    | 1          |
|            | Hardware pack                                       | P06003111A    | 1          |
|            | Operation instructions                              | P80181028K    | 1          |

## PARTS DIAGRAM

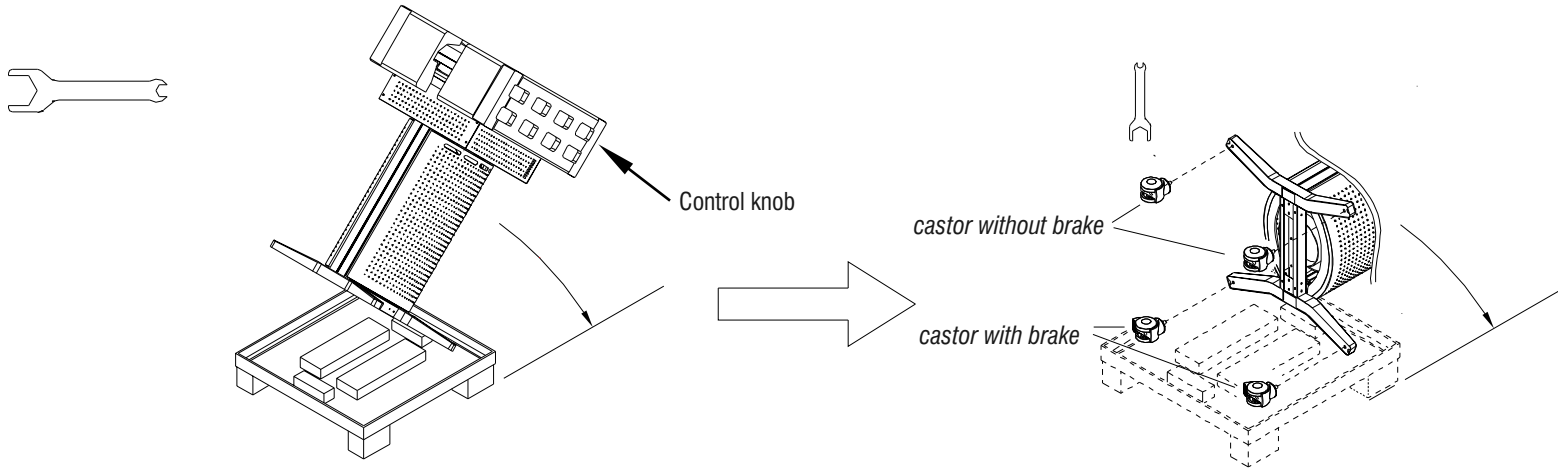
This diagram is provided to assist you identify parts if replacement is necessary. Contact your place of purchase or the manufacturer to enquire about parts, availability and or service. Items included in your barbecue may differ from the Parts List, depending on region or specific dealer specifications.



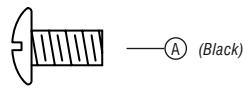
## ASSEMBLY

**CAUTION:** While possible for one person to assemble this barbecue, it is recommended obtaining assistance from a second person when handling some of the larger heavier pieces.

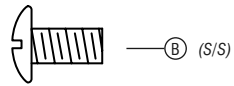
- 1 Install the castor  
Laying down the grill slowly.  
The control knob should face to the ground side



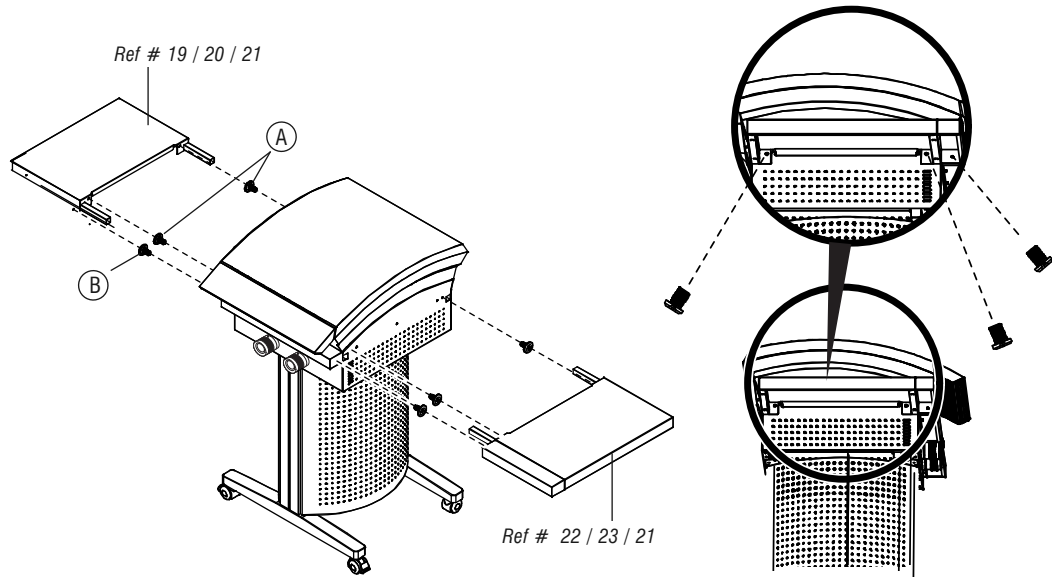
- 2 Install side shelves.



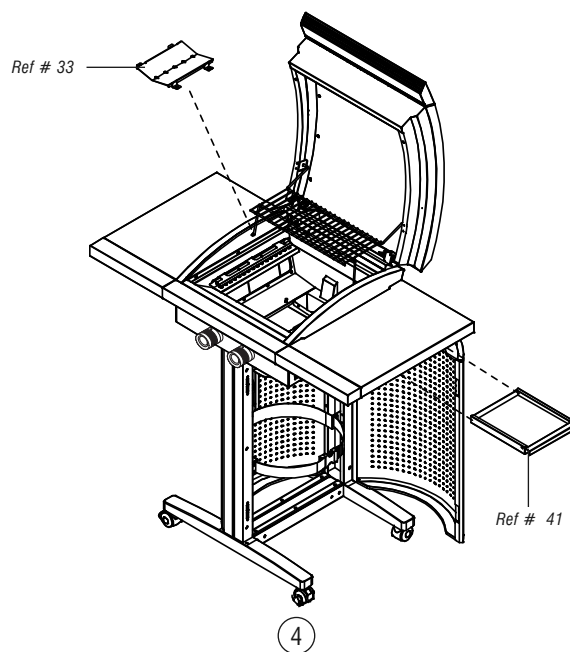
Phillips pan-head screw  $\frac{3}{16}'' \times \frac{3}{8}''$   
Qty: 4  
S182G03062



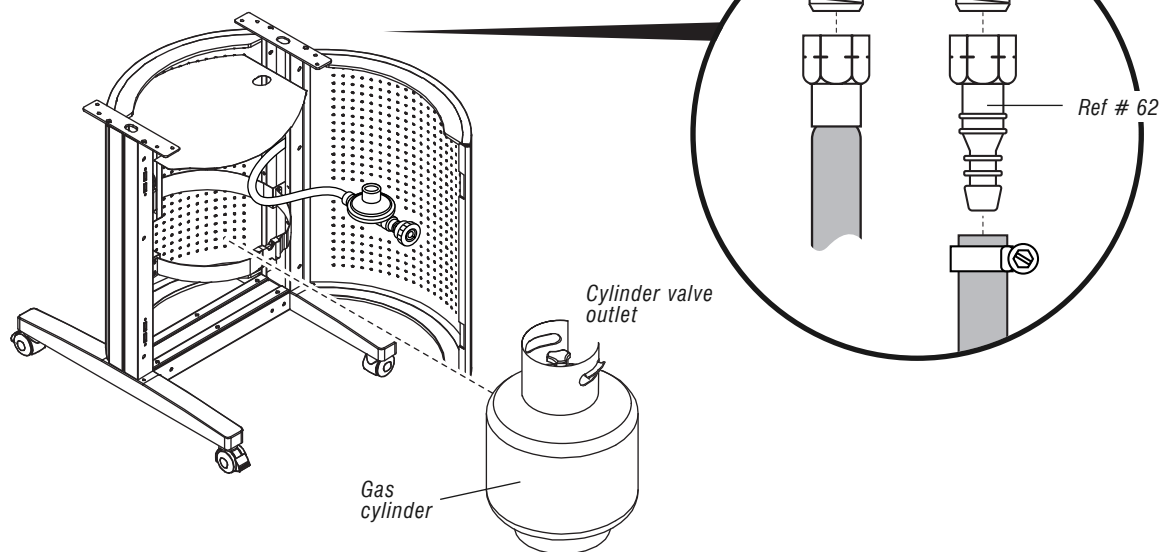
Phillips pan-head screw  $\frac{3}{16}'' \times \frac{3}{8}''$   
Qty: 2  
S182G03061



- 3 Install grease heat shield and grease tray.



③ Install gas cylinder.



### WARNINGS INFORMATION

**(GB)** DO NOT OBSTRUCT THE VENTILATION OPENINGS IN THE TROLLEY.

**(FR)** NE PAS BOUCHER LES OUVERTURES DE VENTILATION DANS LE CHARIOT.

**(DE)** NICHT DIE VENTILATIONSÖFFNUNGEN IM WAGEN BLOCKIEREN.

**(IT)** NON OSTRUIRE LE APERTURE DI VENTILAZIONE DEL CARRELLO.

**(NL)** DE VENTILATIEOPENINGEN IN DE TROLLEY NIET BLOKKEREN.

**(SE)** BLOCKERA EJ VENTILATIONSHÅLEN I GRILLBAREN.

**(FI)** KÄRRYN TUULETUSAUKKOJA EI SAA PEITTÄÄ.

**(ES)** NO OBSTRUYA LAS ABERTURAS DE VENTILACIÓN DEL CARRITO.

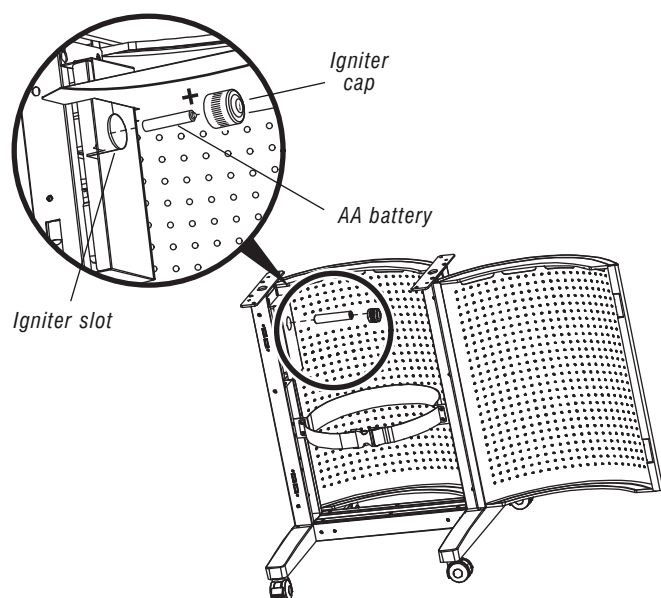
**(PT)** NÃO OBSTRUA AS ABERTURAS DE VENTILAÇÃO NO TRÓLEI.

**(DK)** VENTILATIONSÅBNINGEN I TROLLEYEN MÅ IKKE SPÆRRES.

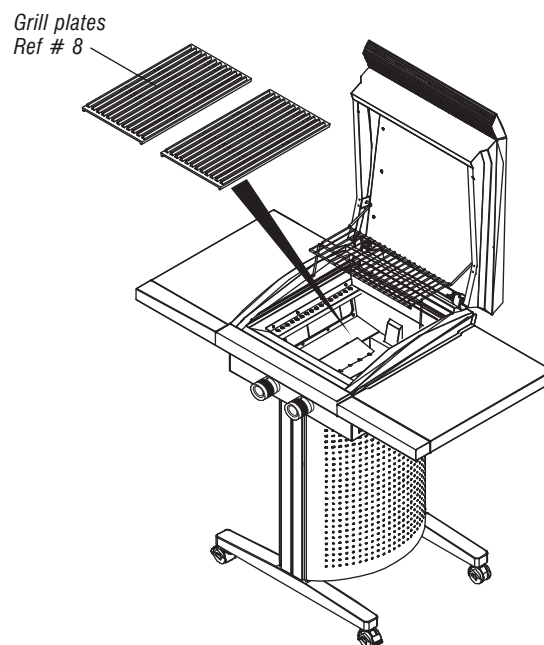
**(NO)** VENTILASJONSÅPNINGENE PÅ TRALLEN MÅ IKKE TILDEKKES.

**(PL)** NIE BLOKOWAĆ OTWORÓW WENTYLACYJNYCH NA WÓZKU

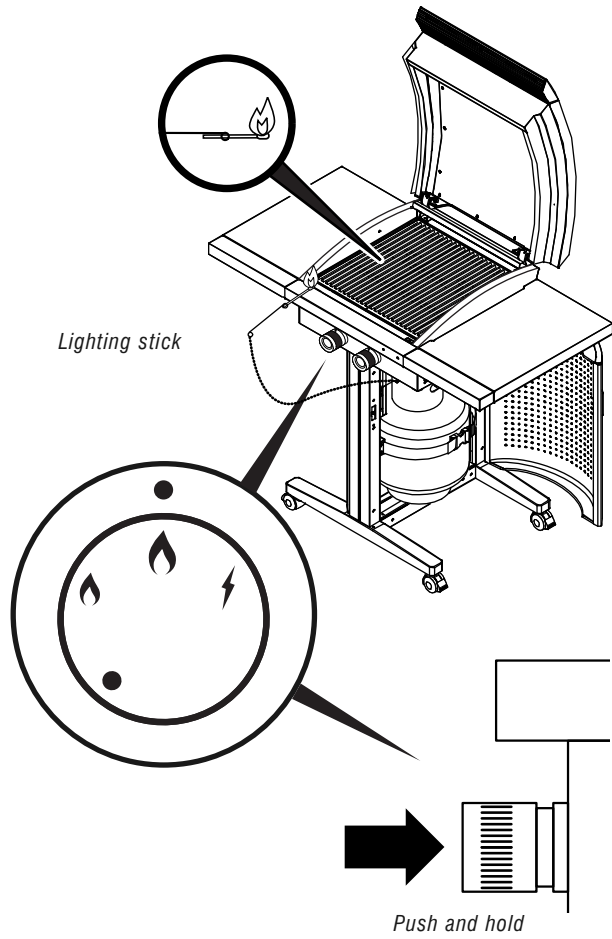
### IGNITION BATTERY



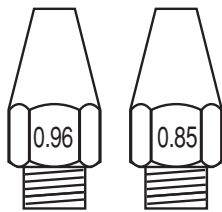
### COOKING COMPONENT INSTALLATION



**LIGHT BBQ WITH MATCH**



**INJECTOR**



0.96 mm - I 3+ (28-30/37)

- I 3B/P (30)

0.85 mm - I 3B/P (50)

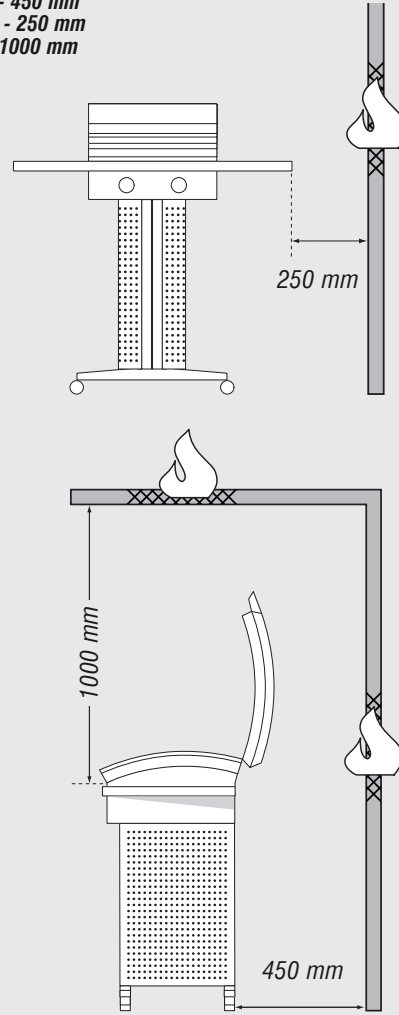
**INPUT**

3.9 kW - 283 grams / h

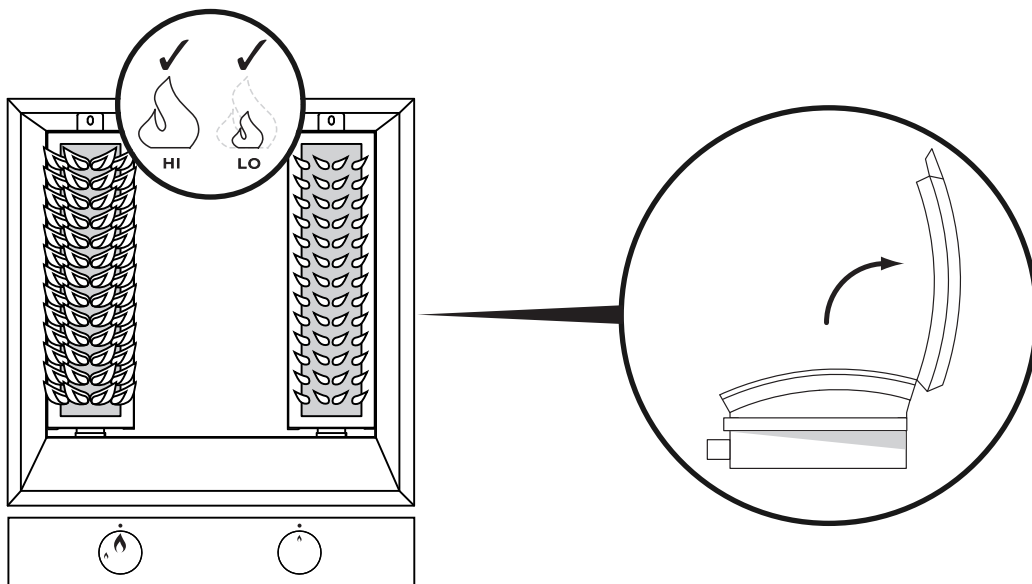


**WARNINGS INFORMATION**

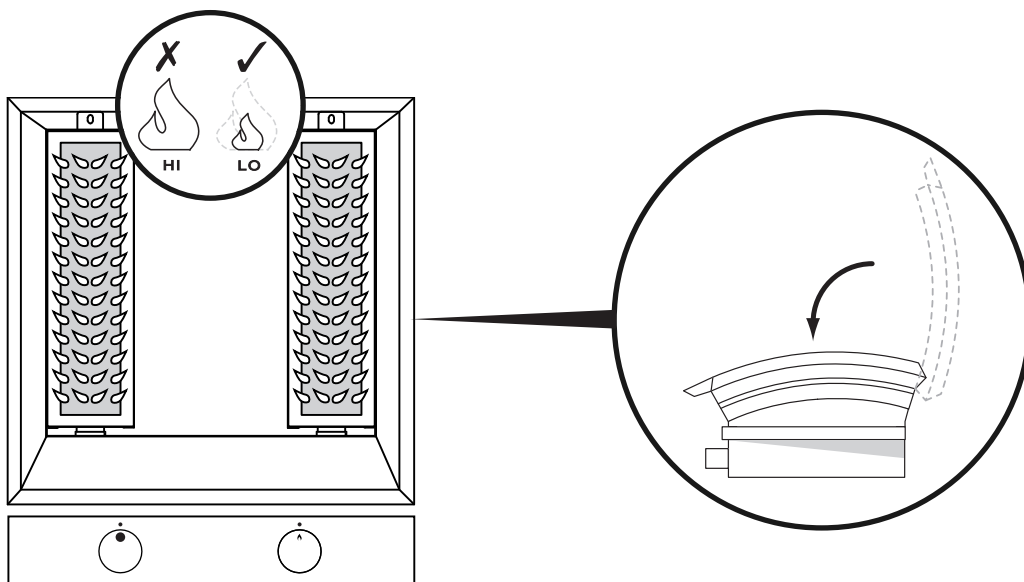
- **MINIMUM CLEARANCES FROM COMBUSTIBLE MATERIALS MUST BE:**  
**REAR - 450 mm**  
**SIDES - 250 mm**  
**TOP - 1000 mm**



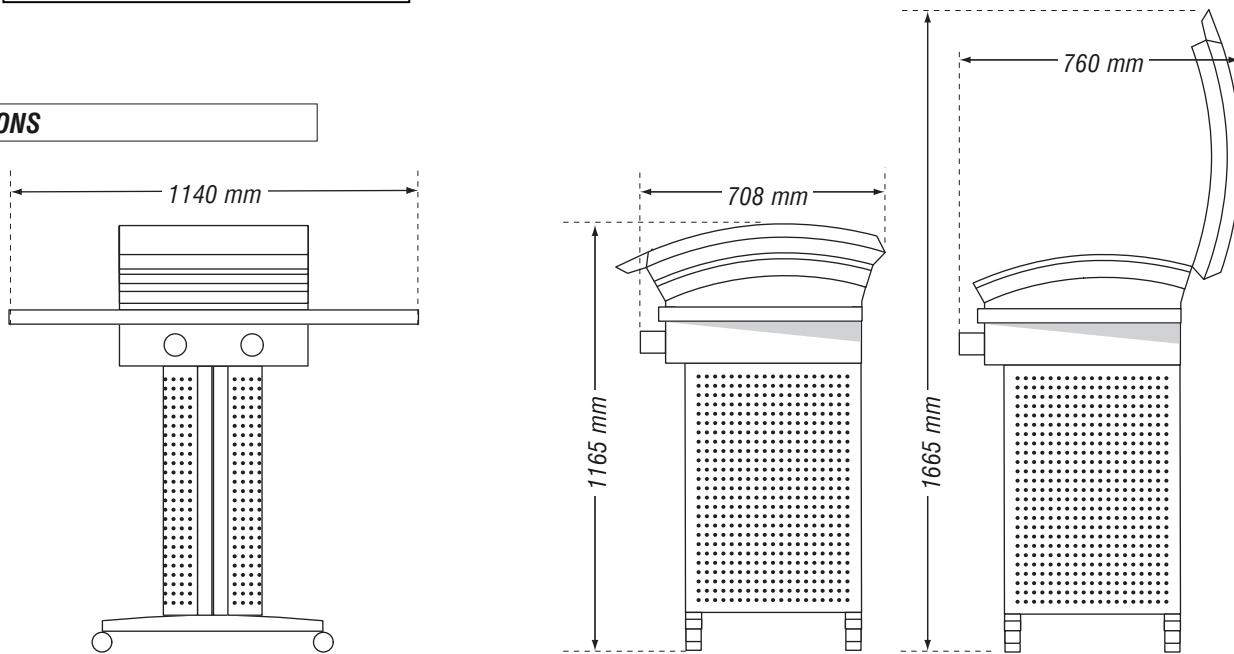
**COOKING WITH HOOD OPEN**



**COOKING WITH HOOD DOWN**



**DIMENSIONS**



## SERVICE

service@grandhall.eu

Grand Hall Europe  
PO Box 431  
7570 AK Oldenzaal  
The Netherlands

T: +31 (0) 541 531669  
F: +31 (0) 541 534563

www.grandhall.eu

All specifications are subject to change  
without notice.

Toutes les caractéristiques sont susceptibles  
d'être modifiées sans préavis.

Änderungen ohne vorherige Bekanntgabe  
vorbehalten.

Tutti i dati tecnici possono cambiare  
senza preavviso.

Alle specificaties kunnen zonder voorafgaande  
kennisgeving worden gewijzigd.

Kaikki oikeudet teknisten tietojen  
muutoksiin pidätetään.

Kaikki yksityiskohdat voivat muuttua ilman,  
että niistä erikseen ilmoitetaan.

Todas las especificaciones están sujetas a  
cambios sin previo aviso.

Todas as especificações estão sujeitas a  
alteração sem aviso.

Alle specificationer kan ændres foruden varsel.

Spesifikasjoner kan endres uten varsel.

Wszystkie specyfikacje mogą ulec zmianie  
bez uprzedzenia.

Manufacturer:

Grand Hall Enterprises Co. Ltd.  
9th Fl. No 298 Rueiguang Rd  
Neihu, Taipei, Taiwan

P80181027K Printed 01/2011

Chinese Patent No. 960361  
German Patent No. 20 2006 012 212.5  
Australian Patent No. 2006100635  
U.S. Patent No. 4,475,632  
UK Patent No. GB2440714

EU Design No. 000840186  
AU Design No. 321232

**(IE) (GB) NOTE:** This information is a guide only. Items included in your BBQ specification may differ depending on region or specific dealer specification.

**(CH) (FR) NOTE:** Ces renseignements sont donnés à titre indicatif. Il est possible que les articles inclus dans les spécifications de votre barbecue diffèrent selon la région ou les caractéristiques stipulées par le concessionnaire.

**(AT) (CH) (DE) ANMERKUNG:** Diese Anleitung dient nur zu Informationszwecken. Einzelteile der Grillspezifikation sind unter Umständen verschieden entsprechend der Vertriebsregion oder bestimmten Händleranforderungen.

**(CH) (IT) AVVERTENZA:** Queste informazioni hanno il valore di guida soltanto. Gli articoli compresi nelle caratteristiche tecniche del barbecue potrebbero variare a seconda della regione o del concessionario.

**(LU) (BE) (NL) ATTENTIE:** Deze informatie is alleen bedoeld als gids. Onderdelen in uw BBQ specificatie en pakket kunnen per regio of per dealer verschillen.

**(SE) ANM.:** Denna information är endast avsedd som handledning. Specifikationerna för grillen kan variera regionalt eller beroende på de krav som olika återförsäljare har.

**(FI) HUOMATKAA:** Nämä tiedot ovat pelkästään suuntaa antavia. Ostamanne grillin yksityiskohdat voivat olla erilaiset paikkakunnan tai erityisten myyjäkohtaisten yksityiskohtien mukaan.

**(ES) NOTA:** Esta información es una guía únicamente. Es posible que las indicaciones incluidas en las especificaciones de su Asador sean diferentes según la región o las especificaciones específicas del representante.

**(PT) NOTA:** Esta informação é simplesmente um guia. Os itens incluídos na especificação do seu BBQ poderão diferir dependendo da especificação da região ou do vendedor específico.

**(DK) NB:** Denne information er kun vejledende. Specifikationer kan variere efter ønske fra forhandler, eller i henhold til nationale regler.

**(NO) NB:** Denne informasjon er kun veiledende. Spesifikasjoner kan variere som stipulert av forhandler, eller i henhold til nasjonale krav.

**(PL) UWAGA:** Informacje te służą jedynie, jako wskazówki. Elementy wchodzące w skład specyfikacji twojego grilla mogą się różnić w zależności od rejonu lub szczególnych specyfikacji dealera.