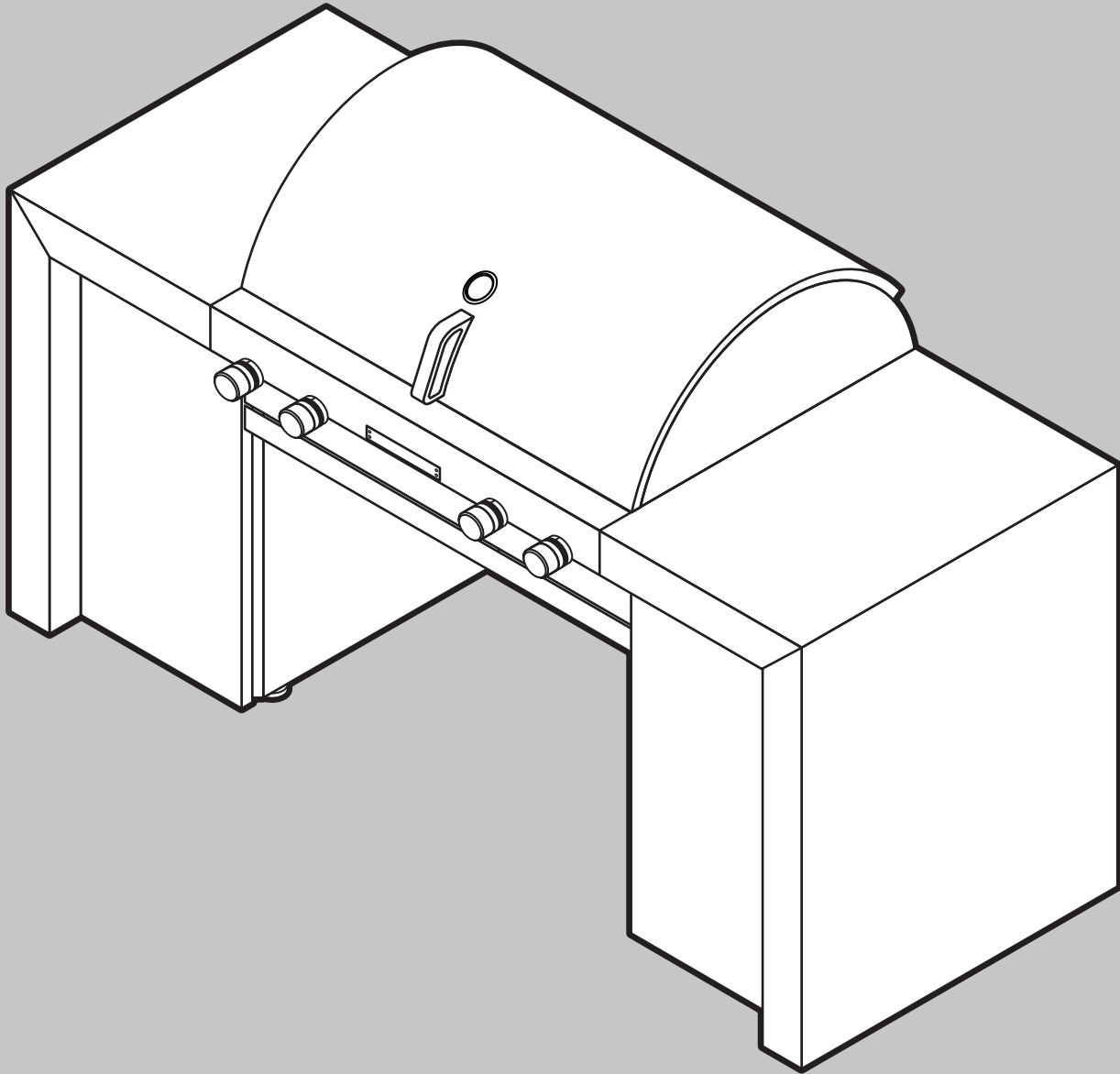


Design by

**PORSCHE DESIGN
STUDIO**

X-series

grandhall
living style



IE GB Assembly instructions

CH FR Instructions d'assemblage

AT CH DE Montageanweisungen

CH IT Istruzioni per il montaggio

LU BE NL Montage-instructies

SE Montering

FI Kokoamisohjeet

ES Instrucciones de armado

PT Instruções para Montagem

DK Monteringsvejledning

NO Montering

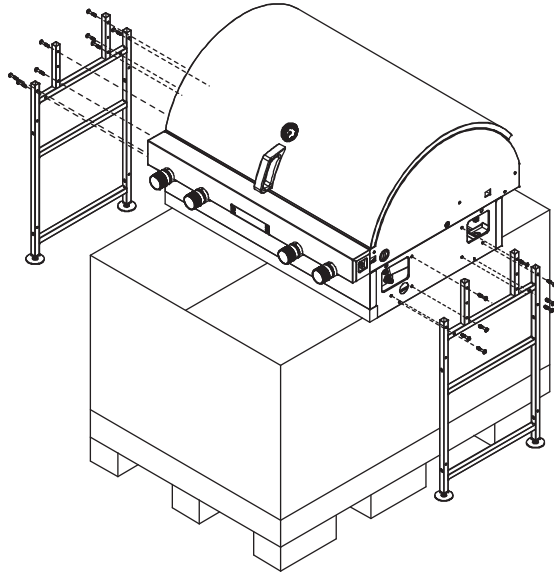
PL Instrukcje

CE 0087

ASSEMBLY

CAUTION: Two people are needed to assemble this appliance.

Lay a piece of cardboard on the ground (refer to Pre-Assembly instructions). With the help of an assistant remove the barbecue head from the carton and put it on the cardboard. Retain the box for the following step.

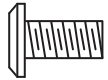


- ① Install island side panel bracket assembly.
Place the barbecue head on the carton as shown.

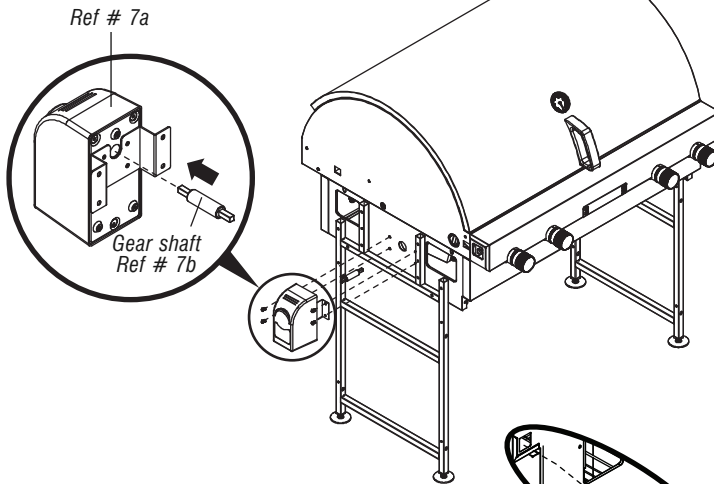


Phillips-head screw 1/4" x 15/16"
Qty. 16
Part # S125G04092

- ② Install rotisserie motor.



Pan-head screw 3/16" x 3/8"
Qty. 4
Part # S182G03062



- ③ Install island side table module.



Socket-head cap screw 1/4" x 3/4"
Qty. 4
Part # S164G04121



Wing nut 1/4"
Qty. 4
Part # S355G04001



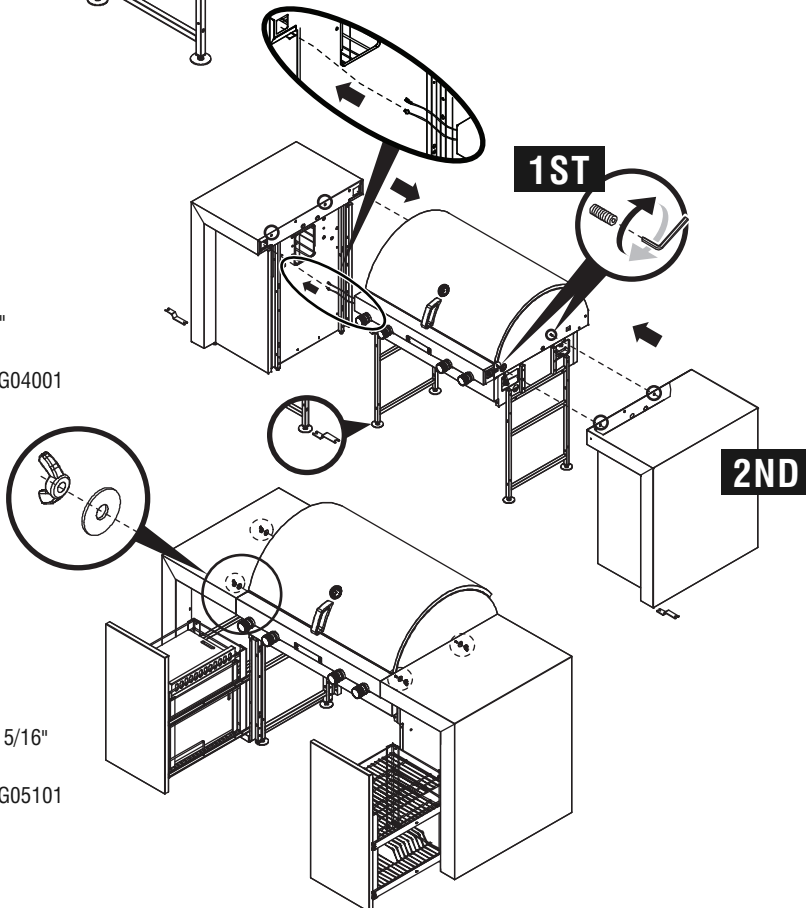
Socket-head cap screw 1/4" x 3/4"
Qty. 1
Part # P05515006B



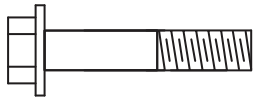
Wrench
Qty. 1
Part # P05515129C



Plain washer 5/16"
Qty. 4
Part # S411G05101



④ Install island side panel bracket assembly to island side panel set.

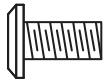


Hex-head screw 1/4" x 2 1/16"
Qty. 8
Part # S165G04092

(A)

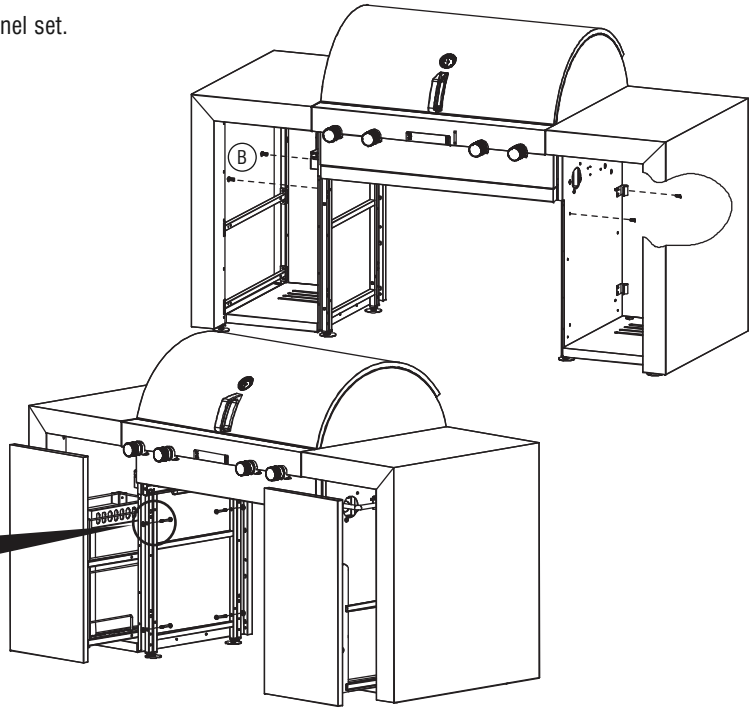
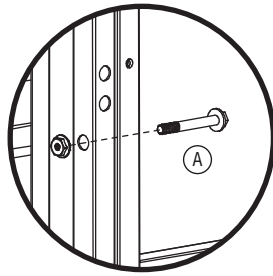


Flange nut 1/4"
Qty. 8
Part # S313G04092

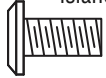


(B)

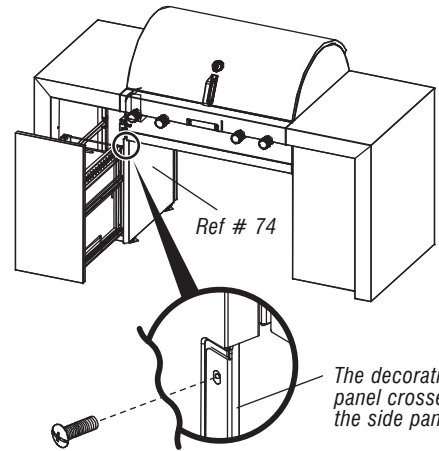
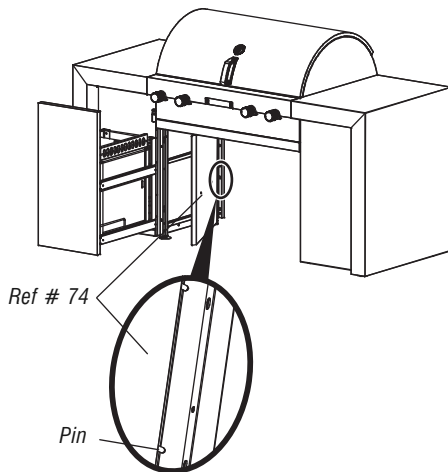
Pan-head screw 3/16" x 3/8"
Qty. 4
Part # S192G03062



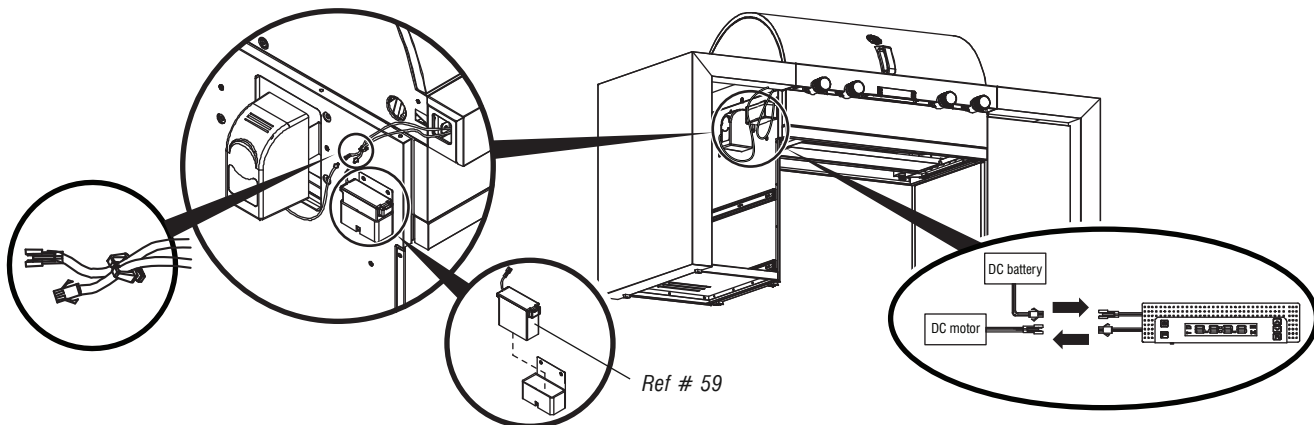
⑤ Install island decorative panel.
Repeat steps for installing the right island decorative panel.



Pan-head screw 3/16" x 3/8"
Qty. 8
Part # S182G03062

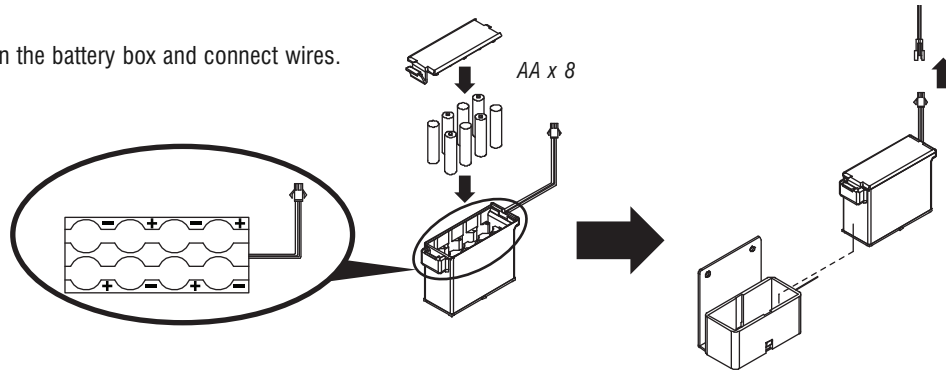


⑥ Install island battery pack and connect electric wires.



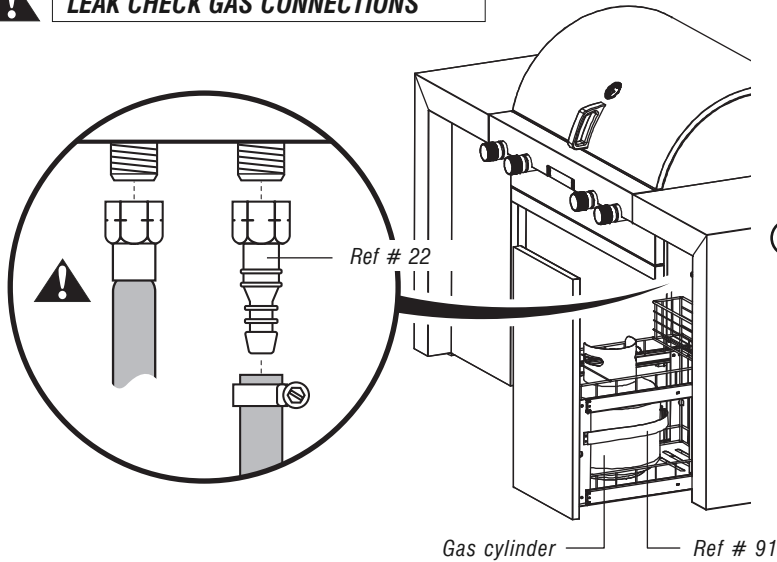
NOTE: If the battery pack is worn out, AA batteries can be installed in the battery box (Ref # 59a) as a back up. Refer page 9.

⑦ Install back up batteries in the battery box and connect wires.



⑧ Install gas cylinder.

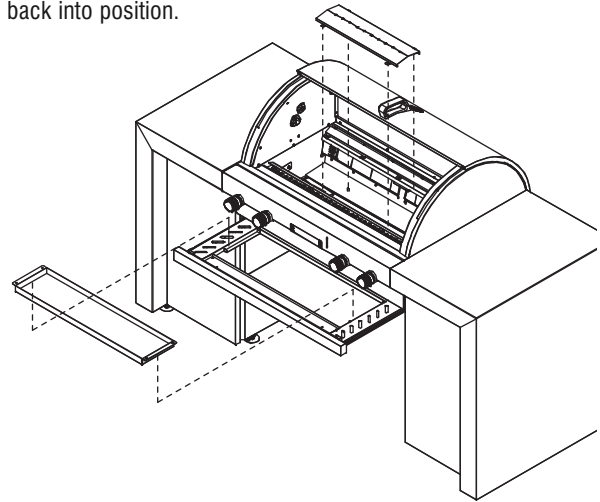
LEAK CHECK GAS CONNECTIONS



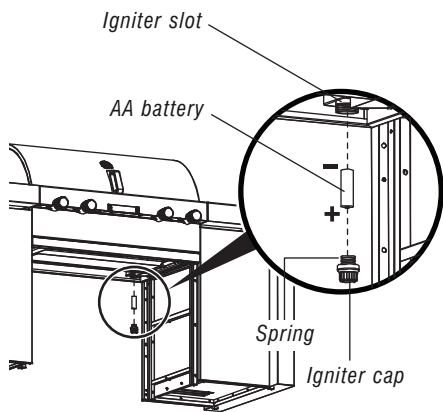
⑨ Install grease tray heat shield and grease tray.

Place the four pins on the grease tray heat shield into the four holes in the grill bowl as shown.

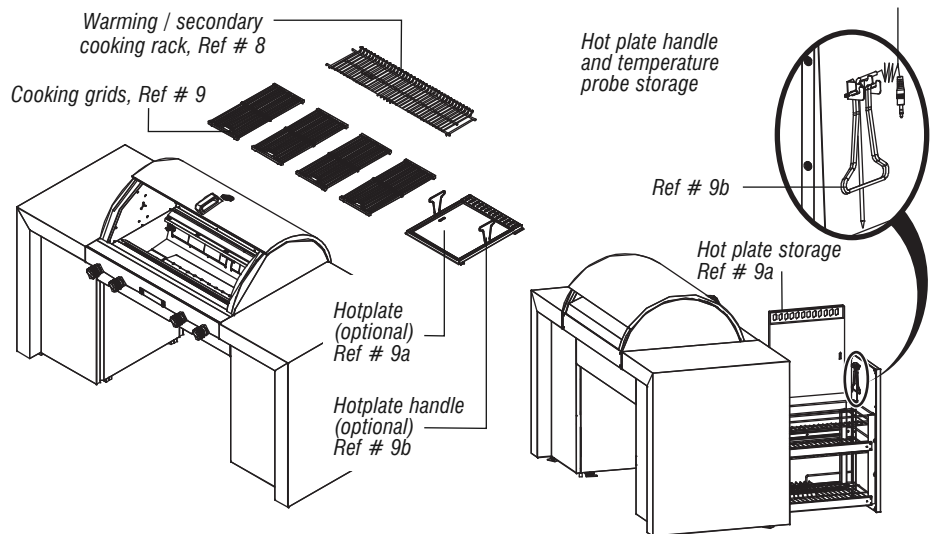
Pull out the grease tray bracket. Place the grease tray into the grease tray bracket as shown. Push the grease tray bracket back into position.



IGNITION BATTERY



COOKING COMPONENT INSTALLATION

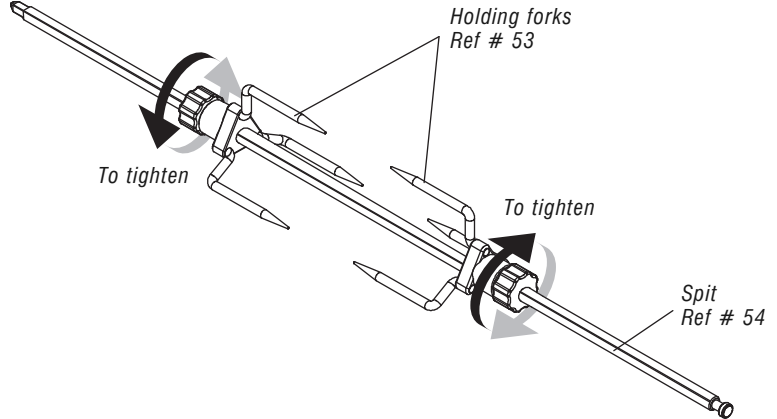


USING THE ROTISSERIE

NOTE: Remove the cooking grids and secondary cooking rack.

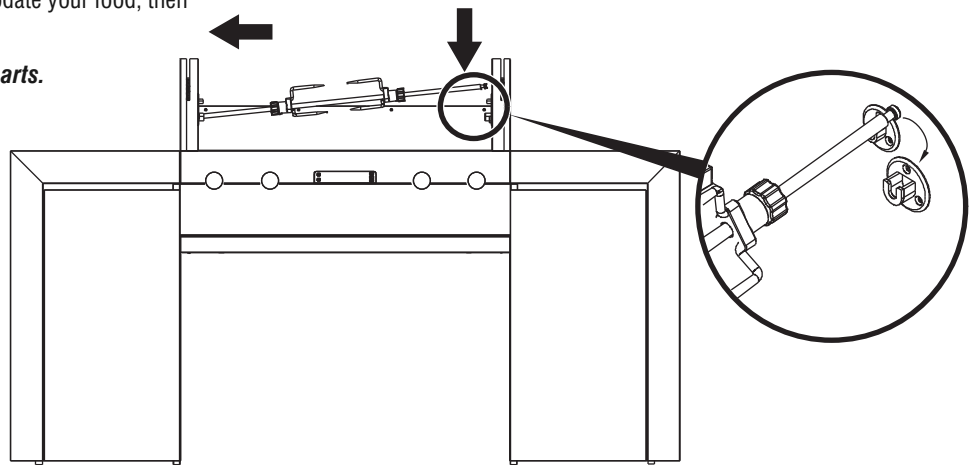
- 1 Remove all components from the carton.

NOTE: To avoid damage to the holding forks (Ref # 53) do not tighten the nuts unless assembled to the spit rod (Ref # 54).



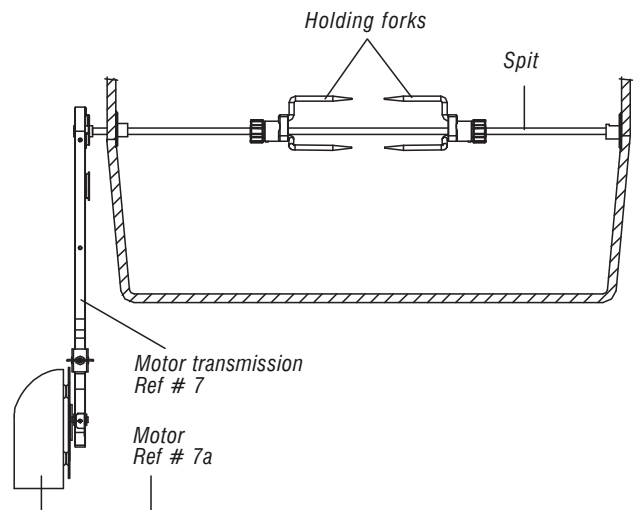
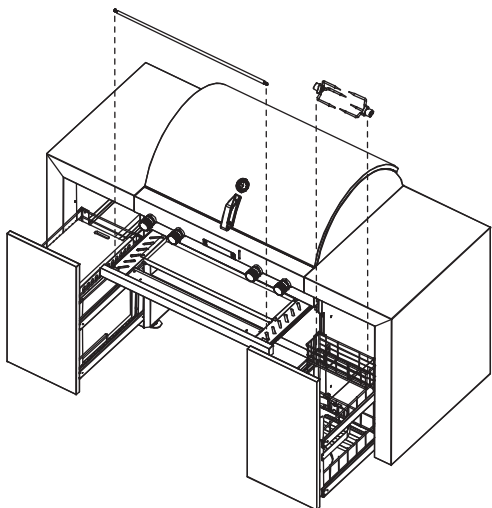
- 2 Slide a holding fork onto each end of the rotisserie spit. Adjust spacing between holding forks to accommodate your food, then turn clockwise until the screw stops.

NOTE: Use oven mitt when handling hot parts.



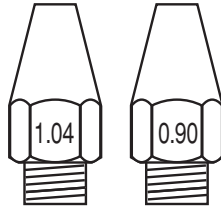
- 3 Check if the motor socket wire has been connected to the LCD plug wire. (The motor socket wire has been connected by the manufacturer and the connection may have loosened if the grill has been frequently shifted.) If the wire connection is loose, reconnect the wire and socket. Ensure you have completed installation step 6, page 3 before testing the rotisserie or turning it on.

BEFORE rotisserie cooking you will need to remove the cooking grid(s) and possibly the griddle from your grill.



- 4 If the rotisserie is not used, you can put the rotisserie spit in the grease tray bracket and put the holding forks in the right basket as shown.

INJECTOR



1.04 mm - I 3+ (28-30/37)
- I 3B/P (30)
0.90 mm - I 3B/P (50)

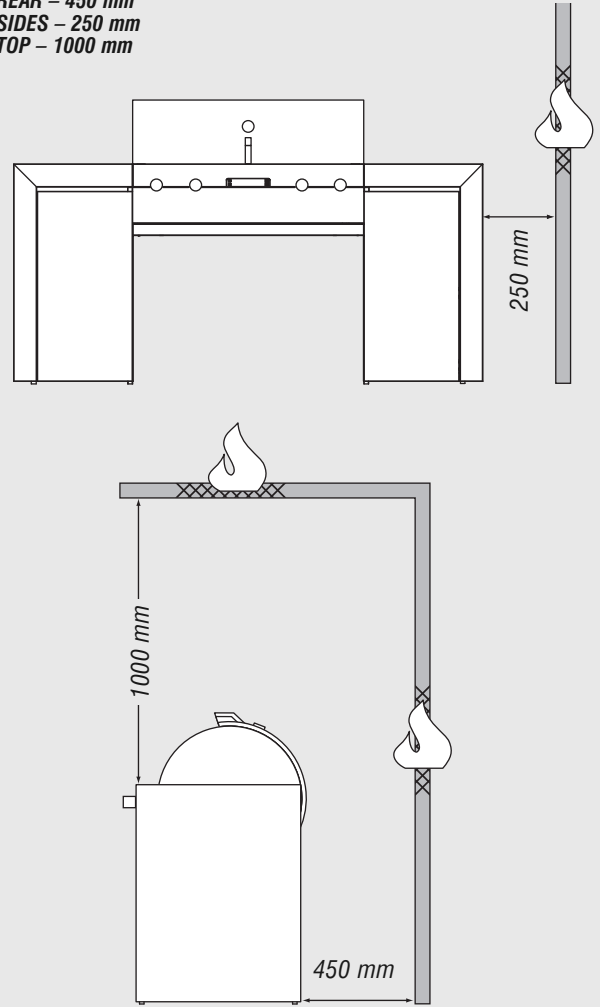
INPUT

18.4 kW - 1335 grams / h

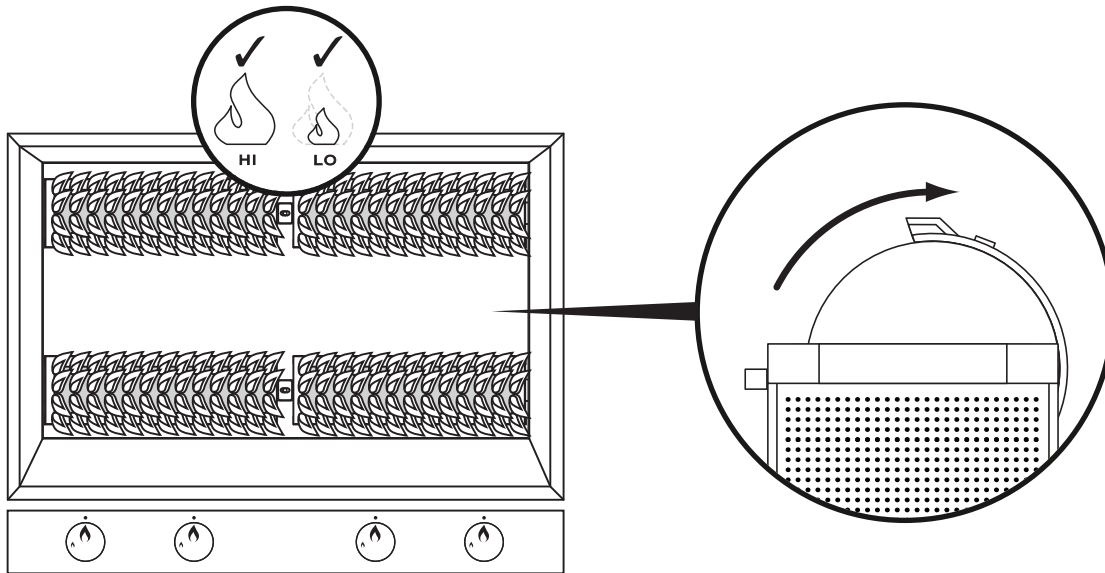


WARNINGS INFORMATION

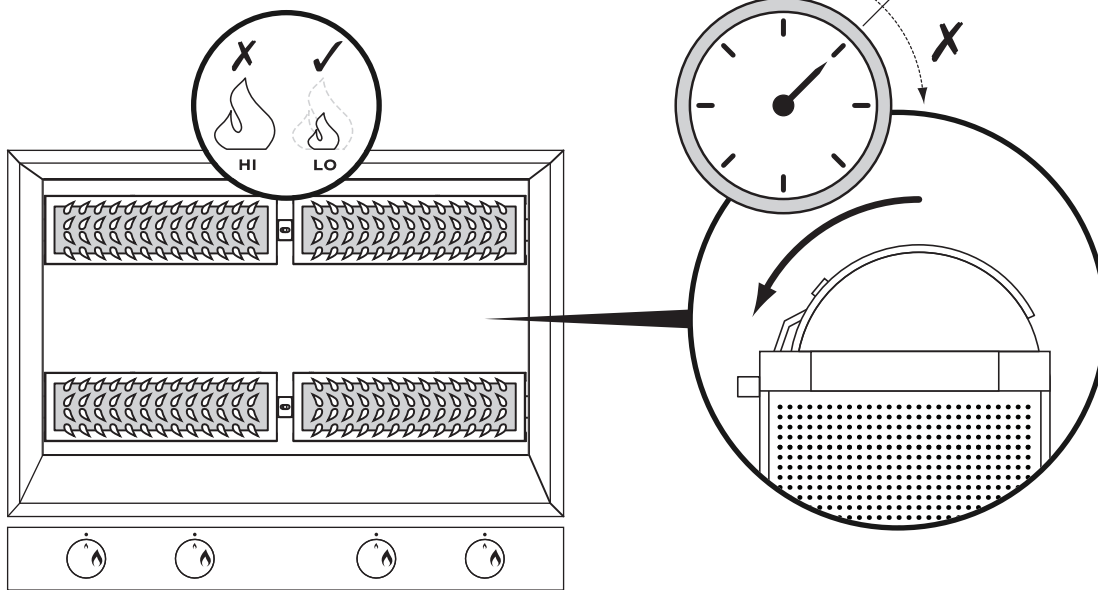
- **MINIMUM CLEARANCES FROM COMBUSTIBLE MATERIALS MUST BE:**
REAR - 450 mm
SIDES - 250 mm
TOP - 1000 mm



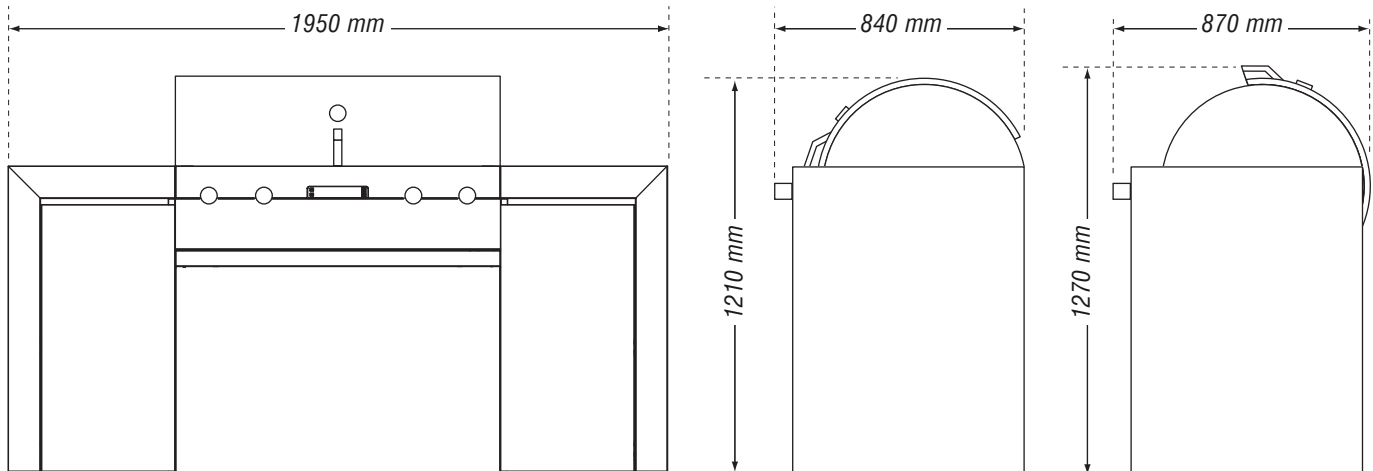
COOKING WITH HOOD OPEN



COOKING WITH HOOD DOWN



DIMENSIONS



PARTS LIST

Ref	Description	Part #	Qty
1	Hood assembly – outer	P0014513A5	1
1a	Protective pads	P05518018I	2
2	Temperature gauge	P00601357B	1
3	Hood handle	P00215034F	1
4	Hood assembly – inner	P0014514E5	1
5	Hood hinge	P05547004D	2
5a	Hinge pin	P05501137A	2
6	Lid bracket	P033031165	2
7	Motor transmission	P05378002B	1
7a	Rotisserie motor	P07102002A	1
7b	Gear shaft	P05508201C	1
8	Secondary cooking rack	P015160275	1
9	Grill plate	P01615035F	4
9a	Hot plate	P057050035	1
9b	Hotplate handles (optional)	P055151325	2
10	Gas fitting	P03907009A	1
11	Bowl panel – rear upper	P007560265	1
12	Bowl panel fixed shield – rear upper	P0075603E5	1
13	Hood spring bracket set – left	P055510037	1
14	Hood spring bracket set – right	P055510047	1
14a	Spring protective pad	P05518045I	2
15	Spring	P05504113N	2
16	Bowl frame A panel – rear	P007259865	1
17	Bowl frame A	P0071363S5	1
18	Bowl frame A bracket	P013180035	2
20	Bowl frame trim panel – left	P0072091B5	1
21	Bowl frame trim panel – right	P0072192B5	1
22	Universal hose barb – CE	P03901024A	1
23	Cooking secondary rack bracket	P01529001A	4
24a	Spit bracket – left	P05552001A	1
24b	Spit bracket – right	P05552002A	1
25	Control panel heat shield	P0300917EB	1
26	Bowl frame B	P013180055	1
27	Grease tray heat shield	P069040485	1
28	Grease shield – lower	P069021245	2
29	Grease shield – upper	P069021255	2
30	Infrared burner assembly	P020050235	4
31	Gas collector box	P02212377A	2
32	Bowl	P0073957E5	1
33	Thermocouple for gas valve – long	P05305047A	2
34	Thermocouple for gas valve – short	P05305040D	2
35	Thermocouple for LED – long	P05305048A	2
36	Thermocouple for LED – short	P05305049A	2
37	Thermocouple bracket – LF / RR	P03327058C	2
38	Thermocouple bracket – RF / LR	P03327059C	2
38a	Thermocouple protector	P03343015C	4
39	Electrode	P02614055A	4
40	Grease tray	P02717575B	1
41	Grease tray bracket	P03327073D	2
41a	Grease tray bracket slide set	P05516140M	1
42	Jet – 30 mbar	P06539015A	4
	– 50 mbar	P06539016A	4
43	Gas valve / manifold assembly – 30 mbar	Y0060641	1 set
	– 50 mbar	Y0060642	1 set
43a	Valve without jet – left, 30 mbar	P03246006A	2
	50 mbar	P03246007A	2

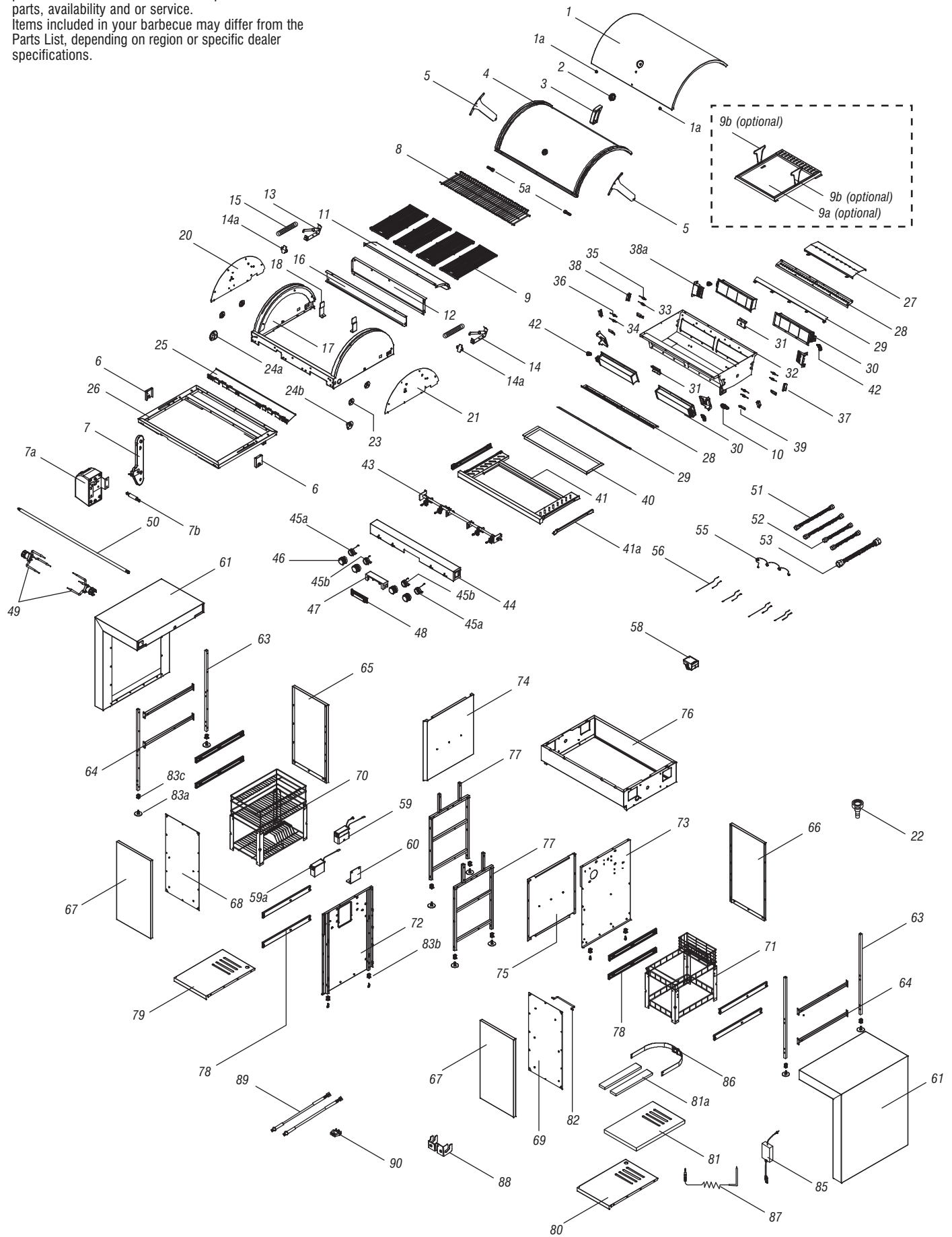
Ref	Description	Part #	Qty
43b	Valve without jet – right, 30 mbar	P03246010A	2
	50 mbar	P03246011A	2
43c	Manifold	P05005331A	1
44	Control panel – 30 mbar	P02914238A	1
	– 50 mbar	P02914238B	1
45a	Control knob seat with LED – long	P03401444V	2
45b	Control knob seat with LED – short	P03401454V	2
46	Control knob	P03401404V	4
47	LCD heat insulating spacer	P05357005D	1
48	LCD assembly	P05357006B	1
49	Holding forks	P05508198M	2
50	Spit rod	P05508199A	1
51	SS connection hose – long	P03702016F	2
52	SS connection hose – short	P03702035F	2
53	Manifold extension tube	P03715016F	1
55	Electric wire – 4 contact	P02627011A	1
56	Electric wire set	P02615150A	1
58	Electric igniter – 4 port	P02502364C	1
59	Battery set	P05301004B	1
59a	Spare battery box	P05301005Q	1
60	Battery bracket	P03348001D	1
61	Island side panel – left / right	P011060495	2
63	Island bracket	P03334006D	4
64	Support bracket	P03331017D	4
65	Island panel – left rear	P07702107B	1
66	Island panel – right rear	P07702108B	1
67	Door	P04304010B	2
68	Door trim plate – left	P04316002B	1
69	Door trim plate – right	P04316003B	1
70	Basket – left	P05203009G	1
71	Basket – right	P05203014G	1
72	Island panel – left	P07617047B	1
73	Island panel – right	P07617048B	1
74	Island decorative panel – left	P07605034B	1
75	Island decorative panel – right	P07606036B	1
76	Island frame assembly	P01306027D	1
77	Island side panel bracket assembly	P03334007D	2
78	Slide set	P05516139M	4 sets
79	Island bottom panel – left	P01001039D	1
80	Island bottom panel – right	P01001040D	1
81	Gas cylinder tray	P04021012C	1
81a	Gas cylinder tray support	P033031324	2
82	Tool holder	P05212014A	1
83a	Level adjuster A	P05322005B	8
83b	Level adjuster B	P05322006A	4
83c	Leg spacer	P06802008G	12
85	Changer	P05384005B	1
86	Gas cylinder fastening strap	P05314002V	1
87	Temperature probe	P05385001B	1
88	Grate handle hook	P05514135G	1
89	Connection wire set	P02615170A	1
90	Cord holder	P055530013	1
	Operator's manual	P80184007B	1

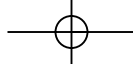
Optional parts to purchase

9a	Griddle – optional	P057050035	1
9b	Griddle handle – optional	P055151325	2
	Cover – optional	P07007055A	1

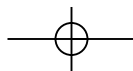
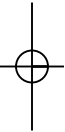
PARTS DIAGRAM

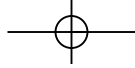
This diagram is provided to assist you identify parts if replacement is necessary. Contact your place of purchase or the manufacturer to enquire about parts, availability and or service. Items included in your barbecue may differ from the Parts List, depending on region or specific dealer specifications.



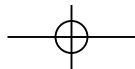
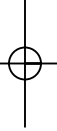
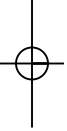


NOTES





NOTES



US Patented
 Europe Patent Pending
 Australia Patent No.:2006100635
 Germany Patent No.:202006012212.5
 France Patent No.:0607231
 UK Patent No.:GB2440714
 China Patent No.:960361

(IE) (GB) NOTE: This information is a guide only. Items included in your BBQ specification may differ depending on region or specific dealer specification.

(CH) (FR) NOTE: Ces renseignements sont donnés à titre indicatif. Il est possible que les articles inclus dans les spécifications de votre barbecue diffèrent selon la région ou les caractéristiques stipulées par le concessionnaire.

(AT) (CH) (DE) ANMERKUNG: Diese Anleitung dient nur zu Informationszwecken. Einzelteile der Grillspezifikation sind unter Umständen verschieden entsprechend der Vertriebsregion oder bestimmten Händleranforderungen.

(CH) (IT) AVVERTENZA: Queste informazioni hanno il valore di guida soltanto. Gli articoli compresi nelle caratteristiche tecniche del barbecue potrebbero variare a seconda della regione o del concessionario.

(LU) (BE) (NL) ATTENTIE: Deze informatie is alleen bedoeld als gids. Onderdelen in uw BBQ specificatie en pakket kunnen per regio of per dealer verschillen.

(SE) ANM.: Denna information är endast avsedd som handledning. Specifikationerna för grillen kan variera regionalt eller beroende på de krav som olika återförsäljare har.

(FI) HUOMATKAA: Nämä tiedot ovat pelkästään suuntaa antavia. Ostamanne grillin yksityiskohdat voivat olla erilaiset paikkakunnan tai erityisten myyjäkohtaisten yksityiskohtien mukaan.

(ES) NOTA: Esta información es una guía únicamente. Es posible que las indicaciones incluidas en las especificaciones de su Asador sean diferentes según la región o las especificaciones específicas del representante.

(PT) NOTA: Esta informação é simplesmente um guia. Os itens incluídos na especificação do seu BBQ poderão diferir dependendo da especificação da região ou do vendedor específico.

(DK) NB: Denne information er kun vejledende. Specifikationer kan variere efter ønske fra forhandler, eller i henhold til nationale regler.

(NO) NB: Denne informasjon er kun veiledende. Spesifikasjoner kan variere som stipulert av forhandler, eller i henhold til nasjonale krav.

(PL) UWAGA: Informacje te służą jedynie, jako wskazówki. Elementy wchodzące w skład specyfikacji twojego grilla mogą się różnić w zależności od regionu lub szczególnych specyfikacji dealera.

grandhall

living style

SERVICE

service@grandhall.eu

Grand Hall Europe
 PO Box 431
 7570 AK Oldenzaal
 The Netherlands

T: +31 (0) 541 531669
 F: +31 (0) 541 534563

www.grandhall.eu

All specifications are subject to change without notice.

Toutes les caractéristiques sont susceptibles d'être modifiées sans préavis.

Änderungen ohne vorherige Bekanntgabe vorbehalten.

Tutti i dati tecnici possono cambiare senza preavviso.

Alle specificaties kunnen zonder voorafgaande kennisgeving worden gewijzigd.

Kaikki oikeudet teknisten tietojen muutoksiin pidätetään.

Kaikki yksityiskohdat voivat muuttua ilman, että niistä erikseen ilmoitetaan.

Todas las especificaciones están sujetas a cambios sin previo aviso.

Todas as especificações estão sujeitas a alteração sem aviso.

Alle specifikationer kan ændres foruden varsel.

Spesifikasjoner kan endres uten varsel.

Wszystkie specyfikacje mogą ulec zmianie bez uprzedzenia.

Manufacturer:

Grand Hall Enterprises Co. Ltd.
 9th Fl. No 298 Rueiguang Rd
 Neihu, Taipei, Taiwan