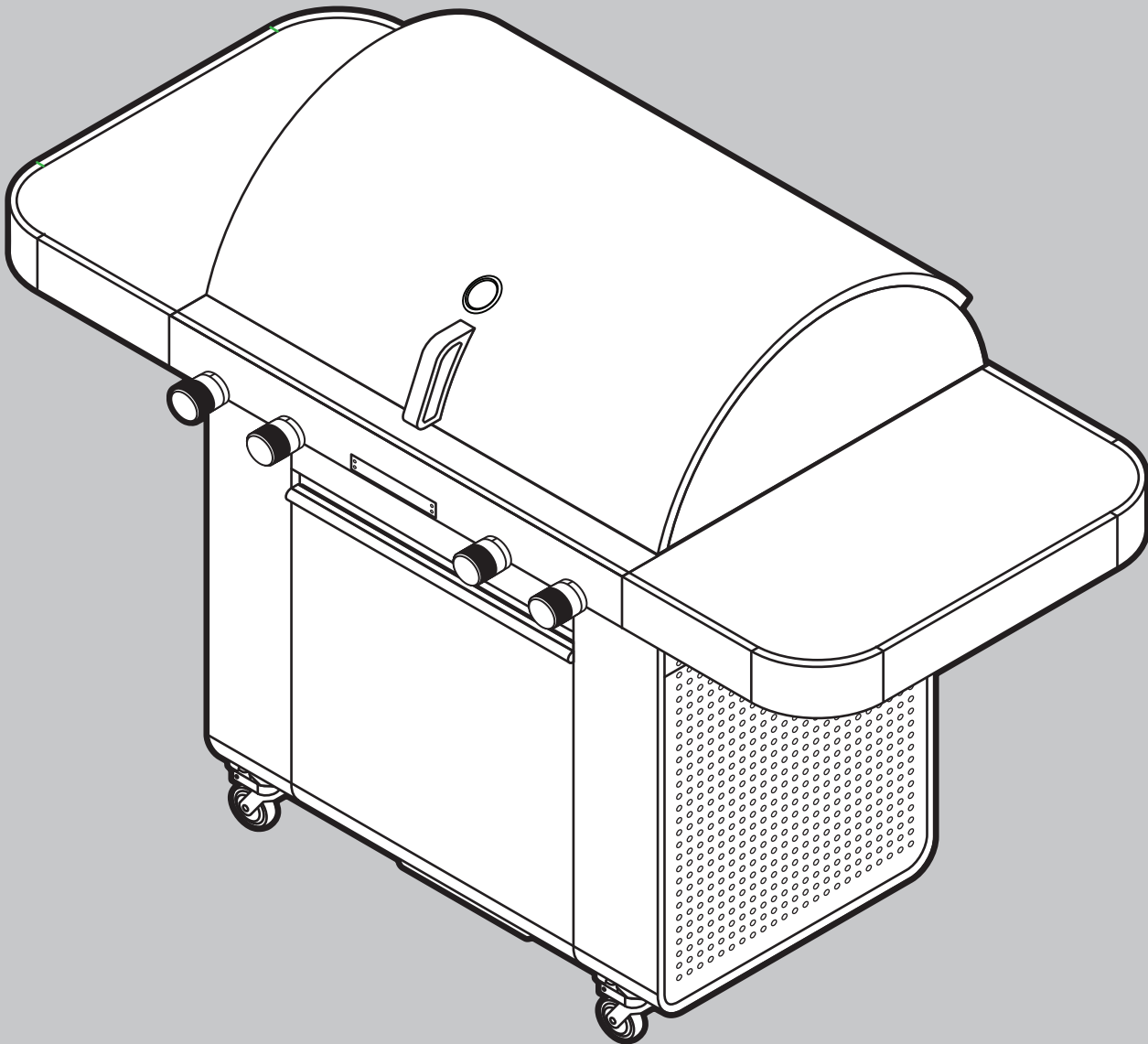


Design by

**PORSCHE DESIGN
STUDIO**

X-series

grandhall
living style



IE GB Assembly instructions

CH FR Instructions d'assemblage

AT CH DE Montageanweisungen

CH IT Istruzioni per il montaggio

LU BE NL Montage-instructies

SE Montering

FI Kokoamisohjeet

ES Instrucciones de armado

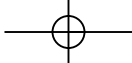
PT Instruções para Montagem

DK Monteringsvejledning

NO Montering

PL Instrukcje

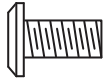
CE 0087



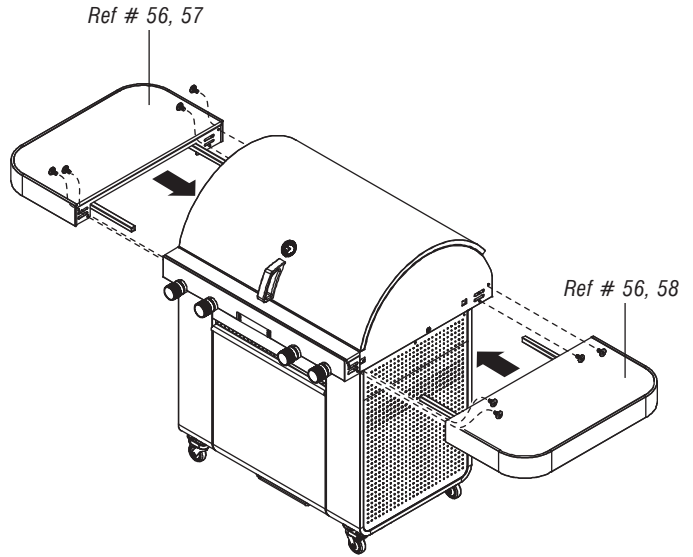
ASSEMBLY

CAUTION : While possible for one person to assemble this barbecue, it is recommended obtaining assistance from a second person when handling some of the larger heavier pieces.

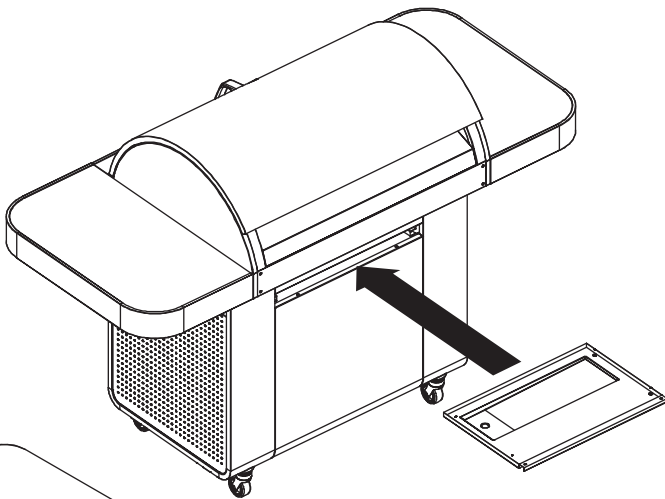
- ① Install side shelves.



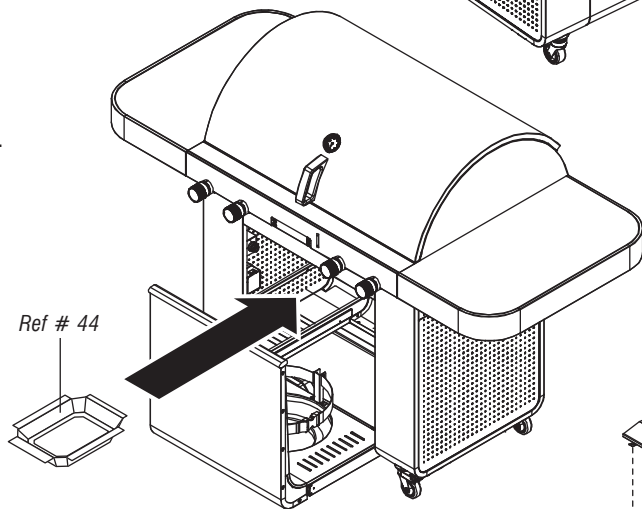
Pan-head screw 1/4" x 3/8"
Qty. 8
Part # S182G04061



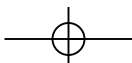
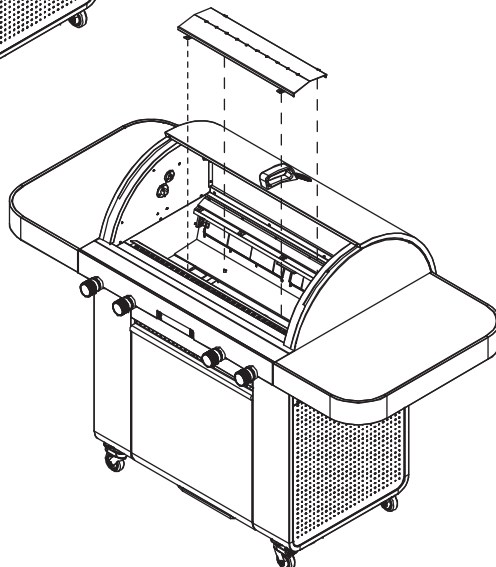
- ② Install grease tray.



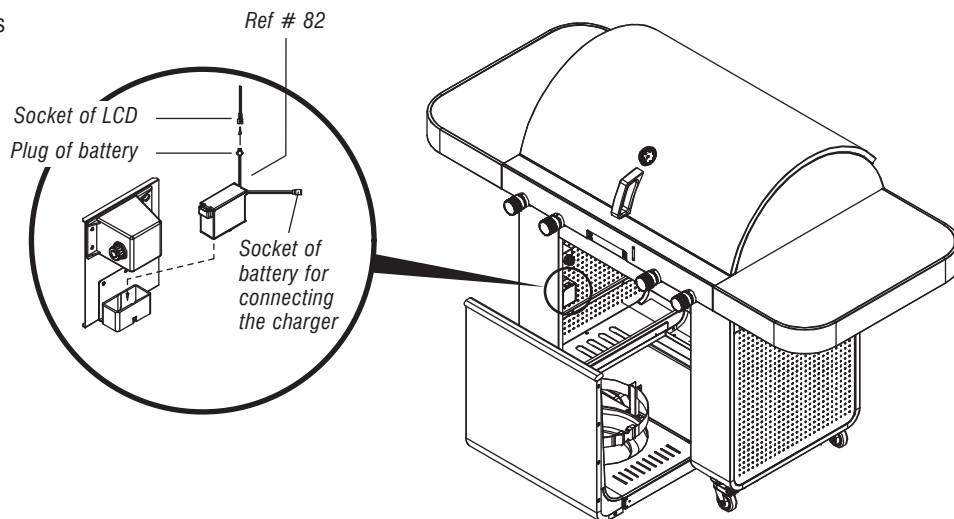
- ③ Install grease receptacle.



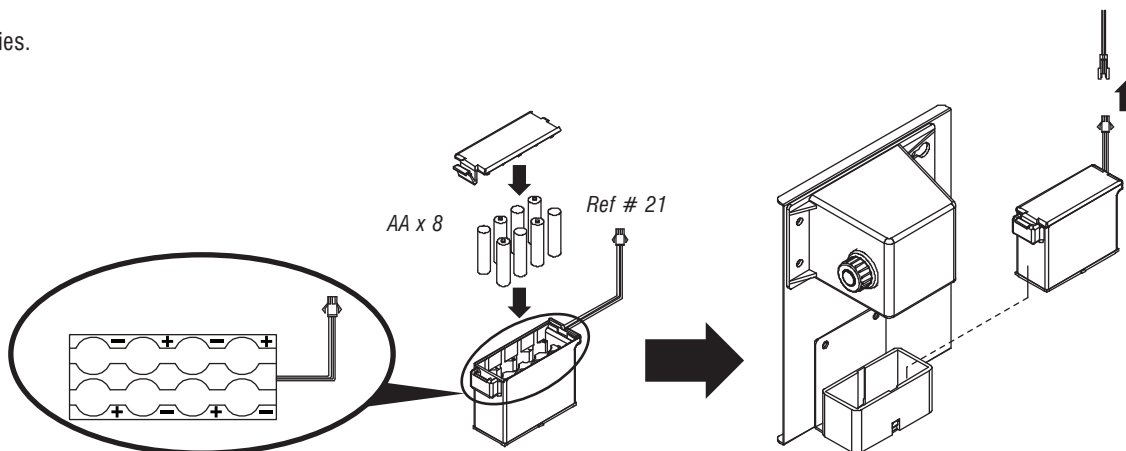
- ④ Install grease tray heat shield.



⑤ Install battery pack and connect wires

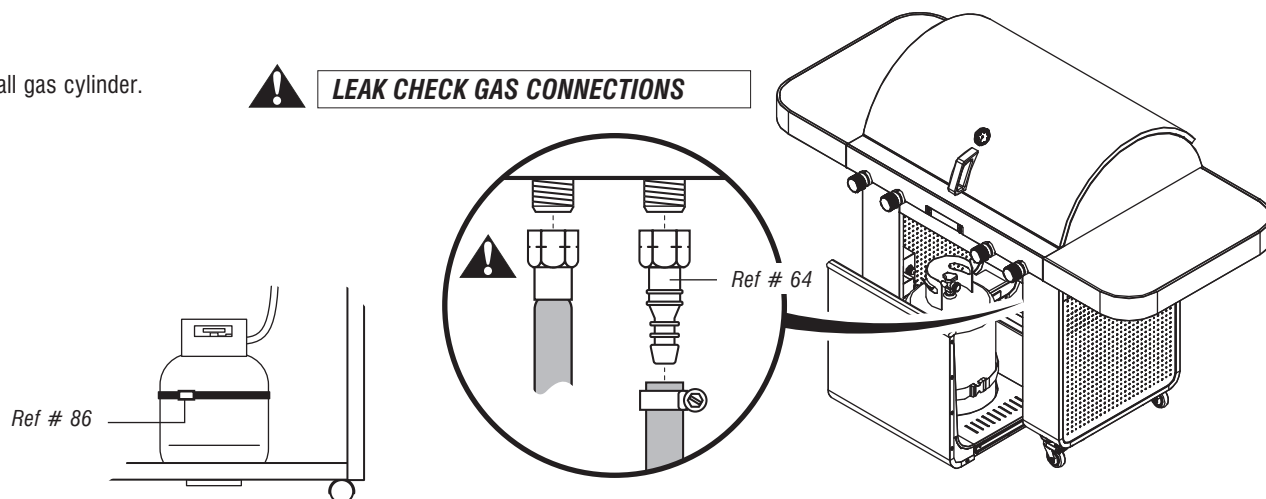


⑥ Install back-up batteries.

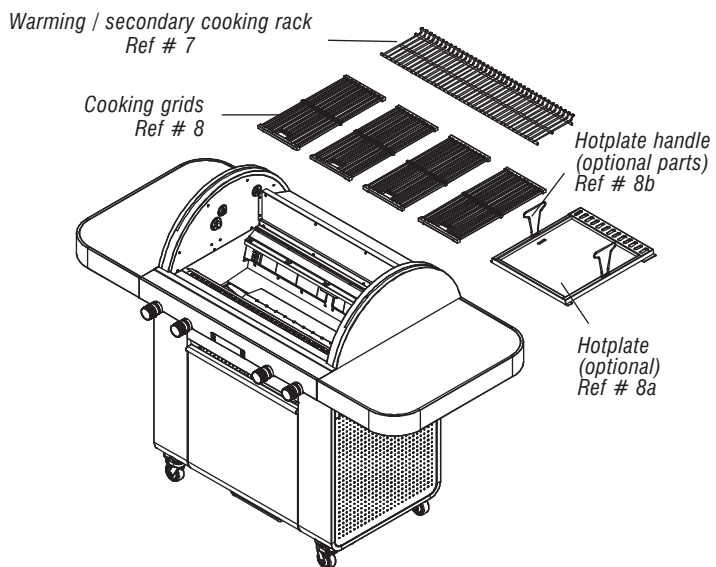


⑦ Install gas cylinder.

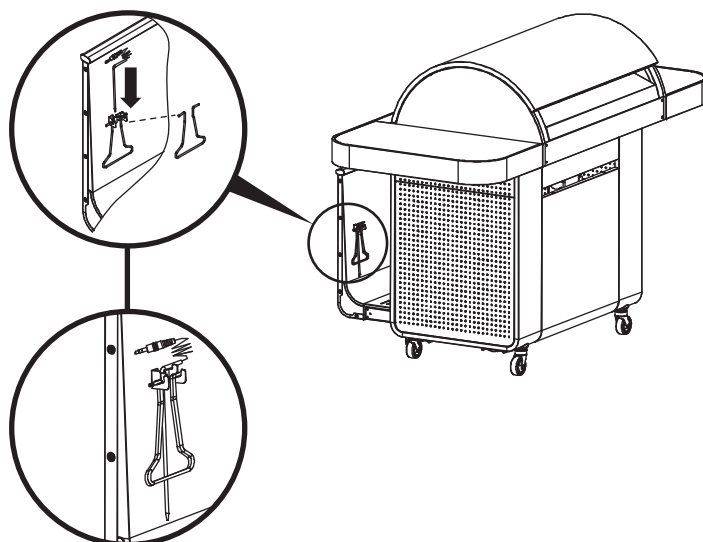
⚠ LEAK CHECK GAS CONNECTIONS



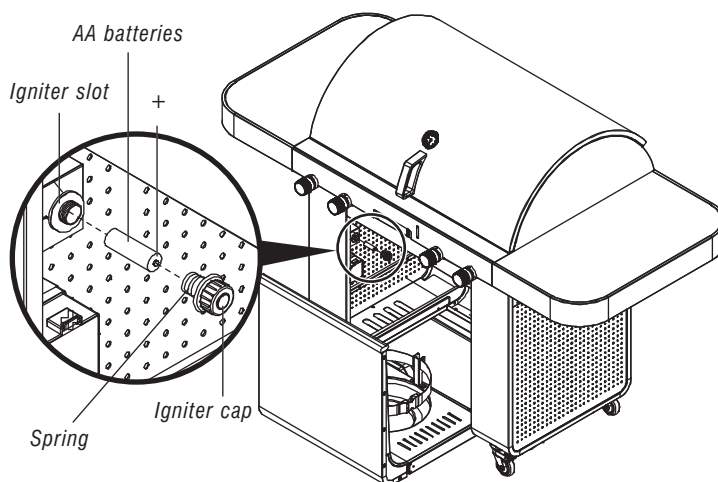
⑧ Install cooking components.



⑨ Optional hotplate – handle storage.

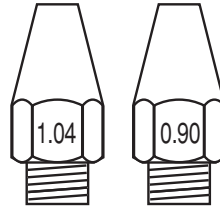


⑩ Install ignition battery.




WARNINGS INFORMATION

- (GB)** DO NOT OBSTRUCT THE VENTILATION OPENINGS IN THE TROLLEY.
- (FR)** NE PAS BOUCHER LES OUVERTURES DE VENTILATION DANS LE CHARIOT.
- (DE)** NICHT DIE VENTILATIONSÖFFNUNGEN IM WAGEN BLOCKIEREN.
- (IT)** NON OSTRUIRE LE APERTURE DI VENTILAZIONE DEL CARRELLO.
- (NL)** DE VENTILATIEOPENINGEN IN DE TROLLEY NIET BLOKKEREN.
- (SE)** BLOCKERA EJ VENTILATIONSHÅLEN I GRILLBAREN.
- (FI)** KÄRRYN TUULETUSAUUKKOJA EI SAA PEITTÄÄ.
- (ES)** NO OBSTRUYA LAS ABERTURAS DE VENTILACIÓN DEL CARRITO.
- (PT)** NÃO OBSTRUA AS ABERTURAS DE VENTILAÇÃO NO TRÓLEI.
- (DK)** VENTILATIONSÅBNINGEN I TROLLEYEN MÅ IKKE SPÆRRES.
- (NO)** VENTILASJONSÅPNINGENE PÅ TRALLEN MÅ IKKE TILDEKES.
- (PL)** NIE BLOKOWAĆ OTWORÓW WENTYLACYJNYCH NA WÓZKU

INJECTOR


1.04 mm – I 3+ (28-30/37)

– I 3B/P (30)

0.90 mm – I 3B/P (50)

INPUT

18.4 kW – 1335 grams / h

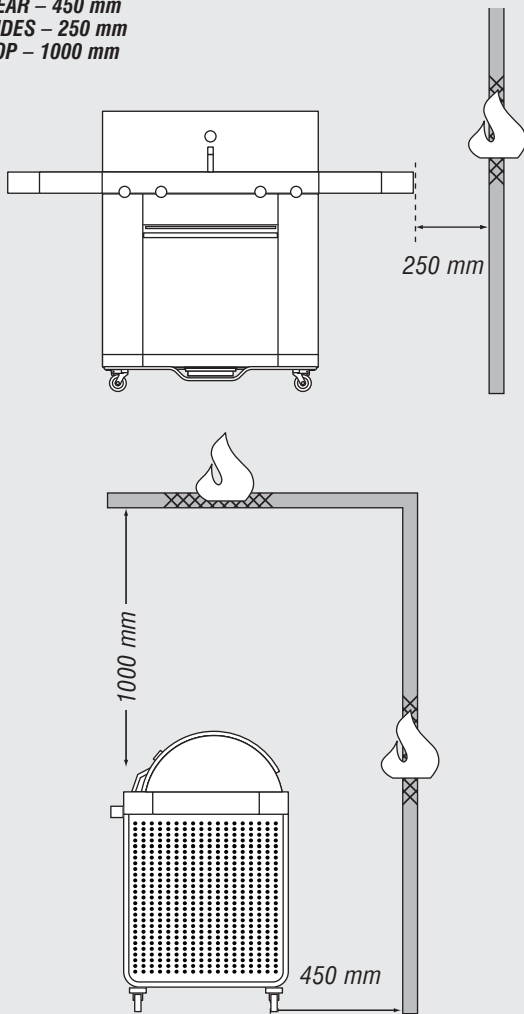
WWW
NOTE:

 Register your Outdoor Kitchen at www.grandhall.eu

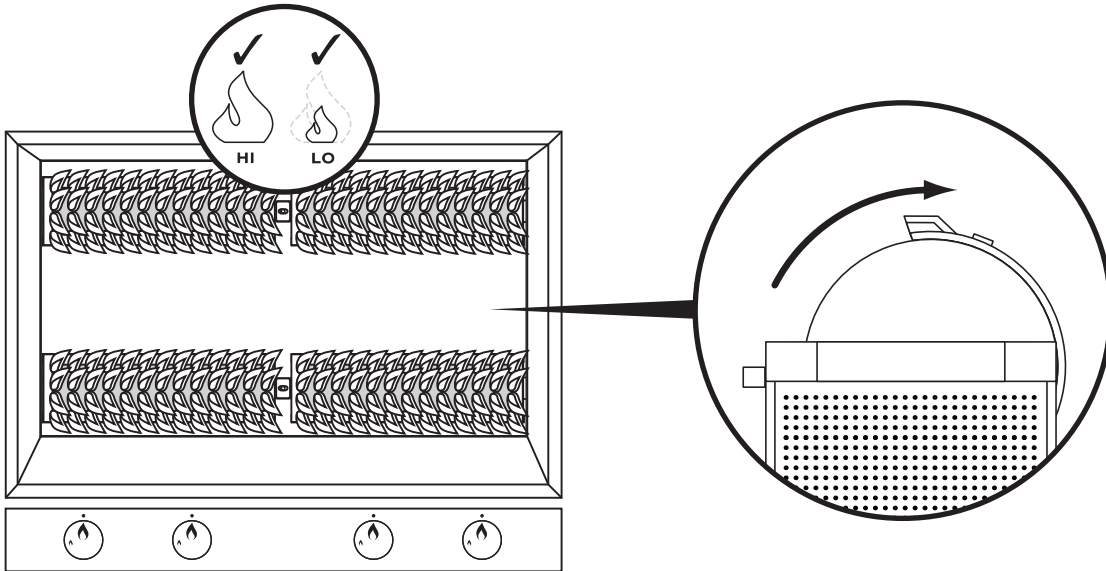
 For Tips and Tricks, visit www.grandhall.eu/tips

WARNINGS INFORMATION

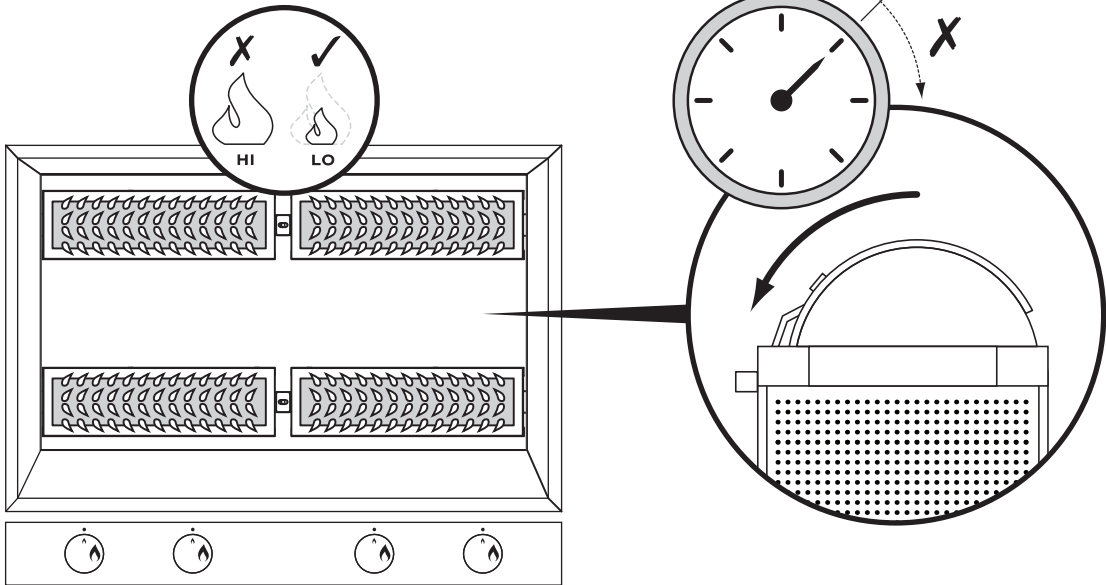
- **MINIMUM CLEARANCES FROM COMBUSTIBLE MATERIALS MUST BE:**
 REAR – 450 mm
 SIDES – 250 mm
 TOP – 1000 mm



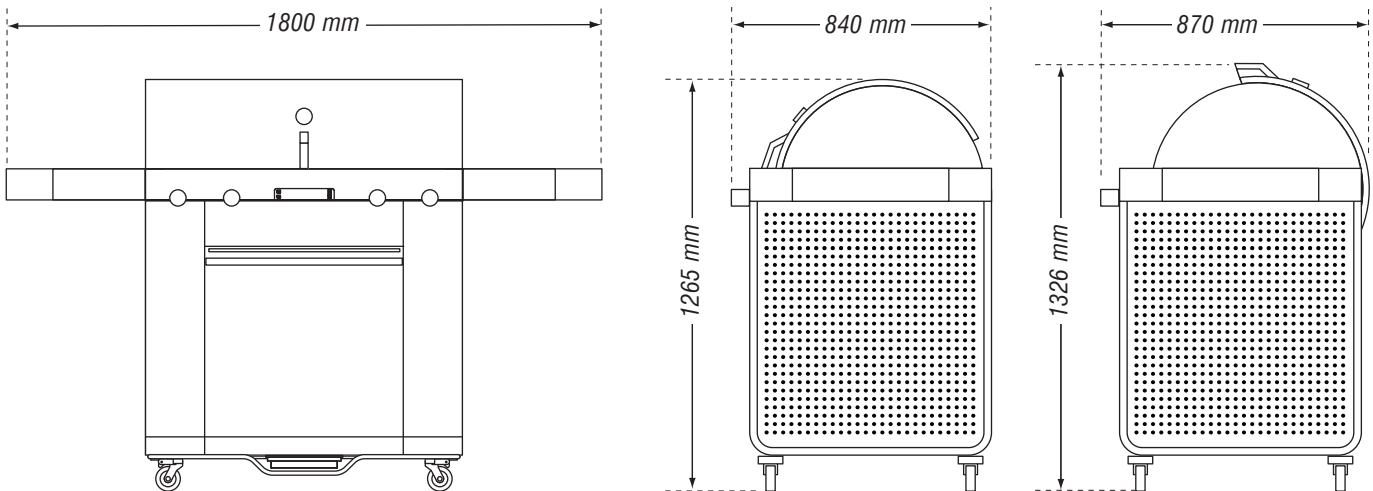
COOKING WITH HOOD OPEN



COOKING WITH HOOD DOWN



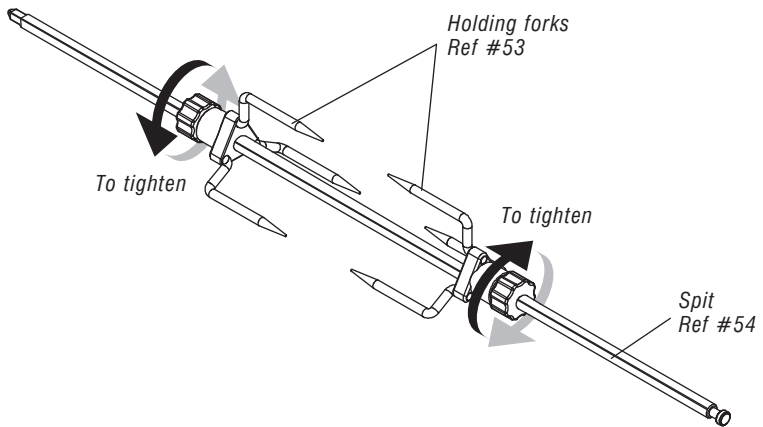
DIMENSIONS



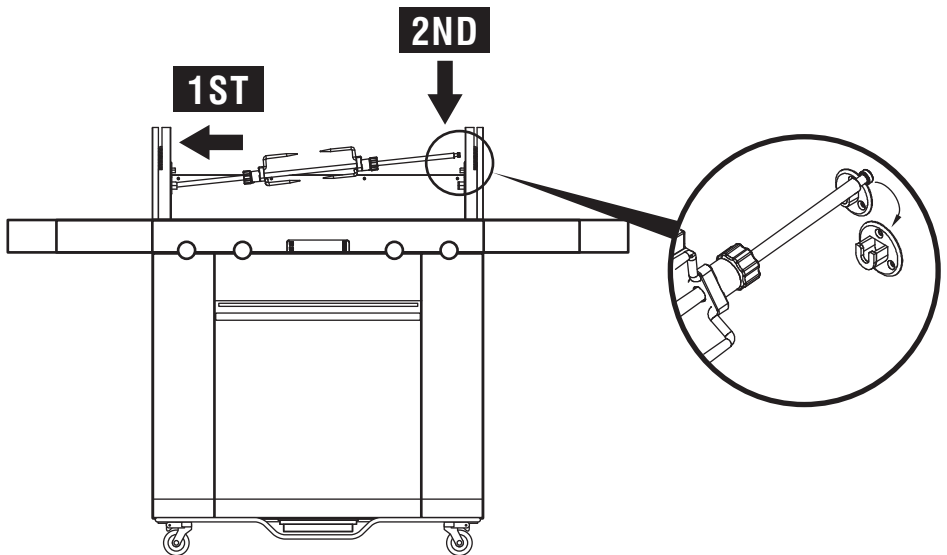
USING THE ROTISSERIE

NOTE: Remove the cooking grids and secondary cooking rack.

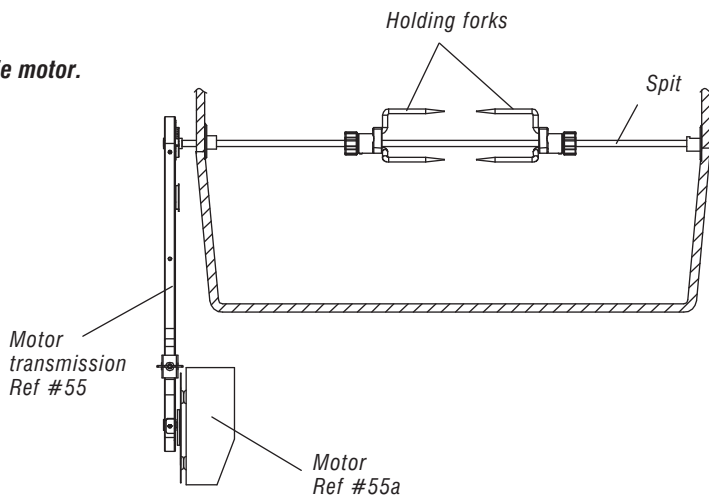
- ① Remove all components from the carton.



- ② Slide a holding fork onto each end of the rotisserie spit. Adjust spacing between holding forks to accommodate your food, then turn clockwise until the screw stops.



NOTE: Refer to the operation manual to operate the rotisserie motor.



PARTS LIST

Ref	Description	Part #	Qty
1	Lid assembly outer	P0014513PK	1
1a	Protective pad	P05518018I	2
2	Temperature gauge	P00601355B	1
3	Lid handle	P00215034D	1
4	Lid assembly inner	P0014514E5	1
5	Lid hinge	P05547004D	2
5a	Hinge pin	P05501137A	2
6	Lid bracket	P033031165	2
7	Cooking rack /secondary	P015160275	1
8	Cooking grid	P01615035F	4
8a	Hotplate (optional)	P057050035	1
8b	Hotplate handles (optional)	P055151255	2
9	Gas fitting	P03907007A	1
10	Bowl panel – rear / upper	P007560265	1
11	Bowl panel fixed shield – rear / upper	P0075603E5	1
12	Lid spring bracket set – left	P055510037	1
13	Lid spring bracket set – right	P055510047	1
13a	Protective pad for spring bracket	P05518045I	2
14	Spring	P05504113N	2
15	Bowl frame A panel – rear	P007259865	1
16	Bowl frame A	P0071363S5	1
17	Bowl frame A bracket	P013180035	2
19	Bowl frame panel – left	P0072091B5	1
20	Bowl frame panel – right	P0072192B5	1
21	Spare battery box	P05301005Q	1
22	Cooking rack bracket / secondary	P01529001A	4
23	Spit bracket – left	P05552001A	1
24	Spit bracket – right	P05552002A	1
25	Control panel heat shield	P0300917EB	1
26	Bowl frame B	P013180045	1
27	Grease tray heat shield	P069040485	1
28	Grease shield – lower	P069021245	2
29	Grease shield – upper	P069021255	2
30	Infrared burner assembly	P020050235	4
31	Cross over channel	P02212377A	2
32	Bowl assembly	P0073951E5	1
33	Thermocouple for gas valve – long	P05305047A	2
34	Thermocouple for gas valve – short	P05305040D	2
35	Thermocouple for LED – long	P05305048A	2
36	Thermocouple for LED – short	P05305049A	2
37	Thermocouple bracket	P03327058C	2
38	Thermocouple bracket	P03327059C	2
38a	Thermocouple protector	P03343015C	4
39	Electrode	P02614055A	4
40a	Grease tray bracket – left	P03327065D	1
40b	Grease tray bracket – right	P03327085D	1
41	Grease tray	P02717565B	1
42	Separation panel	P01005051D	1
43	Grease receptacle bracket	P03327066D	2
44	Grease receptacle	P02701305B	1
45	Orifice – 30 mbar	P06539015A	4
	– 50 mbar	P06539016A	4
46	Gas valve / manifold assembly – 30 mbar	Y0060641	1
	– 50 mbar	Y0060642	1

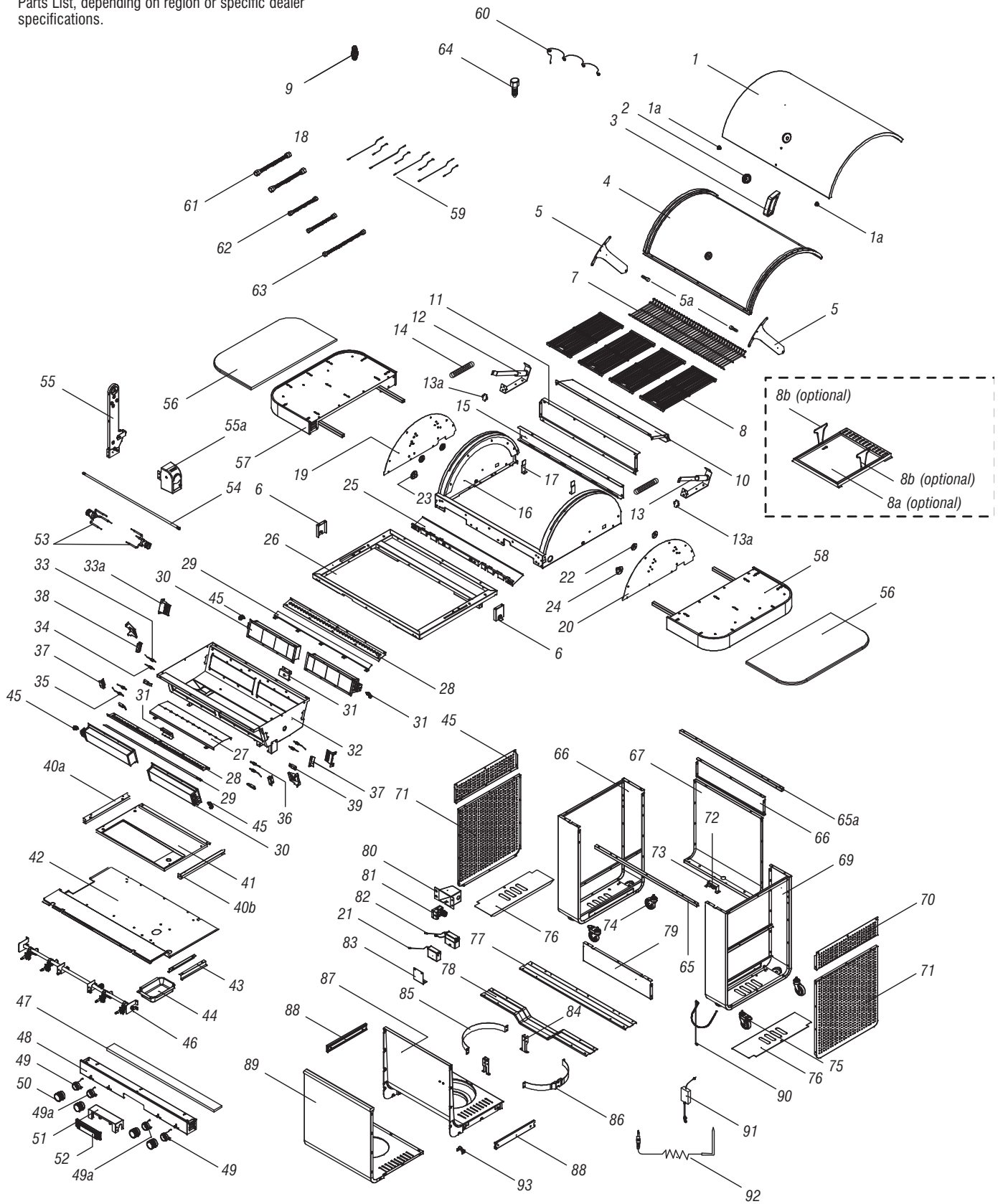
Ref	Description	Part #	Qty
47	Control panel – upper, 30 mbar	P0291417KC	1
	– upper, 50 mbar	P0291417KD	1
48	Control panel	P02914188A	1
49	Control knob seat with LED and wire – long	P03401394V	2
49a	Control knob seat with LED and wire – short	P03401414V	2
50	Control knob	P03401404V	4
51	LCD heat insulating spacer	P05357005D	1
52	LCD assembly	P05357006B	1
53	Rotisserie holding fork	P05508198M	2
54	Rotisserie spit	P05508199A	1
55	Motor transmission	P05378001B	1
55a	Motor – DC	P07102001A	1
56	Side shelf trim panel	P07502030S	2
57	Side shelf – left	P01106048T	1
58	Side shelf – right	P01107045T	1
59	Electronic wire set	P02615149A	1
60	Electronic wire – 4 contact	P02627005A	1
61	Connection hose – long	P03702001F	2
62	Connection hose – short	P03702035F	2
63	Connection hose	P03715016F	1
64	Universal hose barb	P03901024A	1
65	Trolley panel bracket – front	P03334004D	1
65a	Trolley panel bracket – rear	P03334010D	1
66	Trolley panel – rear upper	P07702115B	1
67	Trolley panel – rear lower	P07702103B	1
68	Trolley panel – left	P07617046B	1
69	Trolley panel – right	P07618047B	1
70	Trolley trim panel – upper	P076010155	2
71	Trolley trim panel – lower	P076010165	2
72	Latch assembly	P05517016L	1
73	Latch bracket	P03337002D	1
74	Castor – 3"	P05112026A	2
75	Castor – 3" with brake	P05112027A	2
76	Castor decorative panel	P01001068D	2
77	Trolley bottom shelf bracket – rear	P03347001Q	1
78	Trolley bottom shelf bracket – front	P03347002Q	1
79	Trolley panel – front / upper	P07501015B	1
80	Igniter protector	P05545004G	1
81	Electronic igniter – 4 port	P02502364C	1
82	Battery pack / rechargeable	P05301004B	1
83	Battery bracket	P03348001D	1
84	Gas cylinder holder bracket	P04009032C	2
85	Gas cylinder holder panel	P05359002G	1
86	Gas cylinder fastening strap	P05314002V	1
87	Door trim panel with gas cylinder tray	P04316001B	1
88	Slide set	P05516138M	1
89	Door panel with gas cylinder tray	P04304009B	1
90	Lighting stick	P05507140M	1
91	Charger	P05384005B	1
92	Temperature probe	P05385001B	1
93	Grate handle hook	P05514135G	1

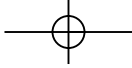
Optional parts to purchase

8a	Griddle – optional	P057050035	1
8b	Griddle handle – optional	P055151255	2
	Cover – optional	P07007052A	1

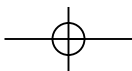
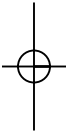
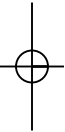
PARTS DIAGRAM

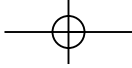
This diagram is provided to assist you identify parts if replacement is necessary. Contact your place of purchase or the manufacturer to enquire about parts, availability and or service. Items included in your barbecue may differ from the Parts List, depending on region or specific dealer specifications.



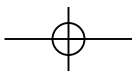
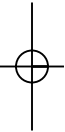


NOTES





NOTES



US Patented No.: 7,475,632
 Europe Patent Pending
 Australia Patent No.:2006100635
 Germany Patent No.:202006012212.5
 France Patent No.:0607231
 UK Patent No.:GB2440714
 China Patent No.:960361

(IE) (GB) NOTE: This information is a guide only. Items included in your BBQ specification may differ depending on region or specific dealer specification.

(CH) (FR) NOTE: Ces renseignements sont donnés à titre indicatif. Il est possible que les articles inclus dans les spécifications de votre barbecue diffèrent selon la région ou les caractéristiques stipulées par le concessionnaire.

(AT) (CH) (DE) ANMERKUNG: Diese Anleitung dient nur zu Informationszwecken. Einzelteile der Grillspezifikation sind unter Umständen verschieden entsprechend der Vertriebsregion oder bestimmten Händleranforderungen.

(CH) (IT) AVVERTENZA: Queste informazioni hanno il valore di guida soltanto. Gli articoli compresi nelle caratteristiche tecniche del barbecue potrebbero variare a seconda della regione o del concessionario.

(LU) (BE) (NL) ATTENTIE: Deze informatie is alleen bedoeld als gids. Onderdelen in uw BBQ specificatie en pakket kunnen per regio of per dealer verschillen.

(SE) ANM.: Denna information är endast avsedd som handledning. Specifikationerna för grillen kan variera regionalt eller beroende på de krav som olika återförsäljare har.

(FI) HUOMATKAA: Nämä tiedot ovat pelkästään suuntaa antavia. Ostamanne grillin yksityiskohdat voivat olla erilaiset paikkakunnan tai erityisten myyjäkohtaisten yksityiskohtien mukaan.

(ES) NOTA: Esta información es una guía únicamente. Es posible que las indicaciones incluidas en las especificaciones de su Asador sean diferentes según la región o las especificaciones específicas del representante.

(PT) NOTA: Esta informação é simplesmente um guia. Os itens incluídos na especificação do seu BBQ poderão diferir dependendo da especificação da região ou do vendedor específico.

(DK) NB: Denne information er kun vejledende. Specifikationer kan variere efter ønske fra forhandler, eller i henhold til nationale regler.

(NO) NB: Denne informasjon er kun veiledende. Spesifikasjoner kan variere som stipulert av forhandler, eller i henhold til nasjonale krav.

(PL) UWAGA: Informacje te służą jedynie, jako wskazówki. Elementy wchodzące w skład specyfikacji twojego grilla mogą się różnić w zależności od regionu lub szczególnych specyfikacji dealera.

grandhall

living style

SERVICE

service@grandhall.eu

Grand Hall Europe
 PO Box 431
 7570 AK Oldenzaal
 The Netherlands

T: +31 (0) 541 531669
 F: +31 (0) 541 534563

www.grandhall.eu

All specifications are subject to change without notice.

Toutes les caractéristiques sont susceptibles d'être modifiées sans préavis.

Änderungen ohne vorherige Bekanntgabe vorbehalten.

Tutti i dati tecnici possono cambiare senza preavviso.

Alle specificaties kunnen zonder voorafgaande kennisgeving worden gewijzigd.

Kaikki oikeudet teknisten tietojen muutoksiin pidätetään.

Kaikki yksityiskohdat voivat muuttua ilman, että niistä erikseen ilmoitetaan.

Todas las especificaciones están sujetas a cambios sin previo aviso.

Todas as especificações estão sujeitas a alteração sem aviso.

Alle specifikationer kan ændres foruden varsel.

Spesifikasjoner kan endres uten varsel.

Wszystkie specyfikacje mogą ulec zmianie bez uprzedzenia.

Manufacturer:

Grand Hall Enterprises Co. Ltd.
 9th Fl. No 298 Rueiguang Rd
 Neihu, Taipei, Taiwan