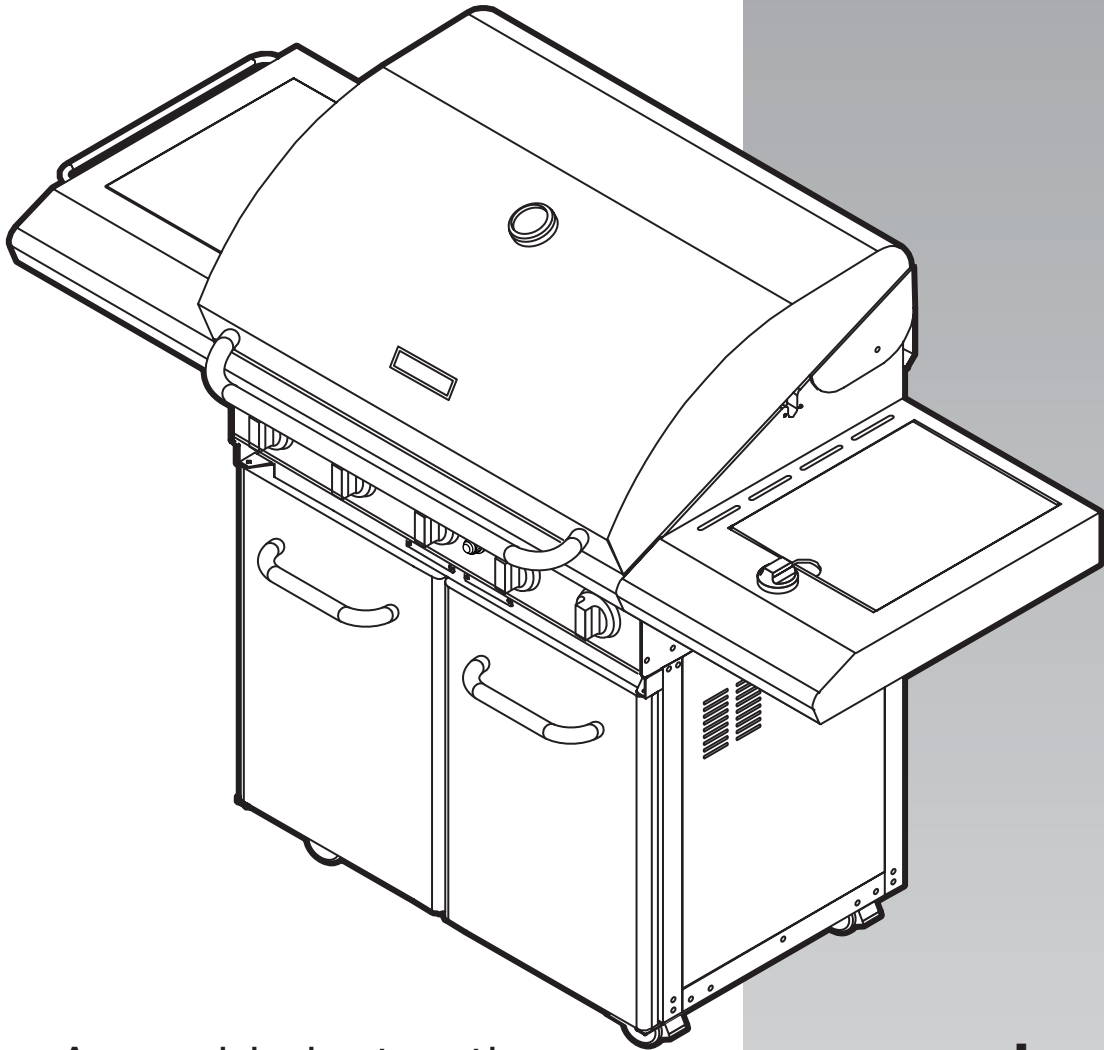


CE

grandhall
outdoor living style

gas barbecue



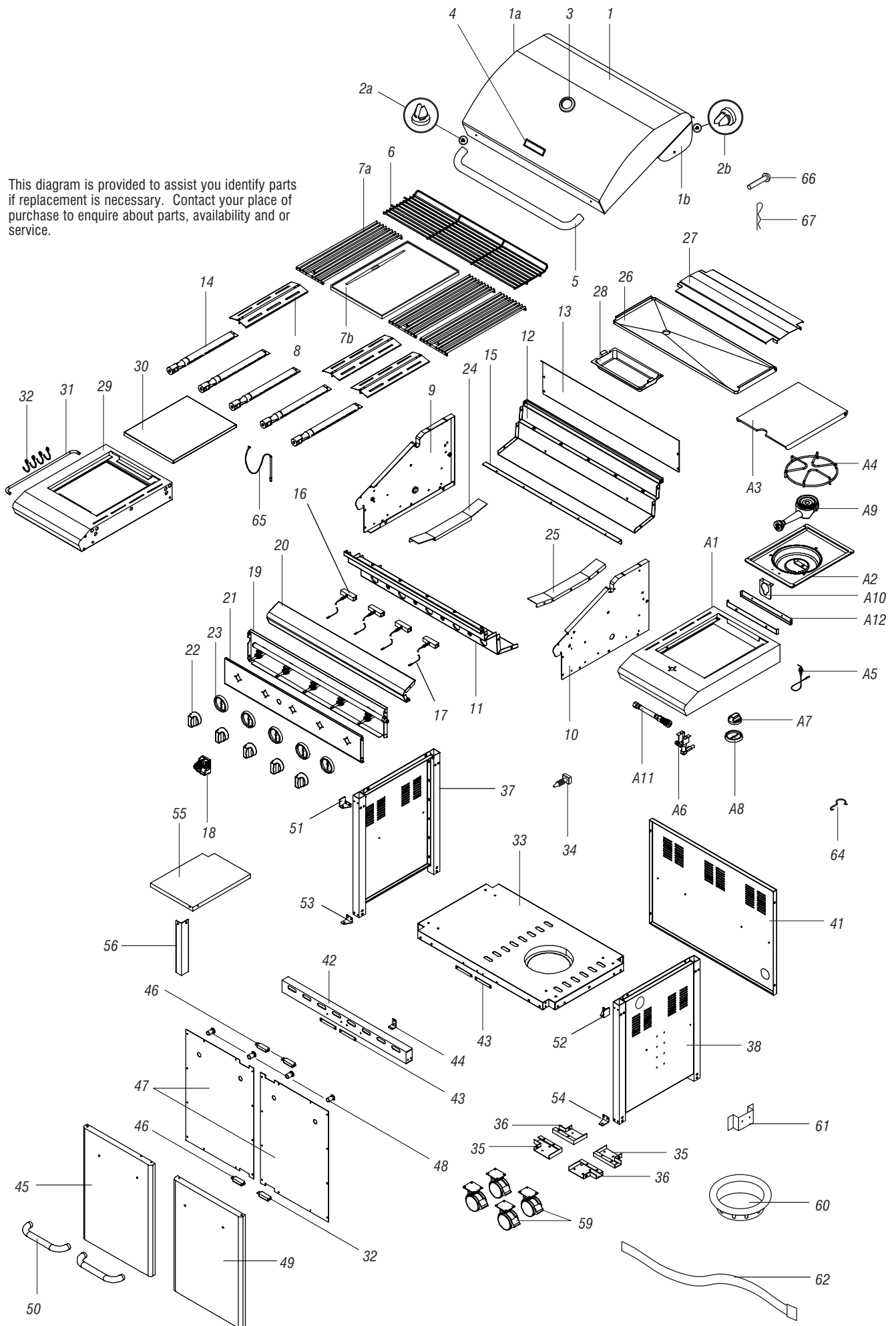
- ⒾⒺ ⒸⒺ Assembly instructions
- ⒸⒽ ⒻⒼ Instructions d'assemblage
- ⒶⒹ ⒸⒽ ⒹⒺ Montageanweisungen
- ⒸⒽ ⒾⒹ Istruzioni per il montaggio
- ⒴⒰ ⒸⒺ ⒼⒹ Montage-instructies
- ⒸⒺ Montering
- ⒻⒿ Kokoamisohjeet
- ⒺⒾ Instrucciones de armado
- ⒻⒹ Instruções para Montagem
- ⒹⒾ Monteringsvejledning
- ⒼⒹ Montering

premium 327

PARTS LIST

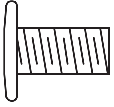
| Ref | Description | Part No. | Qty | Ref | Description | Part No. | Qty |
|------------|--|-----------------|------------|------------|---|-----------------|------------|
| 1 | Hood assembly | P00147159C | 1 | 35 | Castor seat – left front / right rear | P05327007G | 2 |
| 1a | Hood bracket – left | P00127309C | 1 | 36 | Castor seat – right front / left rear | P05327008G | 2 |
| 1b | Hood bracket – right | P00128309C | 1 | 37 | Trolley legs with side panel – left | P07617002E | 1 |
| 2a | Protective pad – A | P05518001I | 2 | 38 | Trolley legs with side panel – right | P07618010E | 1 |
| 2b | Protective pad – B | P05518004I | 2 | 41 | Trolley rear panel | P07702035E | 1 |
| 3 | Temperature gauge | P00601011B | 1 | 42 | Trolley bracket – front | P03305016J | 1 |
| 4 | Hood badge | P00407006S | 1 | 43 | Door stop plate | P05510002L | 4 |
| 5 | Hood handle | P00205034B | 1 | 44 | Door guide plate | P05510006A | 1 |
| 6 | Cooking rack – fixed | P01506003G | 1 | 45 | Door – left | P04305001E | 1 |
| 7a | Grill plate | P01604004B | 3 | 46 | Door magnet | P05523002K | 4 |
| 7b | Hot plate | P01702008E | 1 | 47 | Door trim plate | P07510003D | 2 |
| 8 | Flame tamer | P01705009E | 3 | 48 | Door spacer | P06801010G | 4 |
| 9 | Body panel – left | P00720261A | 1 | 49 | Door – right | P04306001E | 1 |
| 10 | Body panel – right | P00721281A | 1 | 50 | Door handle | P00205029B | 1 |
| 11 | Body panel – front | P00738149A | 1 | 51 | Door hinge bracket – top left | P03313004J | 1 |
| 12 | Body panel – rear | P00725239A | 1 | 52 | Door hinge bracket – top right | P03313002J | 1 |
| 13 | Body panel – rear wind shield | P00725254A | 1 | 53 | Door hinge bracket – bottom left | P03313005J | 1 |
| 14 | Burner – main | P02008059A | 5 | 54 | Door hinge bracket – bottom right | P03313003J | 1 |
| 15 | Burner support bracket | P02210012B | 1 | 55 | Partition panel – left | P07512001D | 1 |
| 16 | Gas collector box with electrode | P026080124 | 4 | 56 | Partition panel bracket | P03303014J | 1 |
| 17 | Electronic wire set | P02615024A | 1 | 59 | Castor – 3" with brake | P05119001A | 4 |
| 18 | Electronic igniter – 4 port | P02502164C | 1 | 60 | Frame for gas cylinder | P04021004H | 1 |
| 19 | Gas valve / manifold / heat shield assembly – 30 mbar | Y0060307 | 1 | 61 | Gas cylinder bracket | P03327020J | 1 |
| | – 50 mbar | Y0060295 | 1 | 62 | Gas cylinder strap | P05314001V | 1 |
| 19a | Manifold | P05008132H | 1 | 64 | Hose retention hook | P05528001E | 1 |
| 19b | Jet main burner – 30 mbar | P06519023A | 5 | 65 | Lighting stick | P05313023B | 1 |
| | – 50 mbar | P06519025A | 5 | 66 | Hood hinge pin | P05501014B | 2 |
| 19c | Gas valve – without jet | P03222101A | 5 | 67 | Hinge pin clip | P05501010B | 2 |
| 19d | Heat shield | P03009033B | 1 | A1 | Side burner frame | P01104015M | 1 |
| 20 | Decorative front panel | P07508005D | 1 | A2 | Side burner body assembly | P02302005D | 1 |
| 21 | Control panel – with screen print, 30 mbar | P02907601A | 1 | A3 | Side burner lid | P00115346A | 1 |
| | – with screen print, 50 mbar | P02907601B | 1 | A4 | Pot support | P00805013B | 1 |
| 22 | Control knob for main burner | P03419123H | 5 | A5 | Side burner electrode | P02607005C | 1 |
| 23 | Control knob seat – main / side | P03415263L | 6 | A6 | Side burner gas valve assembly – 30 mbar | Y0060263 | 1 |
| 24 | Grease tray track – left | P05330006K | 1 | | – 50 mbar | Y0060271 | 1 |
| 25 | Grease tray track – right | P05330007K | 1 | A6a | Jet side burner – 30 mbar | P06519022A | 1 |
| 26 | Grease draining tray | P02706136A | 1 | | – 50 mbar | P06519027A | 1 |
| 27 | Grease draining tray heat shield | P06903026B | 1 | A7 | Side burner control knob | P03426093L | 1 |
| 28 | Grease receptacle | P02701075B | 1 | A9 | Side burner body with brass burner ring | P02002007A | 1 |
| 29 | Side shelf – left | P01102012M | 1 | A10 | Side burner bracket | P02215072E | 1 |
| 30 | Side shelf lid | P0011511EA | 1 | A11 | Side burner connection hose | P03705019J | 1 |
| 31 | Tool holder | P05514008A | 1 | A12 | Side burner body bracket | P03305011P | 2 |
| 32 | Tool hook | P05514053F | 4 | | Hardware pack | P06001043A | 1 |
| 33 | Trolley bottom shelf | P01004037K | 1 | | Operating instructions | P80140044K | 1 |
| 34 | Universal hose barb | P03901024A | 1 | | | | |

This diagram is provided to assist you identify parts if replacement is necessary. Contact your place of purchase to enquire about parts, availability and or service.

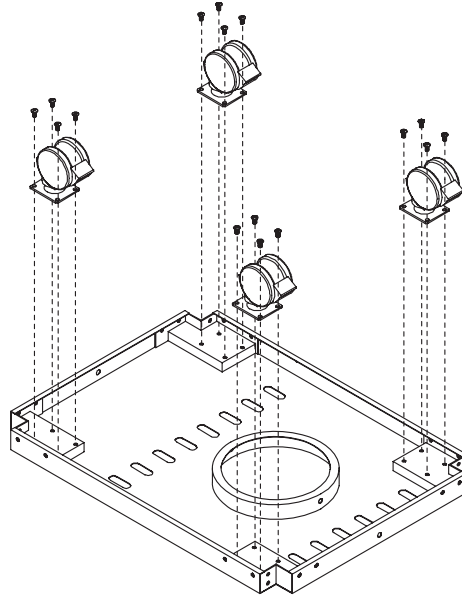


ASSEMBLY

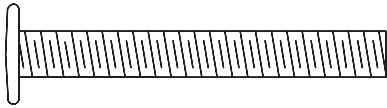
1



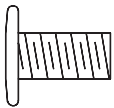
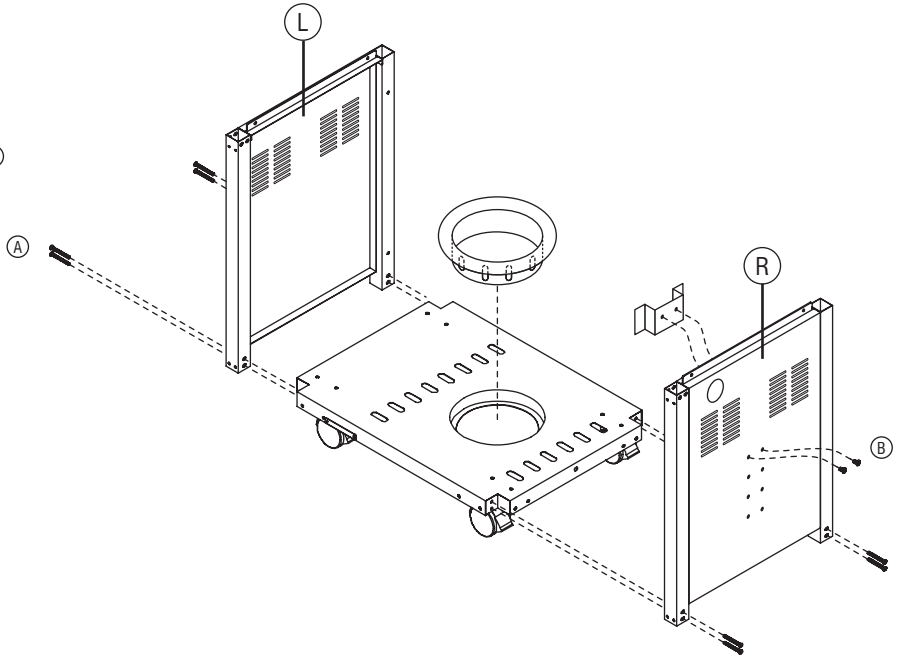
Phillips-head screw 1/4" x 1/2"
Qty: 16



2



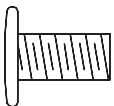
Phillips-head screw 1/4" x 2"
Qty: 8



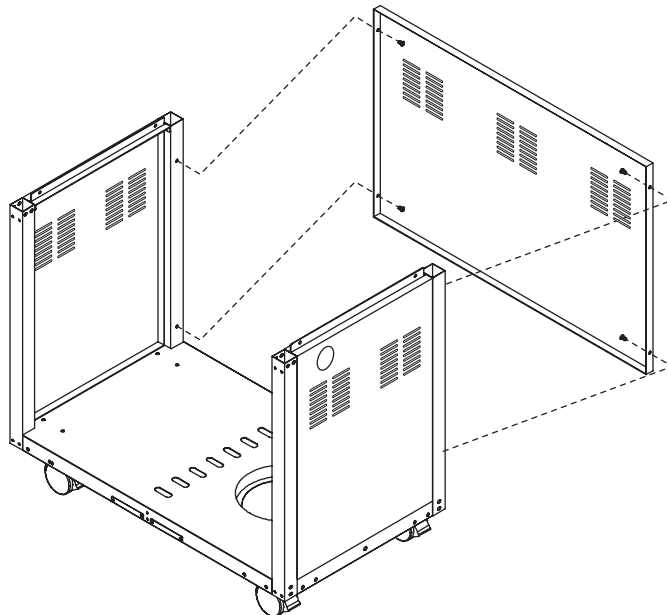
B

Phillips-head screw 1/4" x 1/2"
Qty: 2

3

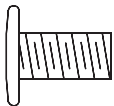


Phillips-head screw 1/4" x 1/2"
Qty: 4

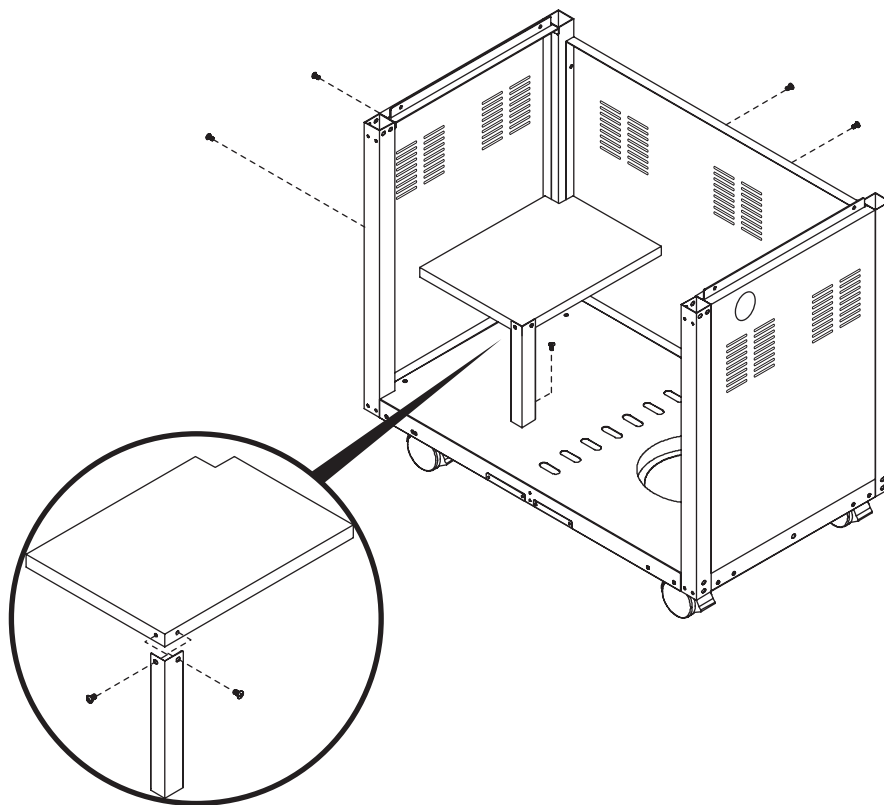


4

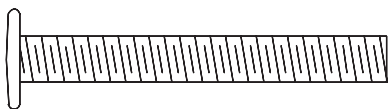
4



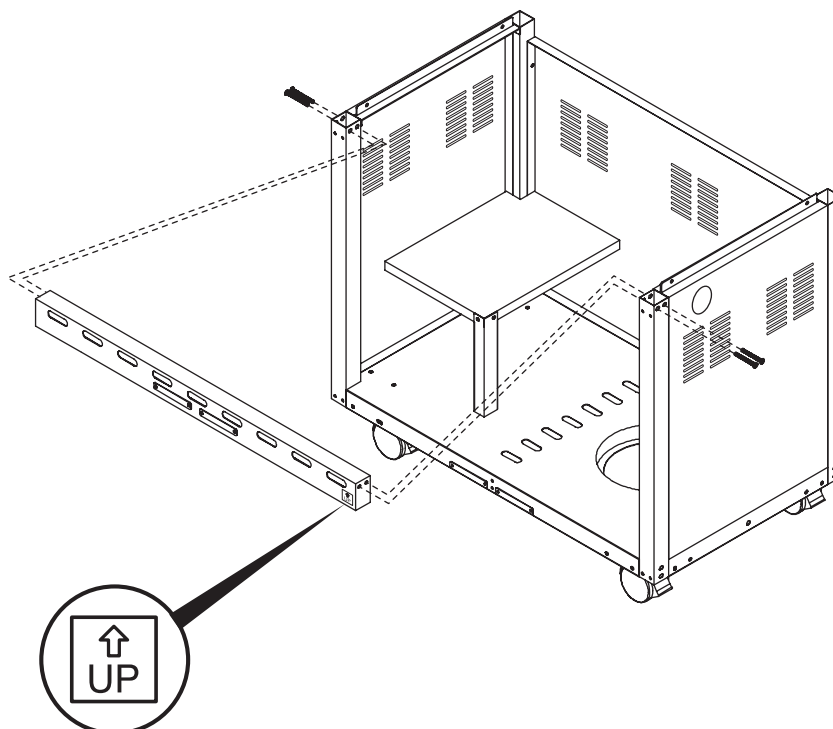
Phillips-head screw 1/4" x 1/2"
Qty: 7



5

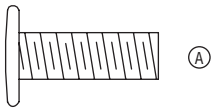


Phillips-head screw 1/4" x 2"
Qty: 4



5

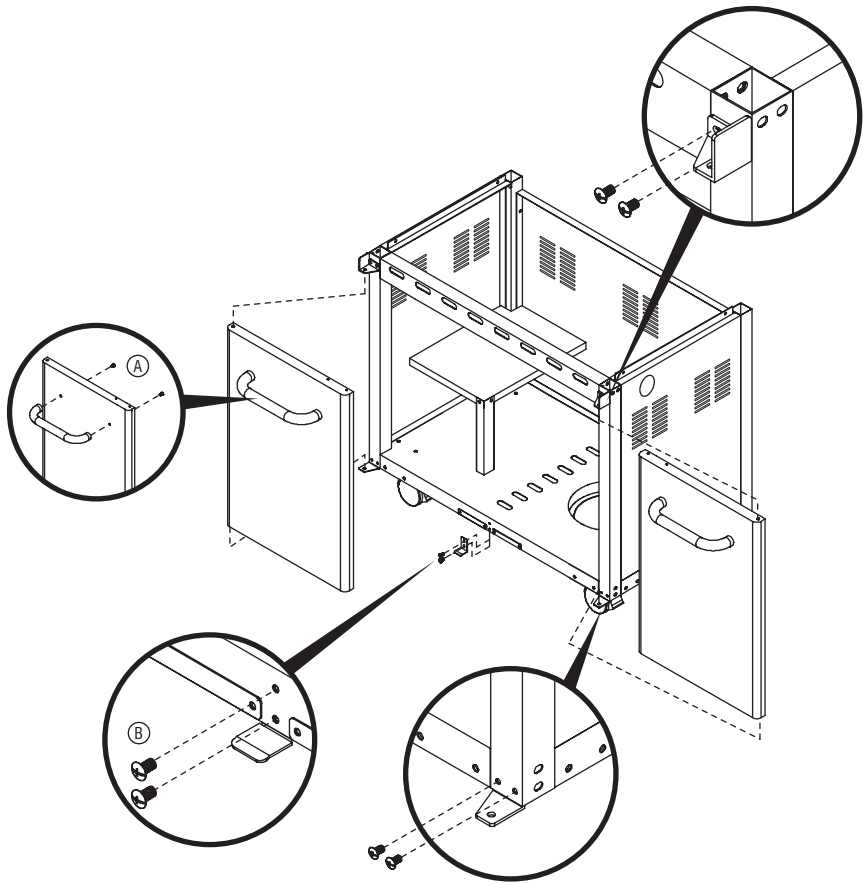
6



Door handles
Phillips-head screw 1/4" x 3/4"
Qty: 4



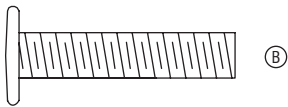
Door hinges, guide plate
Phillips-head screw 3/16" x 3/8"
Qty: 10



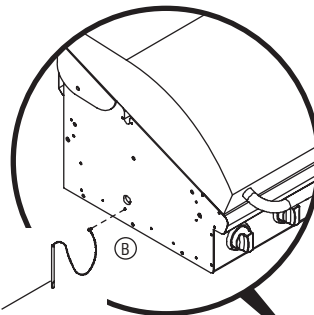
7



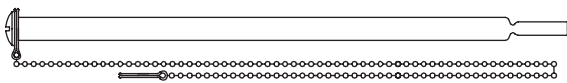
Lighting stick to barbecue body
Phillips-head screw M4 x 8 mm
Qty: 1



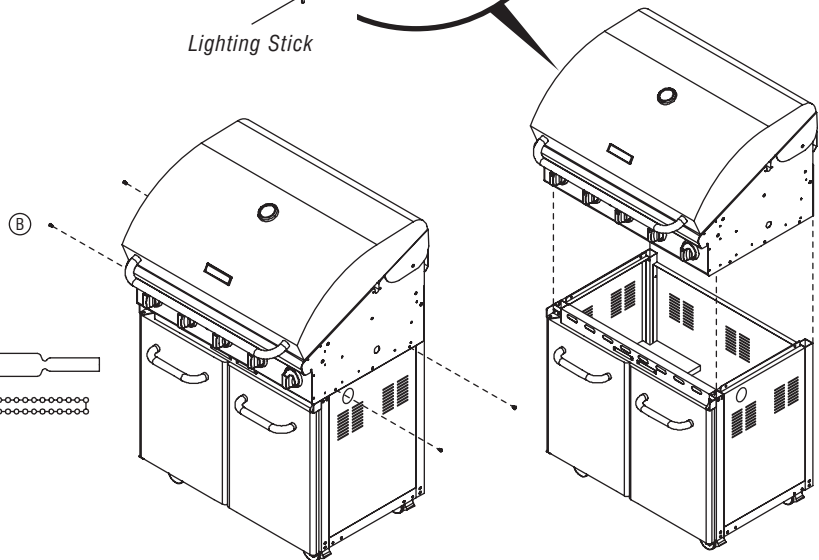
Barbecue head to trolley
Phillips-head screw 1/4" x 1 3/16"
Qty: 4



Lighting Stick



Lighting stick
Qty: 1

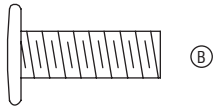


6

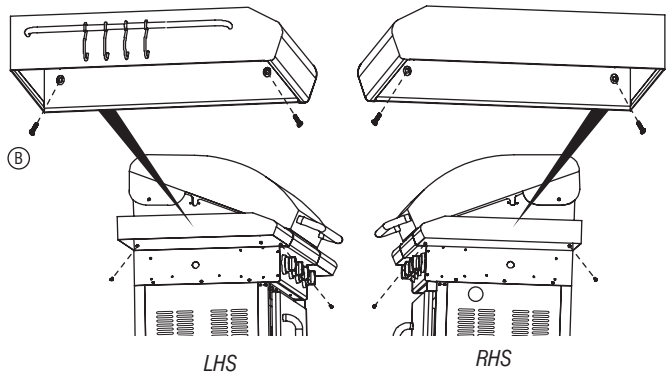
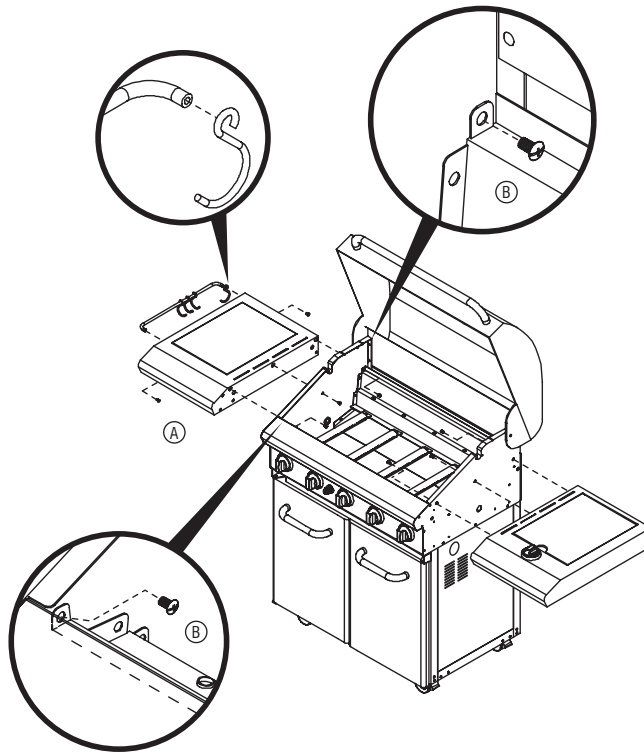
8



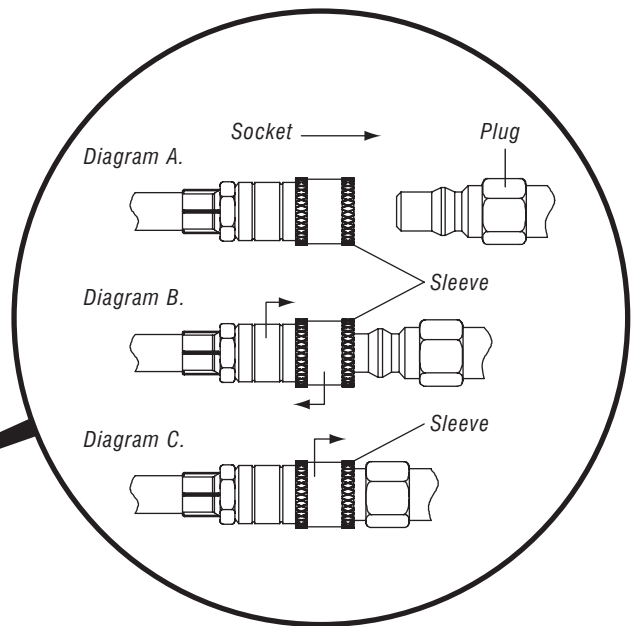
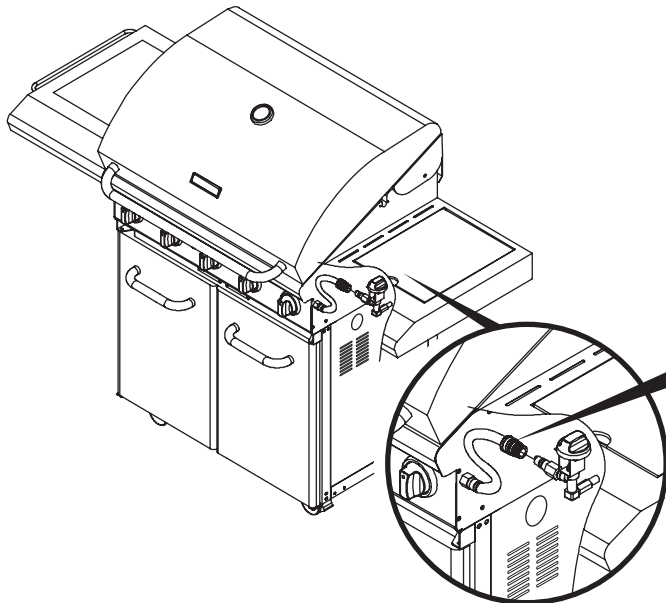
Tool holder to side shelf
Phillips-head screw
M5 x 8 mm
Qty: 2



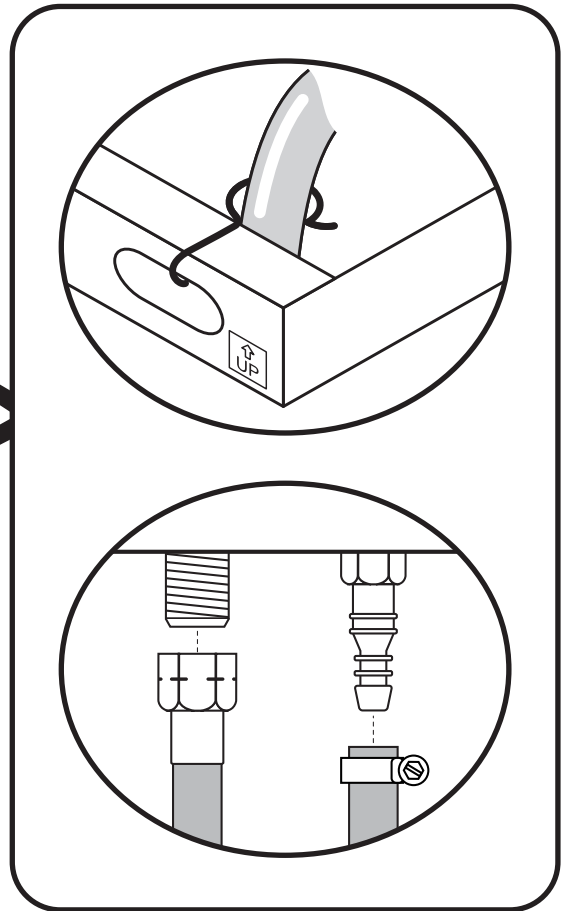
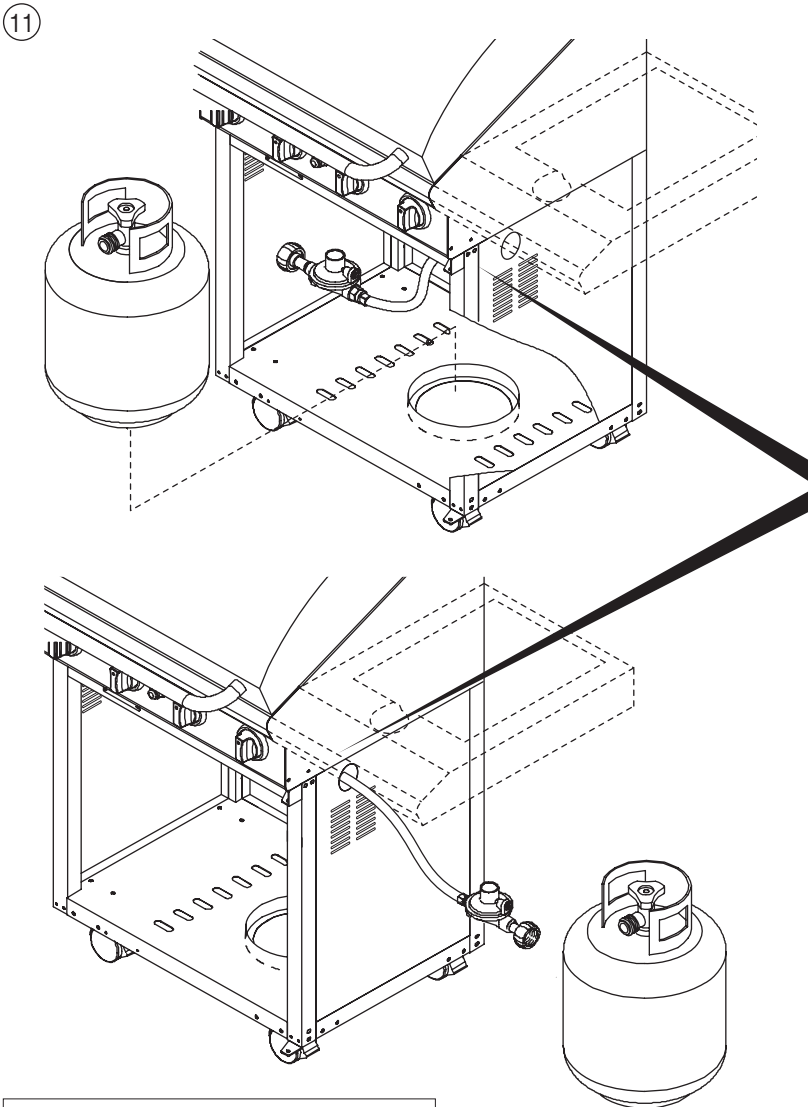
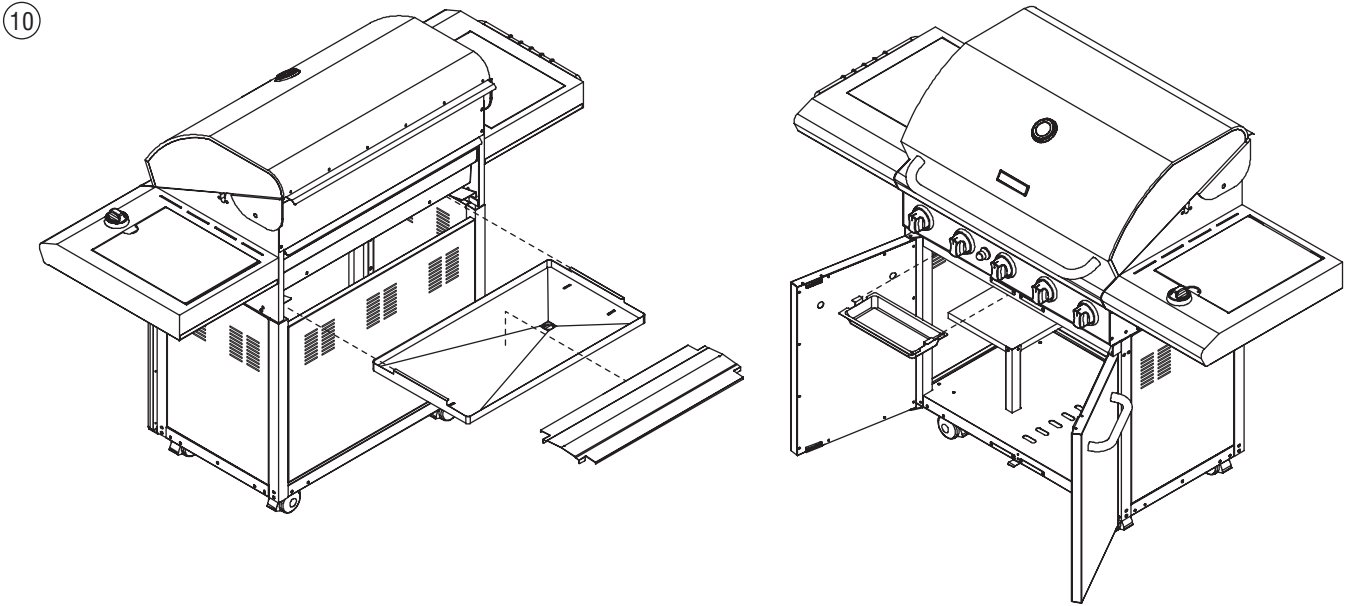
Side shelves / side burner to barbecue head
Phillips-head screw
1/4" x 3/4"
Qty: 10



9



7



WARNINGS INFORMATION

(GB) DO NOT OBSTRUCT THE VENTILATION OPENINGS IN THE TROLLEY.

(FR) NE PAS BOUCHER LES OUVERTURES DE VENTILATION DANS LE CHARIOT.

(DE) NICHT DIE VENTILATIONSÖFFNUNGEN IM WAGEN BLOCKIEREN.

(IT) NON OSTRUIRE LE APERTURE DI VENTILAZIONE DEL CARRELLO.

(NL) DE VENTILATIEOPENINGEN IN DE TROLLEY NIET BLOKKEREN.

(SE) BLOCKERA EJ VENTILATIONSHÅLEN I GRILLBAREN.

(FI) KÄRRYN TUULETUSAUUKKOJA EI SAA PEITTÄÄ.

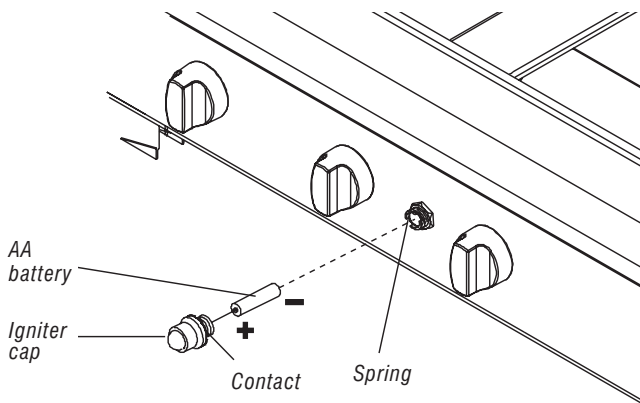
(ES) NO OBSTRUYA LAS ABERTURAS DE VENTILACIÓN DEL CARRITO.

(PT) NÃO OBSTRUA AS ABERTURAS DE VENTILAÇÃO NO TRÓLEI.

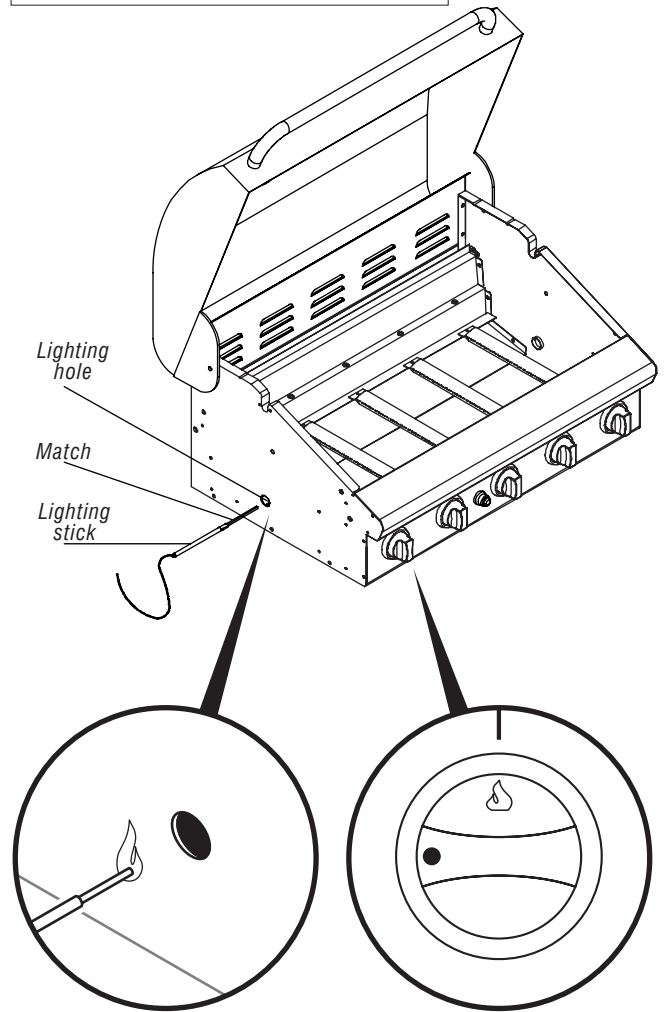
(DK) VENTILATIONSÅBNINGEN I TROLLEYEN MÅ IKKE SPÆRRES.

(NO) VENTILASJONSÅPNINGENE PÅ TRALLEN MÅ IKKE TILDEKES.

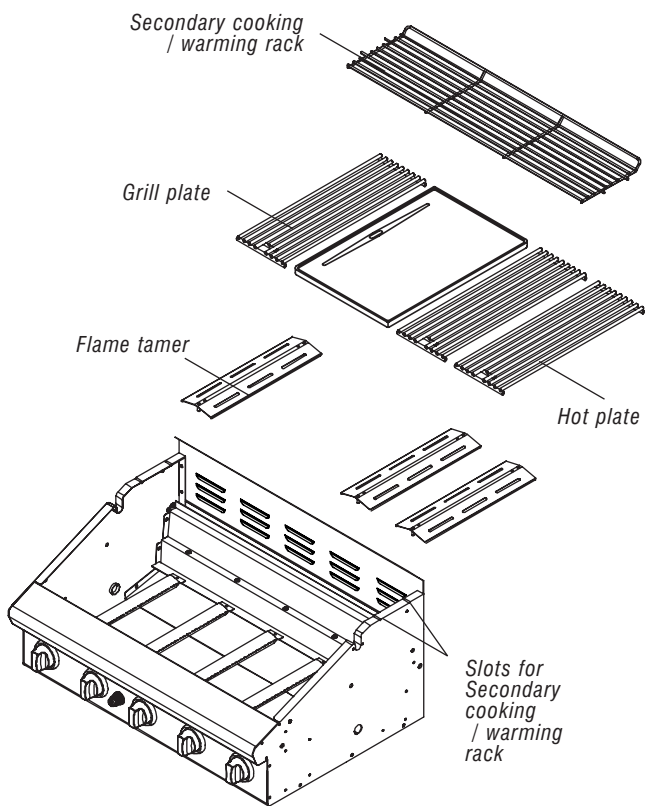
IGNITION BATTERY



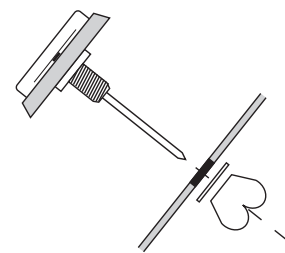
LIGHT BBQ WITH MATCH



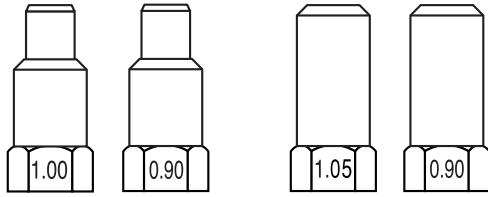
COOKING COMPONENT INSTALLATION



TEMPERATURE GAUGE



INJECTOR



Main

Side

| | | |
|-------|---------|-------------------|
| •Main | 1.00 mm | - I 3+ (28-30/37) |
| | | - I 3B/P (30) |
| | 0.90 mm | - I 3B/P (50) |
| •Side | 1.05 mm | - I 3+ (28-30/37) |
| | | - I 3B/P (30) |
| | 0.90 mm | - I 3B/P (50) |

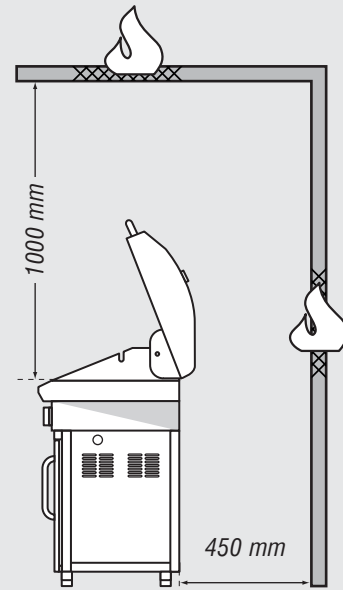
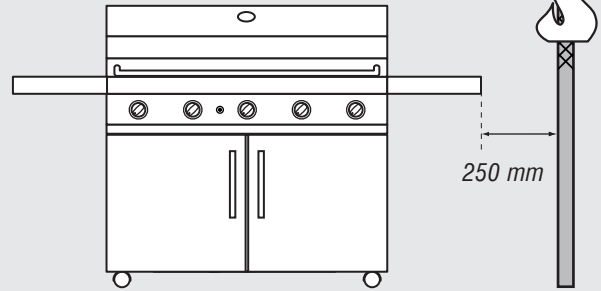
INPUT

| | | |
|-------|---------|------------------|
| •Main | 22.0 kW | - 1598 grams / h |
| •Side | 4.5 kW | - 327 grams / h |

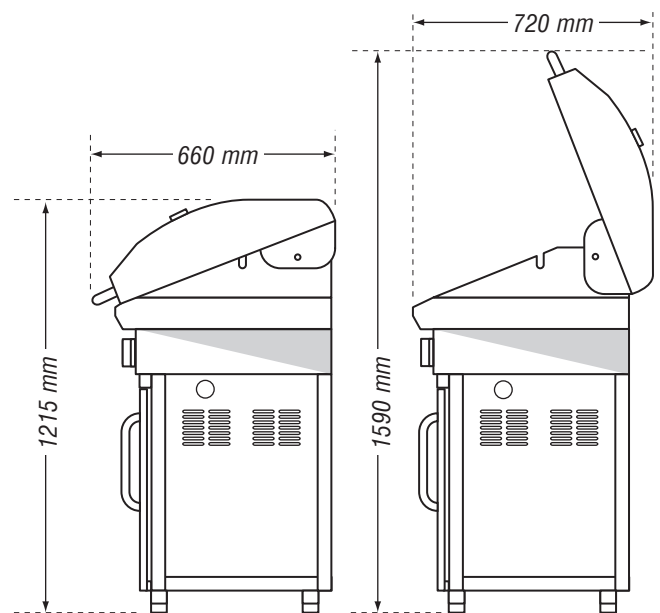
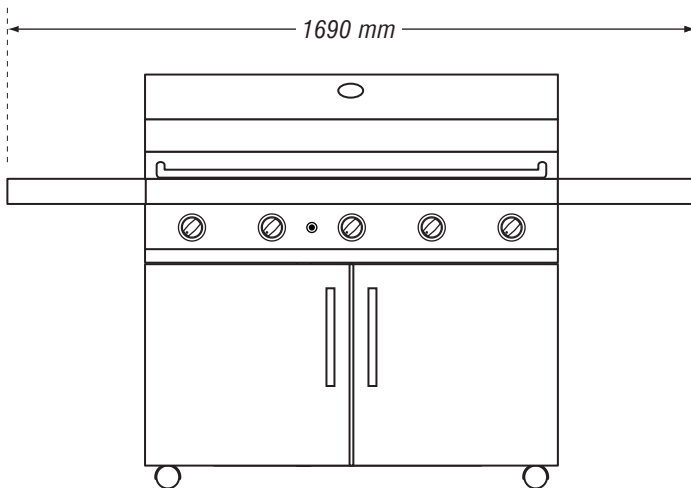


WARNINGS INFORMATION

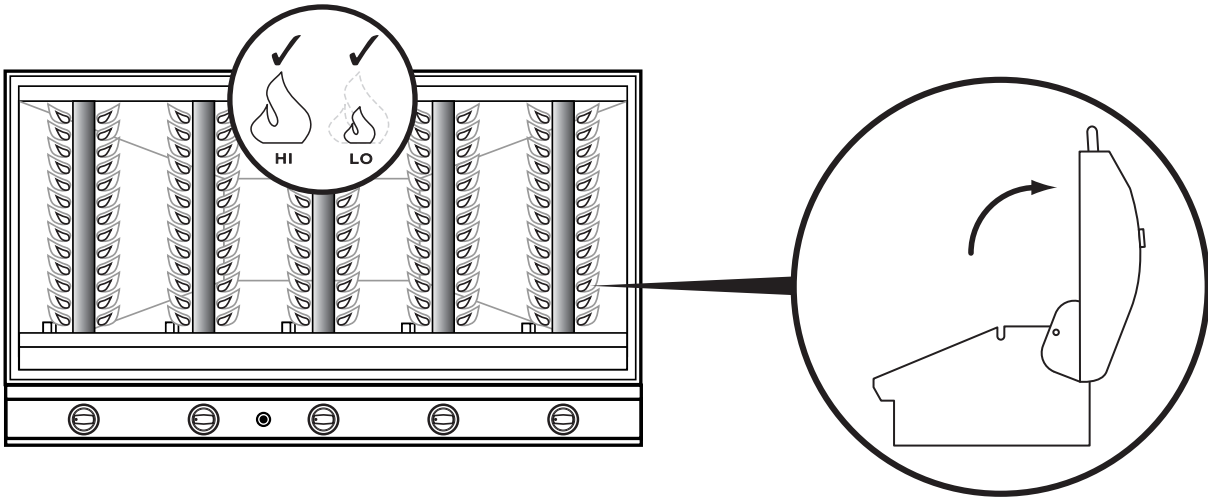
- **MINIMUM CLEARANCES FROM COMBUSTIBLE MATERIALS MUST BE:**
REAR - 450 mm
SIDES - 250 mm
TOP - 1000 mm



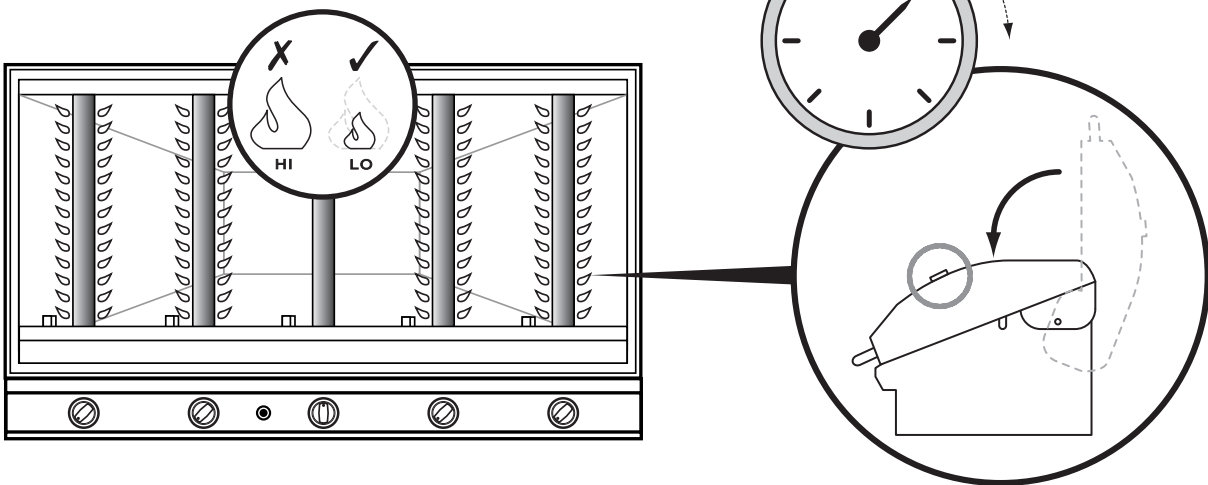
DIMENSIONS



COOKING WITH HOOD OPEN



COOKING WITH HOOD DOWN



Grand Hall Europe
PO Box 431
7570 AK Oldenzaal
The Netherlands

www.grandhall.eu

(IE) (GB) NOTE: This information is a guide only. Items included in your BBQ specification may differ depending on region or specific dealer specification.

(CH) (FR) NOTE: Ces renseignements sont donnés à titre indicatif. Il est possible que les articles inclus dans les spécifications de votre barbecue diffèrent selon la région ou les caractéristiques stipulées par le concessionnaire.

(AT) (CH) (DE) ANMERKUNG: Diese Anleitung dient nur zu Informationszwecken. Einzelteile der Grillspezifikation sind unter Umständen verschieden entsprechend der Vertriebsregion oder bestimmten Händleranforderungen.

(CH) (IT) AVVERTENZA: Queste informazioni hanno il valore di guida soltanto. Gli articoli compresi nelle caratteristiche tecniche del barbecue potrebbero variare a seconda della regione o del concessionario.

(LU) (BE) (NL) ATTENTIE: Deze informatie is alleen bedoeld als gids. Onderdelen in uw BBQ specificatie en pakket kunnen per regio of per dealer verschillen.

(SE) ANM.: Denna information är endast avsedd som handledning. Specifikationerna för grillen kan variera regionalt eller beroende på de krav som olika återförsäljare har.

(FI) HUOMATKAA: Nämä tiedot ovat pelkästään suuntaa antavia. Ostamanne grillin yksityiskohdat voivat olla erilaiset paikkakunnan tai erityisten myyjäkohtaisten yksityiskohtien mukaan.

(ES) NOTA: Esta información es una guía únicamente. Es posible que las indicaciones incluidas en las especificaciones de su Asador sean diferentes según la región o las especificaciones específicas del representante.

(PT) NOTA: Esta informação é simplesmente um guia. Os itens incluídos na especificação do seu BBQ poderão diferir dependendo da especificação da região ou do vendedor específico.

(DK) NB: Denne information er kun vejledende. Specifikationer kan variere efter ønske fra forhandler, eller i henhold til nationale regler.

(NO) NB: Denne informasjon er kun veiledende. Spesifikasjoner kan variere som stipulert av forhandler, eller i henhold til nasjonale krav.

All specifications are subject to change without notice.

Toutes les caractéristiques sont susceptibles d'être modifiées sans préavis.

Änderungen ohne vorherige Bekanntgabe vorbehalten.

Tutti i dati tecnici possono cambiare senza preavviso.

Alle specificaties kunnen zonder voorafgaande kennisgeving worden gewijzigd.

Kaikki oikeudet teknisten tietojen muutoksiin pidätetään.

Kaikki yksityiskohdat voivat muuttua ilman, että niistä erikseen ilmoitetaan.

Todas las especificaciones están sujetas a cambios sin previo aviso.

Todas as especificações estão sujeitas a alteração sem aviso.

Alle specifikationer kan ændres foruden varsel.

Spesifikasjoner kan endres uten varsel.

Manufacturer:

Grand Hall Enterprises Co. Ltd.
9th Fl. No 298 Rueiguang Rd
Neihu, Taipei, Taiwan