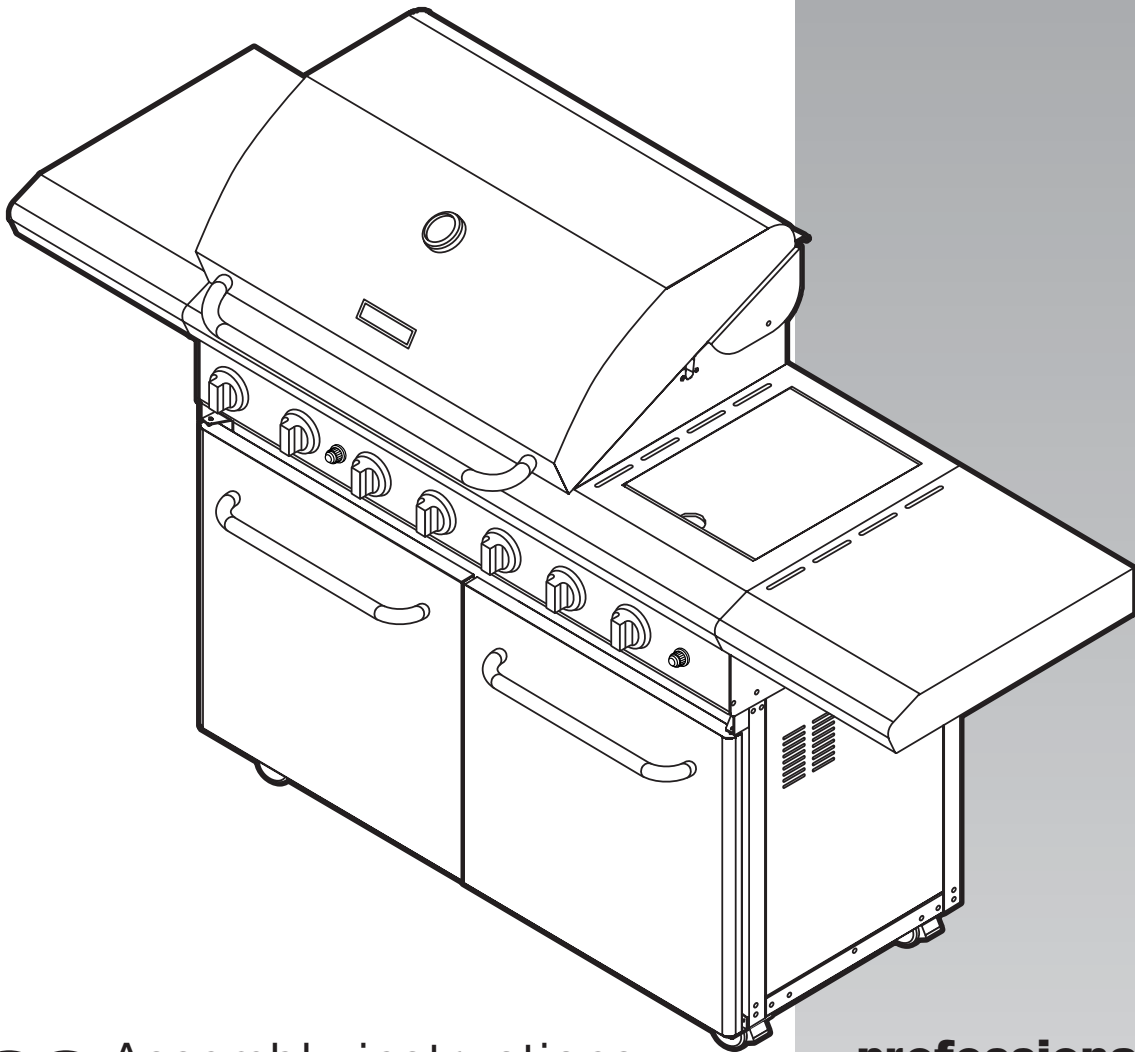


CE

**grandhall**  
outdoor living style

# gas barbecue



- ⒾⒺ ⒸⒹ Assembly instructions
- ⒸⒽ ⒻⒼ Instructions d'assemblage
- ⒶⒹ ⒸⒽ ⒹⒺ Montageanweisungen
- ⒸⒽ ⒾⒹ Istruzioni per il montaggio
- ⒴Ⓒ ⒸⒺ ⒼⒹ Montage-instructies
- ⒸⒺ Montering
- ⒻⒼ Kokoamisohjeet
- ⒺⒸ Instrucciones de armado
- ⒻⒹ Instruções para Montagem
- ⒹⒼ Monteringsvejledning
- ⒼⒹ Montering

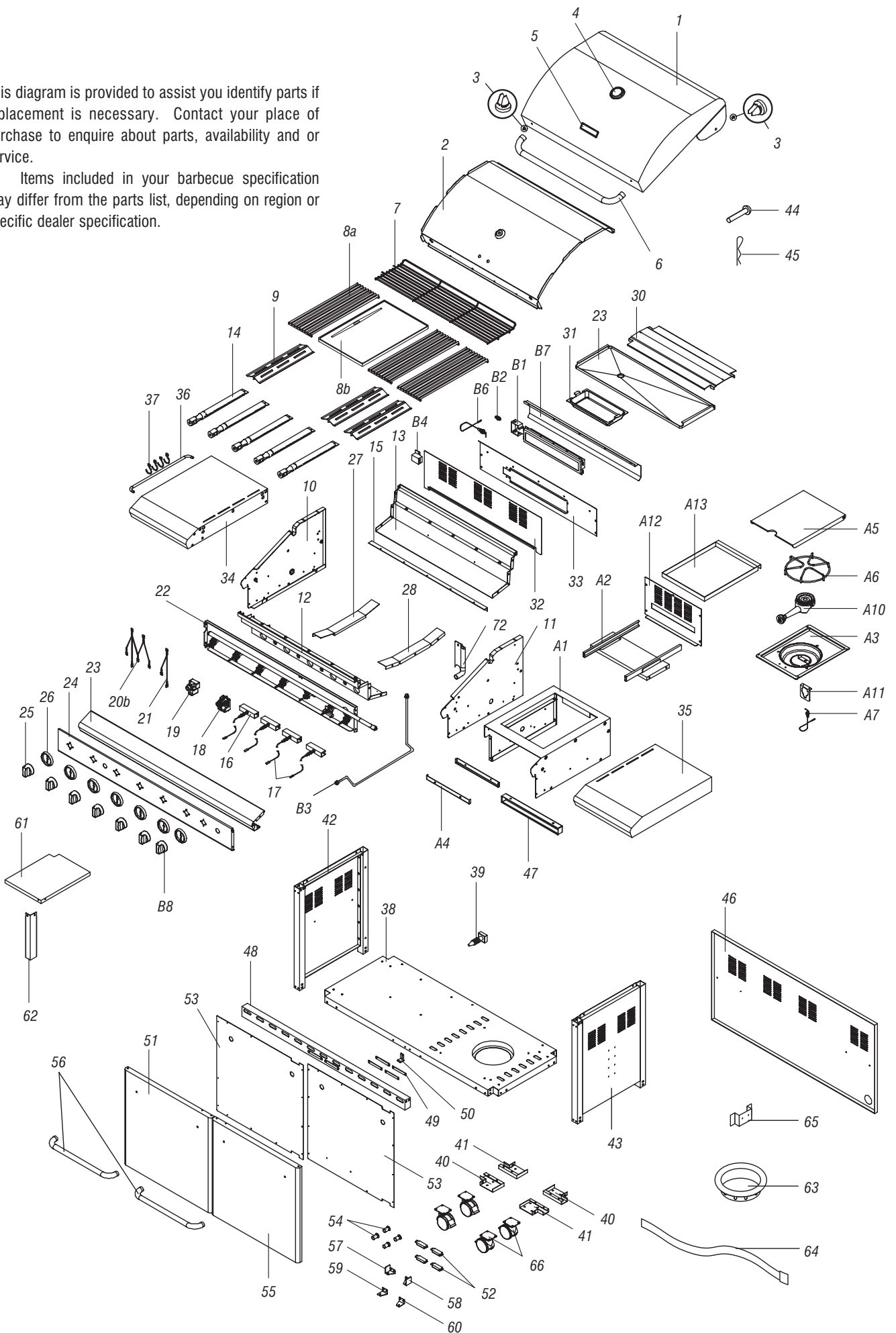
**professional 584**

## PARTS LIST

<i>Ref</i>	<i>Description</i>	<i>Part No.</i>	<i>Qty</i>	<i>Ref</i>	<i>Description</i>	<i>Part No.</i>	<i>Qty</i>
1	Hood assembly	P00119146A	1	40	Castor seat – <i>left front, right rear</i>	P05327007G	2
2	Hood trim plate	P0011409DV	1	41	Castor seat – <i>right front, left rear</i>	P05327008G	2
3	Protective pad	P05518001I	4	42	Trolley legs with side panel – <i>left</i>	P07614004A	1
4	Temperature gauge	P00601011B	1	43	Trolley legs with side panel – <i>right</i>	P07615015A	1
5	Hood badge	P00407006S	1	44	Hood hinge pin	P05501016A	2
6	Hood handle	P00205034B	1	45	Hinge pin clip	P05501010A	2
7	Cooking rack – <i>fixed</i>	P01515004B	1	46	Trolley rear panel	P07701037A	1
8a	Grill plate	P01604004B	3	47	Trolley rear panel bracket	P03306006C	1
8b	Hot plate	P01702008E	1	48	Trolley bracket – <i>front</i>	P03306008C	1
9	Flame tamer	P01708009B	3	49	Door stop plate	P05510002L	4
10	Body panel – <i>left</i>	P00720283C	1	50	Door guide plate	P05510006A	1
11	Body panel – <i>right</i>	P00721263C	1	51	Door – <i>left</i>	P04302023A	1
12	Body panel – <i>front</i>	P0073814BC	1	52	Door magnet	P05523002K	4
13	Body panel – <i>rear</i>	P0072526BC	1	53	Door trim plate	P07510005E	2
14	Burner – <i>main</i>	P02008059A	5	54	Door spacer	P06801010G	4
15	Burner support bracket	P0221001CA	1	55	Door – <i>right</i>	P04303023A	1
16	Gas collector box with electrode	P026080124	4	56	Door handle	P00205057B	2
17	Electronic wire set	P02615028A	1	57	Door hinge bracket – <i>top left</i>	P03314005C	1
18	Electronic Igniter – <i>4 port</i>	P02502134C	1	58	Door hinge bracket – <i>top right</i>	P03314006C	1
19	Electronic Igniter – <i>2 port</i>	P02502062C	1	59	Door hinge bracket – <i>bottom left</i>	P03314007C	1
20	Electronic wire set – <i>6 point</i>	P02615040A	1	60	Door hinge bracket – <i>bottom right</i>	P03314008C	1
21	Electronic wire set – <i>3 point</i>	P02615027A	1	61	Trolley partition panel – <i>left</i>	P07512003D	1
22	Gas valve / manifold / heat shield assembly – <i>30 mbar</i>	Y0060308	1	62	Trolley partition panel bracket – <i>left</i>	P03303014J	1
	– <i>50 mbar</i>	Y0060292	1	63	Gas cylinder bracket	P03327020C	1
22a	Manifold	P05010022H	1	64	Gas cylinder strap	P05314001V	1
22b	Jet main burner – <i>30 mbar</i>	P06519024A	5	65	Frame for gas cylinder	P04021004A	1
	– <i>50 mbar</i>	P06519026A	5	66	Castor – <i>3" with brake</i>	P05119001A	4
22c	Jet side burner – <i>30 mbar</i>	P06533003A	1	72	Manual lighting tube	P05313006C	1
	– <i>50 mbar</i>	P06533006A	1	A1	Body panel outside – <i>right</i>	P00743036C	1
22d	Gas valve without jet – <i>main / side</i>	P03222102A	5	A2	Side burner grease tray track assembly	P05516009G	1
22e	Gas valve – <i>rotisserie</i>	P03222104A	1	A3	Side burner body assembly	P02301011B	1
22f	Heat shield	P03011053B	1	A4	Side burner body bracket	P03306005C	2
23	Decorative front panel	P07508008A	1	A5	Side burner lid	P00115346A	1
24	Control panel – <i>with screen print, 30 mbar</i>	P02907631A	1	A6	Pot support	P00805013B	1
	– <i>with screen print, 50 mbar</i>	P02907631B	1	A7	Side burner electrode	P02607006C	1
25	Control knob for main / side burner	P03419153H	6	A10	Side burner body with brass burner ring	P02002007A	1
26	Control knob seat	P03415263L	7	A11	Side burner bracket	P02215072E	1
27	Grease tray track – <i>left</i>	P05330008C	1	A12	Side burner wind shield	P06906013C	1
28	Grease tray track – <i>right</i>	P05330009C	1	A13	Side burner grease tray	P02718015B	1
29	Grease draining tray	P02707036A	1	B1	Back burner assembly	P02007003A	1
30	Grease draining tray heat shield	P06903026B	1	B2	Back burner orifice – <i>30 mbar</i>	P06509003A	1
31	Grease receptacle	P02701075B	1		– <i>50 mbar</i>	P06535001A	1
32	Body wind shield	P06906014C	1	B3	Back burner extension tube	P03717034A	1
33	Back burner frame	P02011013B	1	B4	Back burner gas collector box	P02621001K	1
34	Side shelf – <i>left</i>	P01106006B	1	B6	Back burner electrode	P02614009C	1
35	Side shelf – <i>right</i>	P01107008B	1	B7	Back burner wind shield	P06906015C	1
36	Tool holder	P05514008A	1	B8	Back burner control knob	P03419163H	1
37	Tool hook	P05514053F	4		Hardware pack	P06001023A	1
38	Trolley bottom shelf	P01010019C	1		Operating instructions	P80140126K	1
39	Universal hose barb	P03901024A	1				

This diagram is provided to assist you identify parts if replacement is necessary. Contact your place of purchase to enquire about parts, availability and or service.

Items included in your barbecue specification may differ from the parts list, depending on region or specific dealer specification.

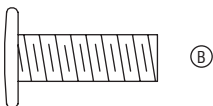


## ASSEMBLY

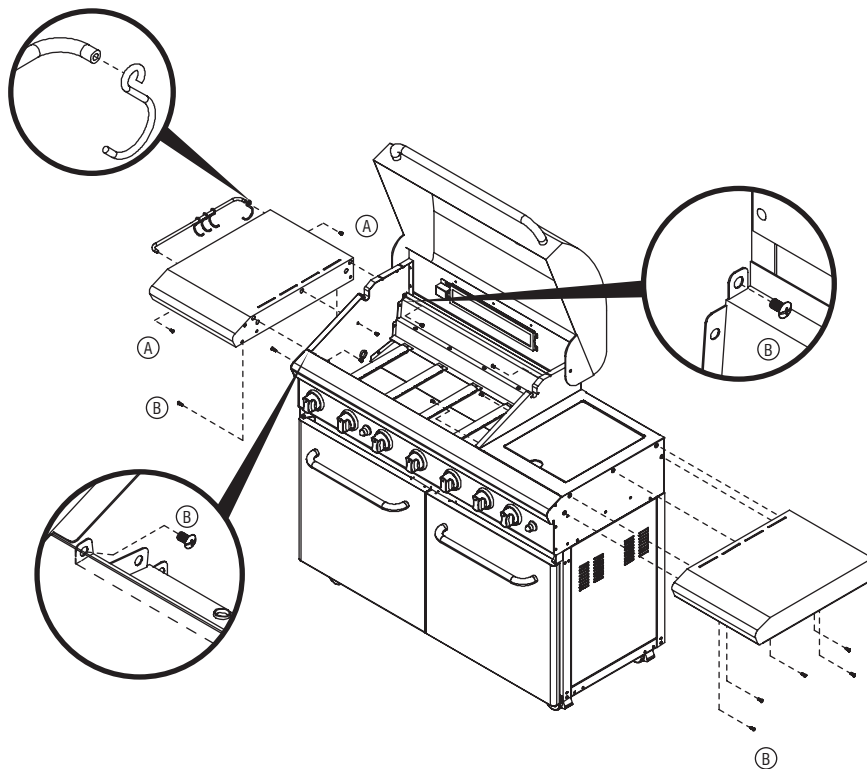
1



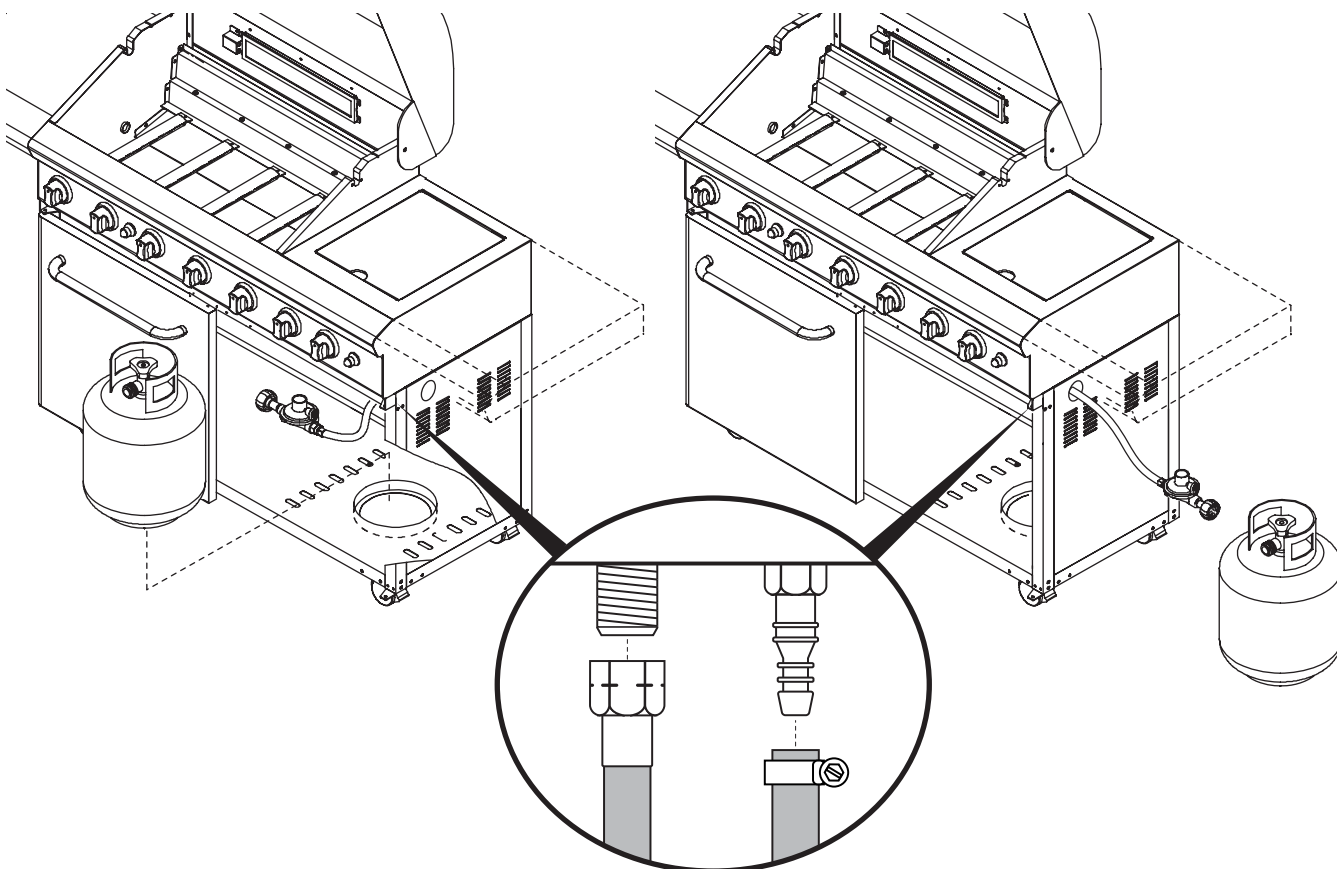
Tool holder to side shelf  
Phillips-head screw  
M5 x 8 mm  
Qty: 2



Side shelves / side burner to barbecue head  
Phillips-head screw  
1/4" x 3/4"  
Qty: 10



2



## WARNINGS INFORMATION

**(GB)** DO NOT OBSTRUCT THE VENTILATION OPENINGS IN THE TROLLEY.

**(FR)** NE PAS BOUCHER LES OUVERTURES DE VENTILATION DANS LE CHARIOT.

**(DE)** NICHT DIE VENTILATIONSÖFFNUNGEN IM WAGEN BLOCKIEREN.

**(IT)** NON OSTRUIRE LE APERTURE DI VENTILAZIONE DEL CARRELLO.

**(NL)** DE VENTILATIEOPENINGEN IN DE TROLLEY NIET BLOKKEREN.

**(SE)** BLOCKERA EJ VENTILATIONSHÅLEN I GRILLBAREN.

**(FI)** KÄRRYN TUULETUSAUUKKOJA EI SAA PEITTÄÄ.

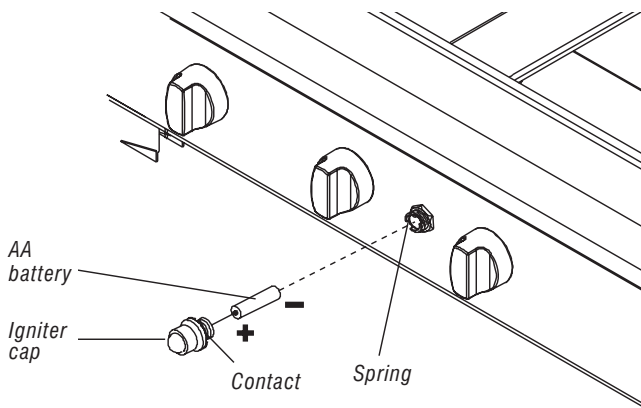
**(ES)** NO OBSTRUYA LAS ABERTURAS DE VENTILACIÓN DEL CARRITO.

**(PT)** NÃO OBSTRUA AS ABERTURAS DE VENTILAÇÃO NO TRÓLEI.

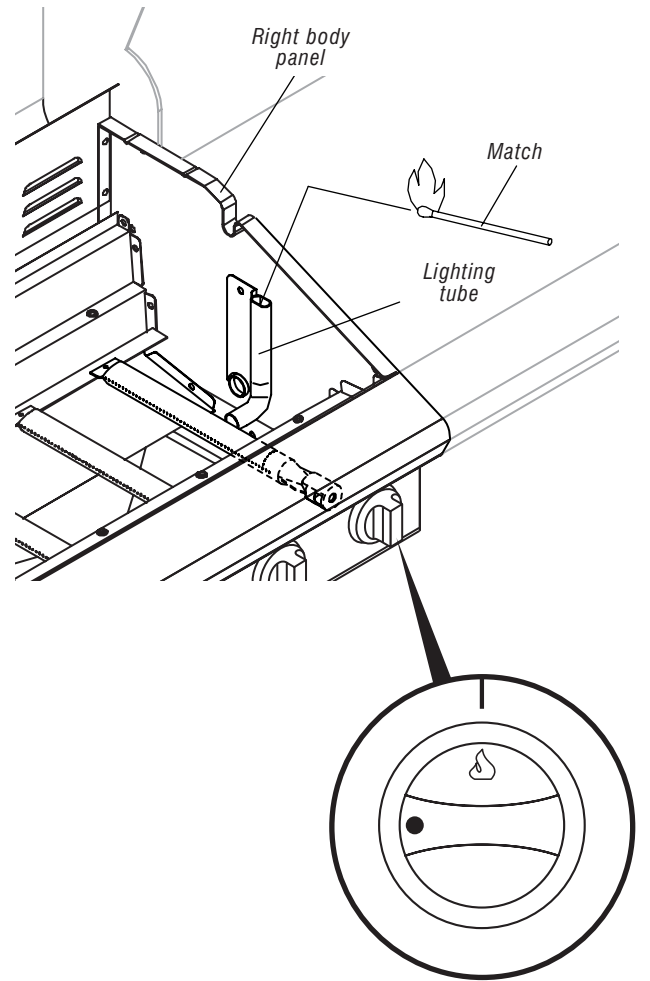
**(DK)** VENTILATIONSÅBNINGEN I TROLLEYEN MÅ IKKE SPÆRRES.

**(NO)** VENTILASJONSÅPNINGENE PÅ TRALLEN MÅ IKKE TILDEKKES.

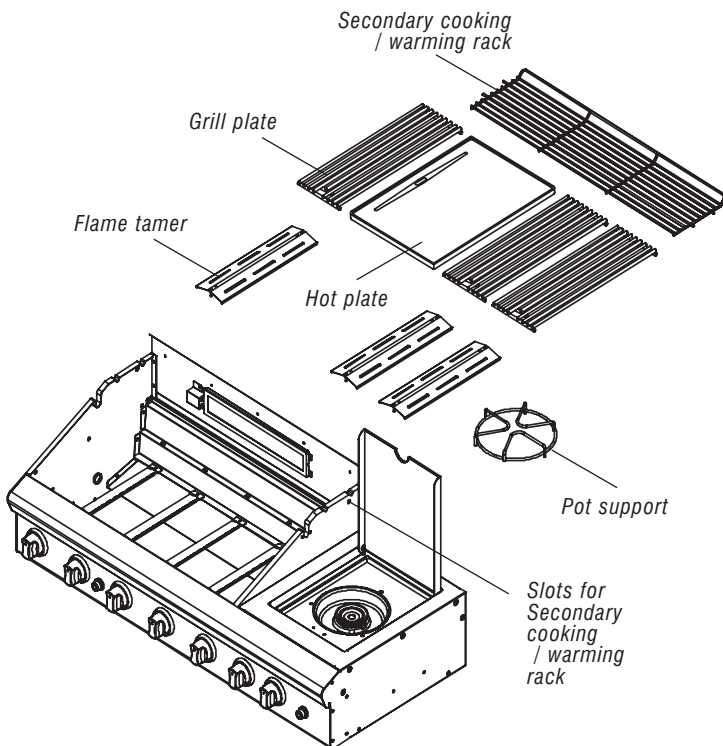
### IGNITION BATTERY



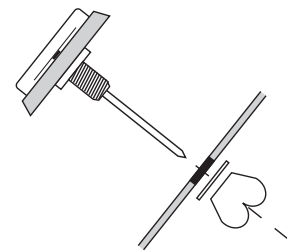
### LIGHT BBQ WITH MATCH



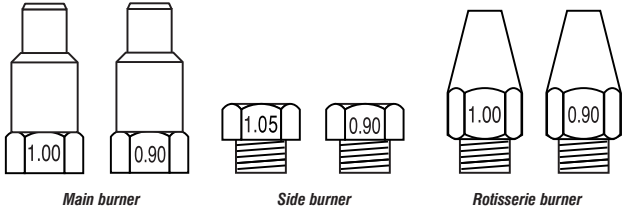
### COOKING COMPONENT INSTALLATION



### TEMPERATURE GAUGE



## INJECTOR



• Main	1.00 mm	- I 3+ (28-30/37)
		- I 3B/P (30)
• Side	0.90 mm	- I 3B/P (50)
	1.05 mm	- I 3+ (28-30/37)
• Rotisserie	0.90 mm	- I 3B/P (30)
	1.00 mm	- I 3+ (28-30/37)
		- I 3B/P (30)
	0.90 mm	- I 3B/P (50)

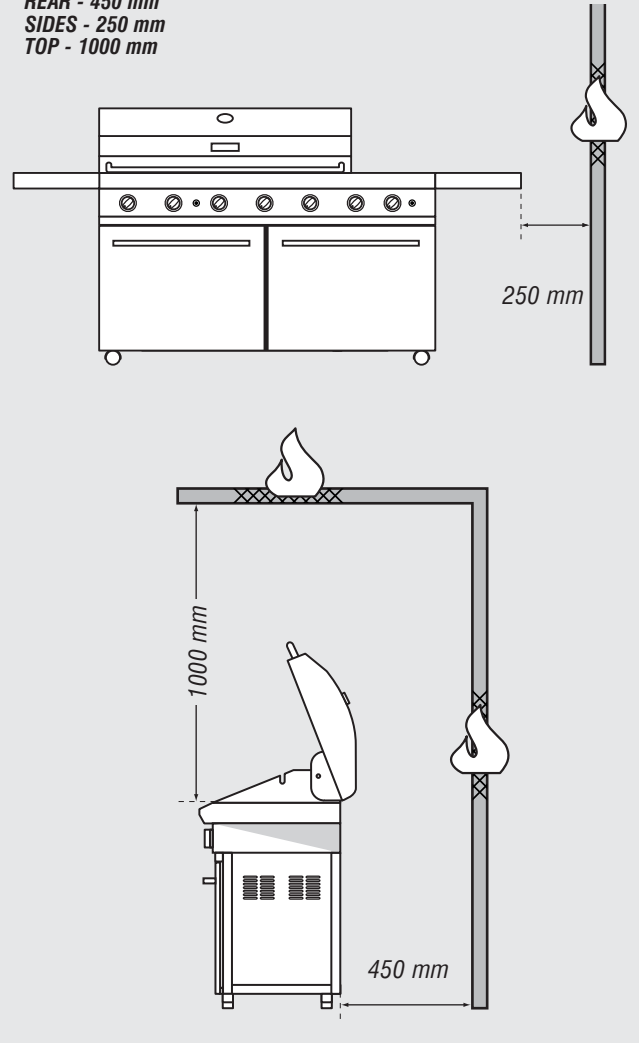
## INPUT

• Main	22.0 kW	- 1598 grams / h
• Side	4.5 kW	- 1598 grams / h
• Rotisserie	4.2 kW	- 1598 grams / h

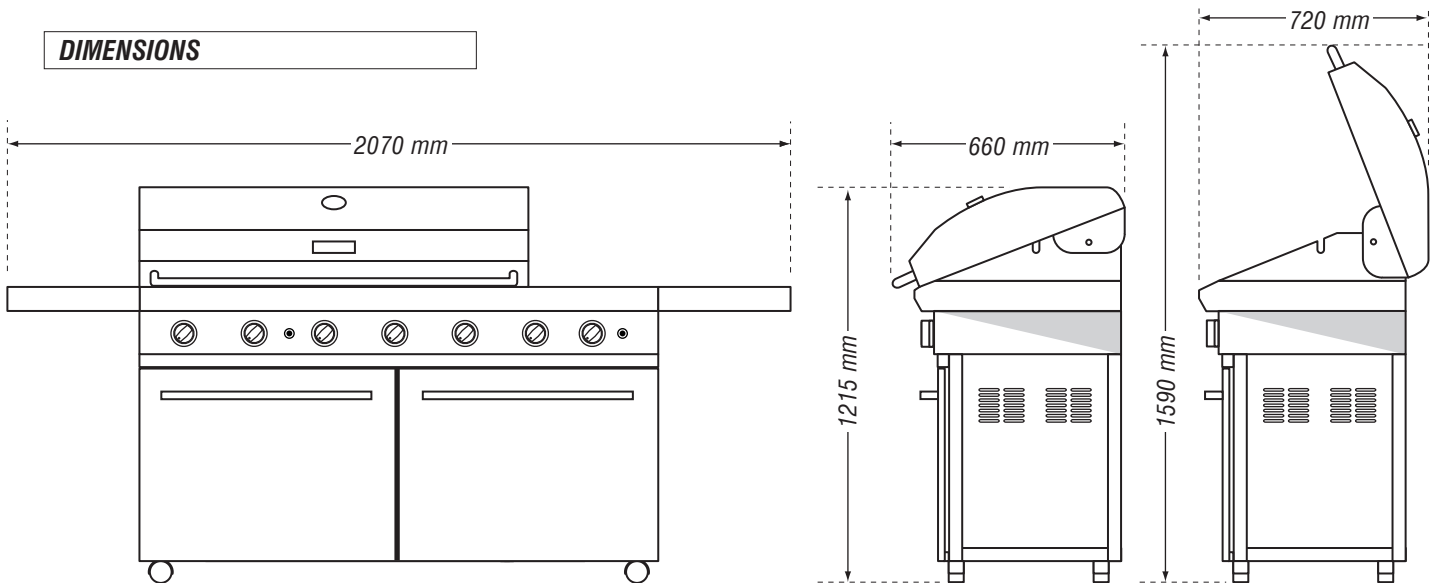


## WARNINGS INFORMATION

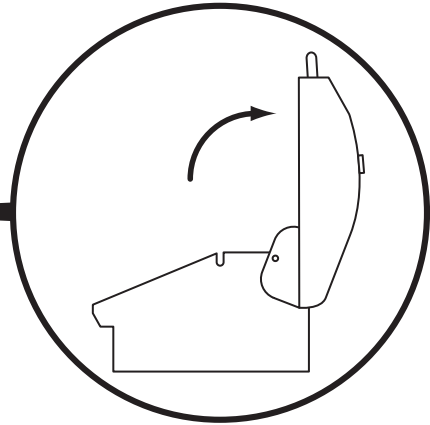
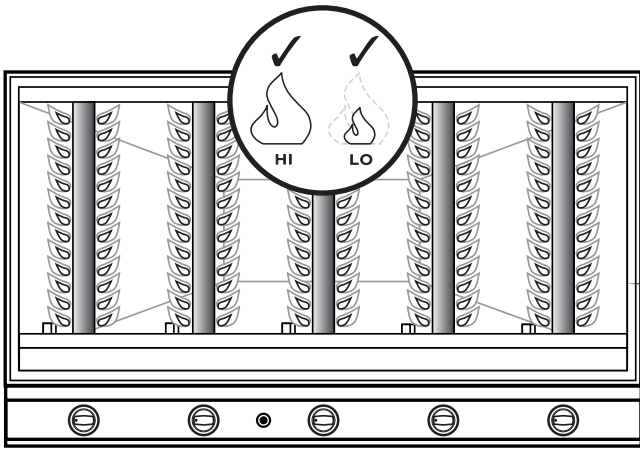
- **MINIMUM CLEARANCES FROM COMBUSTIBLE MATERIALS MUST BE:**  
**REAR - 450 mm**  
**SIDES - 250 mm**  
**TOP - 1000 mm**



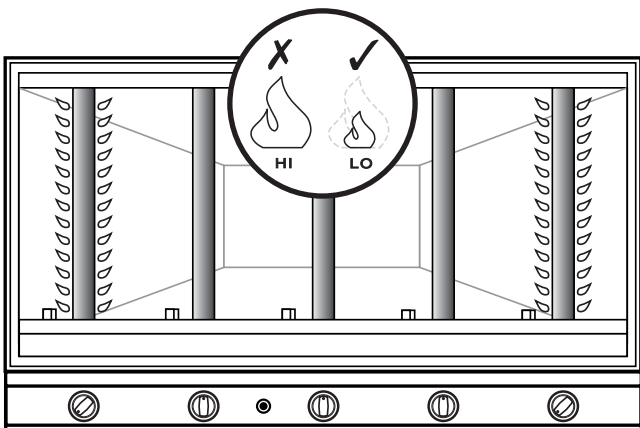
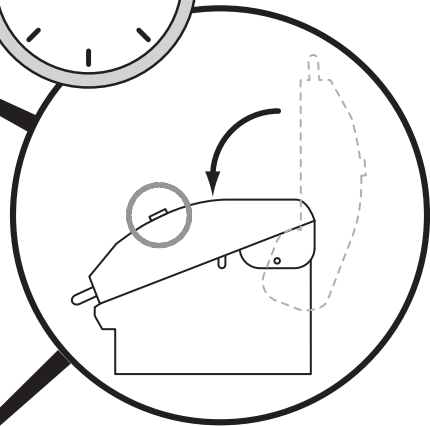
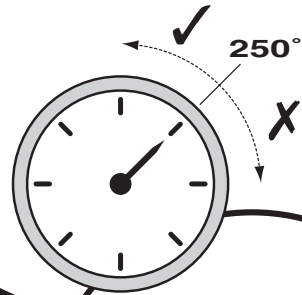
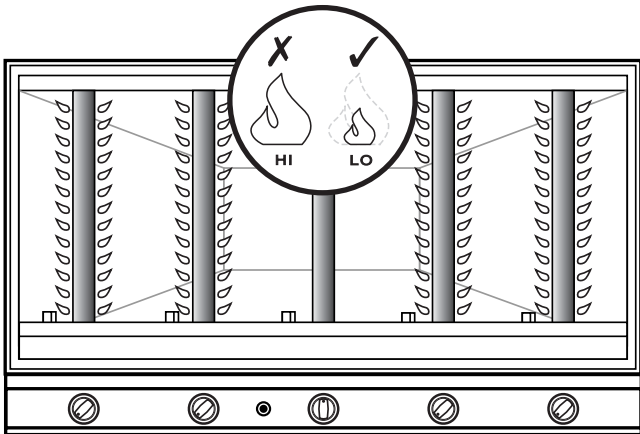
## DIMENSIONS



**COOKING WITH HOOD OPEN**



**COOKING WITH HOOD DOWN**



Grand Hall Europe  
PO Box 431  
7570 AK Oldenzaal  
The Netherlands

[www.grandhall.eu](http://www.grandhall.eu)

**(IE) (GB) NOTE:** This information is a guide only. Items included in your BBQ specification may differ depending on region or specific dealer specification.

**(CH) (FR) NOTE:** Ces renseignements sont donnés à titre indicatif. Il est possible que les articles inclus dans les spécifications de votre barbecue diffèrent selon la région ou les caractéristiques stipulées par le concessionnaire.

**(AT) (CH) (DE) ANMERKUNG:** Diese Anleitung dient nur zu Informationszwecken. Einzelteile der Grillspezifikation sind unter Umständen verschieden entsprechend der Vertriebsregion oder bestimmten Händleranforderungen.

**(CH) (IT) AVVERTENZA:** Queste informazioni hanno il valore di guida soltanto. Gli articoli compresi nelle caratteristiche tecniche del barbecue potrebbero variare a seconda della regione o del concessionario.

**(LU) (BE) (NL) ATTENTIE:** Deze informatie is alleen bedoeld als gids. Onderdelen in uw BBQ specificatie en pakket kunnen per regio of per dealer verschillen.

**(SE) ANM.:** Denna information är endast avsedd som handledning. Specifikationerna för grillen kan variera regionalt eller beroende på de krav som olika återförsäljare har.

**(FI) HUOMATKAA:** Nämä tiedot ovat pelkästään suuntaa antavia. Ostamanne grillin yksityiskohdat voivat olla erilaiset paikkakunnan tai erityisten myyjäkohtaisten yksityiskohtien mukaan.

**(ES) NOTA:** Esta información es una guía únicamente. Es posible que las indicaciones incluidas en las especificaciones de su Asador sean diferentes según la región o las especificaciones específicas del representante.

**(PT) NOTA:** Esta informação é simplesmente um guia. Os itens incluídos na especificação do seu BBQ poderão diferir dependendo da especificação da região ou do vendedor específico.

**(DK) NB:** Denne information er kun vejledende. Specifikationer kan variere efter ønske fra forhandler, eller i henhold til nationale regler.

**(NO) NB:** Denne informasjon er kun veiledende. Spesifikasjoner kan variere som stipulert av forhandler, eller i henhold til nasjonale krav.

All specifications are subject to change without notice.

Toutes les caractéristiques sont susceptibles d'être modifiées sans préavis.

Änderungen ohne vorherige Bekanntgabe vorbehalten.

Tutti i dati tecnici possono cambiare senza preavviso.

Alle specificaties kunnen zonder voorafgaande kennisgeving worden gewijzigd.

Kaikki oikeudet teknisten tietojen muutoksiin pidätetään.

Kaikki yksityiskohdat voivat muuttua ilman, että niistä erikseen ilmoitetaan.

Todas las especificaciones están sujetas a cambios sin previo aviso.

Todas as especificações estão sujeitas a alteração sem aviso.

Alle specifikationer kan ændres foruden varsel.

Spesifikasjoner kan endres uten varsel.

Manufacturer:

Grand Hall Enterprises Co. Ltd.  
9th Fl. No 298 Rueiguang Rd  
Neihu, Taipei, Taiwan