

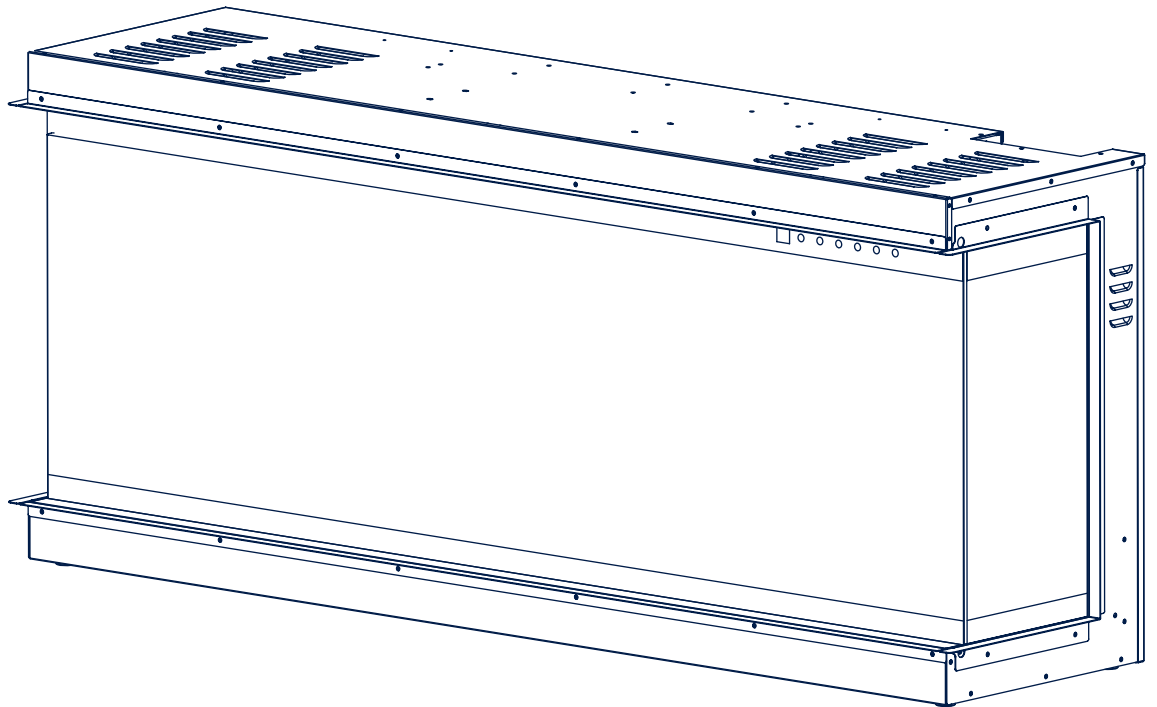
# OWNER'S MANUAL "ELLASON"

ELECTRIC FIREPLACE VISIBLE FROM 3 SIDES:  
WALL INSTALLATION



NOBLE FLAME

CE AC 220-240V 50HZ 1400-1600W



## MODEL

610 (24")

1040 (40")

1530 (60")

740 (29")

1270 (50")

## CAUTION

- > Read and understand this entire owner's manual, including all safety information, BEFORE plugging in or using this product. Failure to do so could result in fire, electric shock, or serious personal injury.
- > Keep this owner's manual for future reference. If you sell or give this product away, make sure this manual accompanies this product.

## IMPORTANT SAFETY INFORMATION!

SAVE THESE INSTRUCTIONS!

- › **Read all instructions before using this heater!**

### CAUTION

- › **This heater is hot when in use.**
- › To avoid burns, **DO NOT** let bare skin touch hot surfaces. If provided, use handles when moving this heater. Keep combustible materials, such as furniture, pillows, bedding, papers, clothes, and curtains **at least 3 feet (1.0 m)** from the front of the heater and keep them away from the sides and rear.
- › **Extreme caution is necessary when any heater is used by or near children or invalids** and whenever the heater is left operating and unattended.
- › **DO NOT** operate any heater with a damaged cord or plug or after the heater malfunctions, has been dropped or damaged in any manner. Discard heater or return to authorized service facility for examination and/or repair.
- › **DO NOT** run power cord under carpeting. **DO NOT** cover power cord with throw rugs, runners, or similar coverings. **DO NOT** route power cord under furniture or appliances. Arrange power cord away from traffic area, and where it will not be tripped over.
- › Connect to properly grounded outlets **ONLY**.
- › **DO NOT** insert or allow foreign objects to enter any ventilation or exhaust opening, as this may cause electric shock or fire, or damage the heater.
- › To prevent a possible fire, **DO NOT** block air intakes or exhaust in any manner. Doing so could cause a fire. **DO NOT** use on soft surfaces, like a bed, where openings may become blocked.
- › A heater has hot and arcing or sparking parts inside. **DO NOT** use it in areas where gasoline, paint, or flammable liquids are used or stored.
- › **Use this heater only as described in this manual.** Any other use not recommended by the manufacturer may cause fire, electric shock, or injury to persons.
- › **ALWAYS** plug the electric fireplace directly into an electrical outlet and avoid using extension cords. If using an extension cord, check that it is intact and rated for at least 1,875 watts and 14 amps.
- › **DO NOT** place the heater near a bed because objects such as pillows or blankets can fall off the bed and be ignited by the heater.
- › **NEVER** use this heater in bathrooms, laundry rooms, or any other location where the heater could fall into a bathtub or pool, become damp, or come in contact with water.

### CAUTION

- › **AVOID FIRE!**
- › Regularly inspect all air vents to make sure they are free from dust, lint, or other blockage. Unplug the unit and clean with a vacuum **ONLY**. **DO NOT rinse or get wet.**
- › **NEVER** hang this unit on a wall directly below an electrical outlet.

## IMPORTANT SAFETY INFORMATION!

SAVE THESE INSTRUCTIONS!

### CAUTION

› **INDOOR use only! NEVER use this heater outdoors!** Doing so may result in electric shock!

› This product is not intended to be a primary heat source. It is for supplemental heat only.

### CAUTION

› **Risk of electric shock! DO NOT OPEN! No user-serviceable parts inside!**

› **NEVER** modify this heater. Doing so could result in personal injury or property damage. Modification of this fireplace completely voids all warranties.

› **ALWAYS** turn this heater off before unplugging it from the outlet.

› **ALWAYS** disconnect this unit from the power supply before performing any assembly or cleaning, or before relocating the electric fireplace.

› **NEVER** leave this heater unattended. **ALWAYS** unplug this heater when not in use.

› **ALWAYS** store this heater in a dry location. **NEVER** use the fireplace if it has become wet.

› **ONLY** use this heater on a **220V AC 15-Amp** grounded circuit. **NEVER** overload the circuit. If this heater trips the circuit breaker, unplug all other appliances on the same circuit before the next use. Avoid plugging other appliances into the same circuit as this heater.

› **NEVER** plug this heater into an outlet that is old, cracked, or has any loose wires or connections. Plugging this heater into a faulty outlet could result in electric arcing within the outlet that could cause the outlet to overheat or catch fire.

› **ALWAYS** check your heater cord and plug connections with each use!

a. **MAKE SURE** the plug fits tight in the outlet! Faulty wall outlet connections or loose plugs can cause the outlet to overheat.

b. Heaters draw more current than small appliances. Overheating may occur even if it has not occurred with the use of other appliances.

c. During use check frequently to see if the **plug outlet or face plate is HOT!**

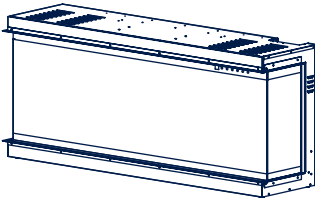

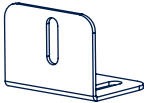




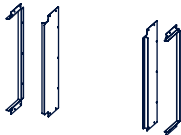

d. If the **outlet or face plate is HOT**, discontinue use immediately and have a qualified electrician inspect and/or replace the faulty outlets.

## PREPARATION

### CAUTION

- > This product includes a GLASS panel! Always use extreme caution when handling glass. Failure to do so could result in personal injury or property damage.
  
- > Remove all parts and hardware from the carton and place them on a clean, soft, dry surface. Parts and assembly steps are grouped for wall-hanging use. Check the parts list to make sure nothing is missing. Dispose of packaging materials properly. Please recycle whenever possible.
  
- > **You will need the following tools (not included):**
  - > Phillips screwdriver
  - > stud finder
  - > level
  - > tape measure
  - > electric drill
  - > 1/4" wood drill bit
  - > hammer

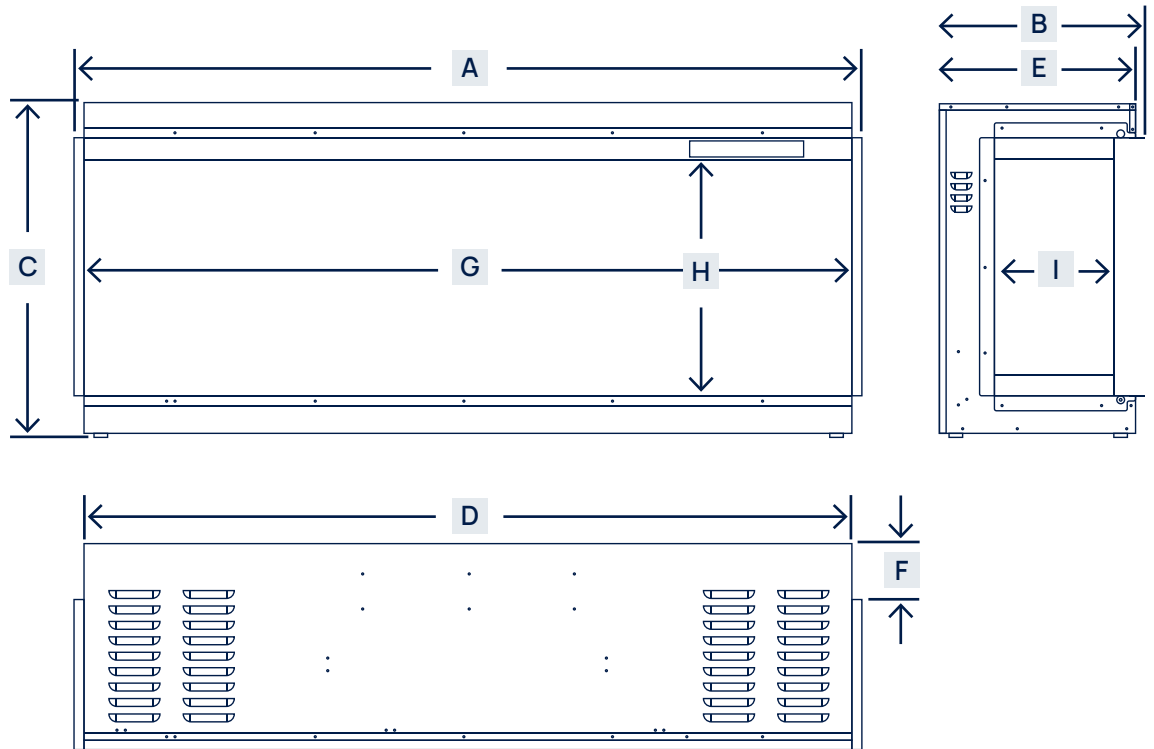
## PARTS & HARDWARE

 <p><b>A</b> Electric fireplace <b>ELLASON</b></p>	 <p><b>B</b> Screws</p>	 <p><b>E</b> Metal brackets</p>	 <p><b>H</b> Gloves</p>
	 <p><b>C</b> Drywall anchors</p>	<p><b>F</b> Crushed Glass (crystal clear black smoky)</p> 	
<p><b>D</b> Fending panels &amp; -bars (fixed to sides of fireplace)</p>		<p><b>G</b> Log set</p> 	<p><b>I</b> Remote Control</p>

### NOTICE

- > **F & G** are dependent on your selection.

## SPECIFICATION & DIMENSION



MODEL	A	B	C	D	E	F	G	H	I
<b>ELLASON 610</b>	23.75" 60.5cm	12.5" 31.7cm	27.32" 69.4cm	22.63" 57.5cm	11.87" 30.2cm	3.5" 9cm	22.5" 57cm	21.1" 53.7cm	7" 18cm
<b>ELLASON 740</b>	29" 73.5cm	12.5" 31.7cm	28.5" 72.4cm	27.8" 70.6cm	11.87" 30.2cm	3.5" 9cm	27.5" 70cm	22.4" 56.7cm	7" 18cm
<b>ELLASON 1040</b>	40.7" 103.5cm	12.5" 31.7cm	22.25" 56.7cm	39.5" 100.5cm	11.87" 30.2cm	3.5" 9cm	39.4" 100cm	16.1" 41cm	7" 18cm
<b>ELLASON 1270</b>	50" 127cm	13" 33.2cm	21.2" 54cm	48.8" 124cm	12.5" 31.7cm	3.5" 9cm	48.6" 123.5cm	15" 38.1cm	7.7" 19.5cm
<b>ELLASON 1530</b>	60" 152.4cm	13" 33.2cm	21.2" 54cm	58.8" 149.4cm	12.5" 31.7cm	3.5" 9cm	58.6" 148.9cm	15" 38.1cm	7.7" 19.5cm

# INSTALLATION & ASSEMBLY

## INSTALLATION

**NOTICE**

> Your appliance is a wall-mounted, recessed and/or mantel installed appliance. Select a suitable location that is not susceptible to moisture and is away from drapes, furniture and high traffic areas.

**CAUTION**

> Follow all national and local electrical codes.

**CAUTION**

> Be sure to mount your ELLASON fireplace in such a way that the fireplace can be removed from the niche to the front or back in case of service without damaging the conversion. The easiest way to achieve this is to mount the ELLASON fireplace without protective strips into the finished niche without fastening.

**CAUTION**

> When using paints or varnishes to finish the mantel, make sure they are heat resistant to prevent discoloration.

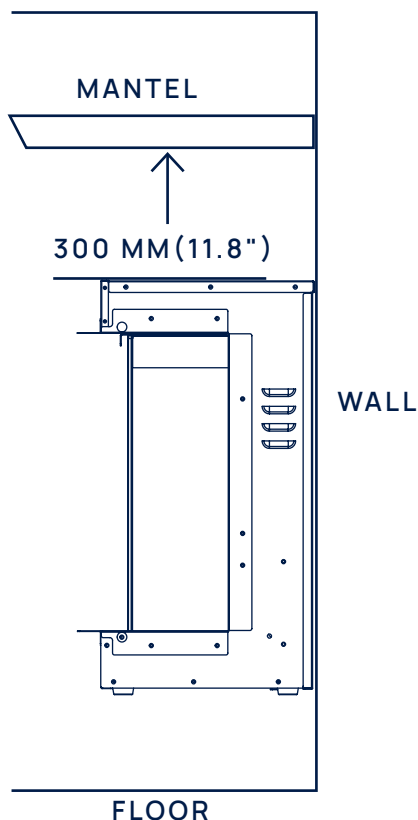
> ALWAYS unplug this fireplace before assembly or cleaning, or before relocating. Failure to do so could result in electric shock, fire, or personal injury.

### MINIMUM CLEARANCE TO COMBUSTIBLES

**MEASUREMENTS ARE TAKEN FROM THE GLASS FRONT**

<b>BOTTOM</b>	0 mm (0")	<b>TOP</b>	300 mm (11.8") to mantel
<b>SIDES</b>	0 mm (0")	<b>FRONT</b>	1.000 mm (39.3")
<b>BACK</b>	0 mm (0")		

### SIDE VIEW



# INSTALLATION & ASSEMBLY

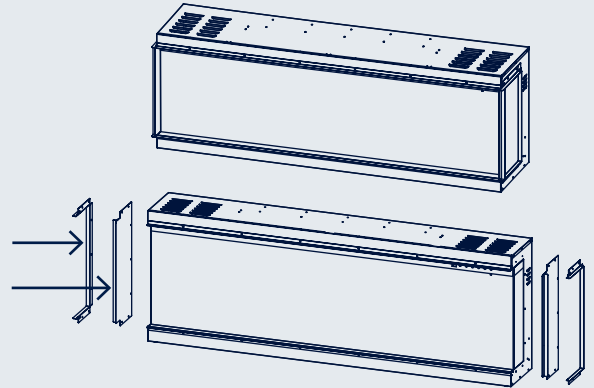
## INSTALLATION

### STEP 1

- › The fireplace can be fixed with fending bars and panels on the left and right side if it is ensured that the fireplace can be removed for repair without damaging the installation structure.

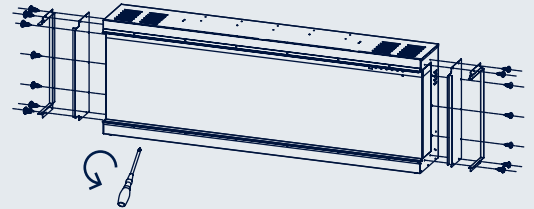
FENDING PANEL →

FENDING BAR →



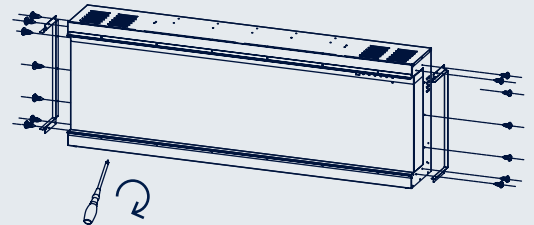
### STEP 2

- › Take off the fending bars and panels if you want to view the fire from three sides.



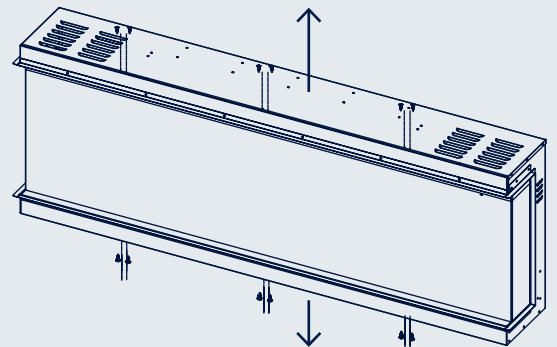
### STEP 3

- › Fix back the fending bars after the panels are removed.



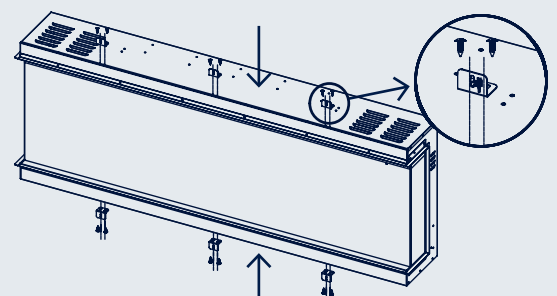
### STEP 4

- › Remove the screws from the fireplace as shown in the picture below.



### STEP 5

- › Fix the metal brackets (E) with the screws from the previous step.

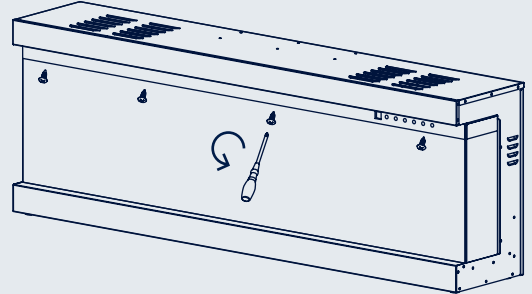


# INSTALLATION LOG SET/ CRUSHED GLASS

DEPENDING ON EQUIPMENT

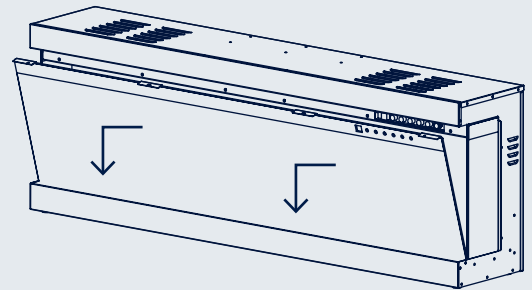
## STEP 1

- › Use a screwdriver to take off the four screws (as shown in the figure).



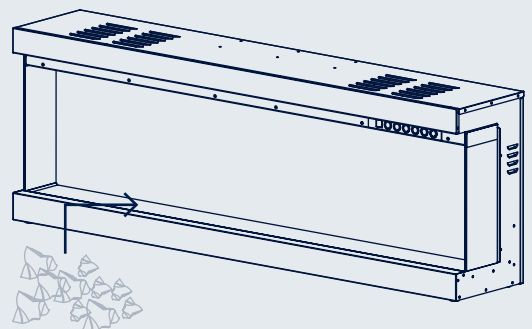
## STEP 2

- › Have two people take out the glass panel and move it to a clean soft place to avoid scratching.



## STEP 3

- › Place the decorative crushed glass on the media tray. Apply an even layer from side to side.



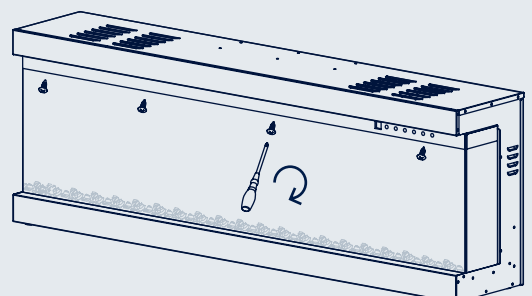
## STEP 4

- › Put the log set on the surface with the crushed glass.



## STEP 5

- › After placing all decorative media, insert the glass panel back and fasten the screws.





## OPERATION

### CAUTION

- › Read and understand this entire owner's manual, including all safety information, before plugging in or using this product. Failure to do so could result in electric shock, fire, serious injury, or death.

### POWER

- › Plug the power cord into a **220-240 Volt 15 Amp** grounded outlet (see **IMPORTANT SAFETY INFORMATION** on Pages 2 and 3). Make sure the outlet is in good condition and that the plug is not loose. **NEVER exceed the maximum amperage for the circuit. DO NOT** plug other appliances into the same circuit.

### NOTICE

- › When the heater is first turned on, a slight odor may be present. This is normal and should not occur again unless the heater is not used for a long period of time.

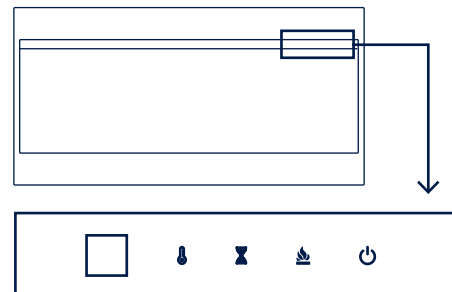
### NOTICE

- › To improve operation, aim the remote control at the front of the fireplace. **DO NOT** press the buttons too quickly. Give the unit time to respond to each command.

### METHODS OF OPERATION

- › This electric fireplace can be operated by the **TOUCH PANEL**, located on the **top right side** glass panel of the fireplace, or by the battery-powered **REMOTE CONTROL**.
- › Before operating, please review the **IMPORTANT SAFETY INFORMATION** on Pages 2 and 3, and heed all warnings.

#### FRONT VIEW

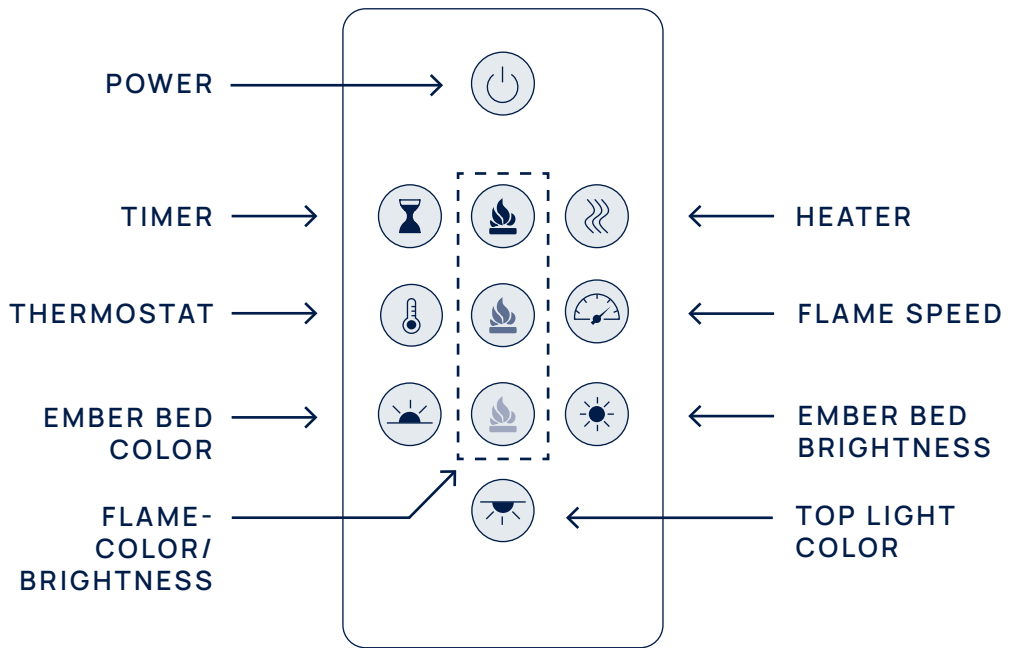


#### TOUCH PANEL

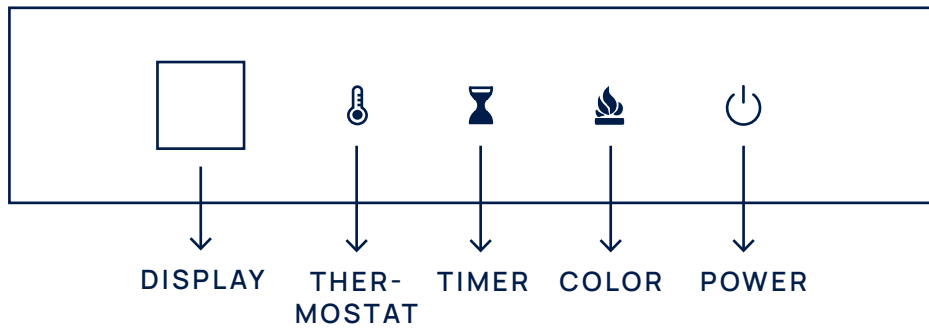
## HOTEL-MODE

- › By using this mode, your individual settings for the following functions will be retained not only after you turn off the power on the touch panel or remote control, but also when you disconnect the power:
  - › Flame color
  - › Flame brightness
  - › Flame speed
  - › Ember bed color
  - › Ember bed brightness
  - › Top light color
- › The settings for heating, temperature and timer are not saved and are automatically reset to default after power off.

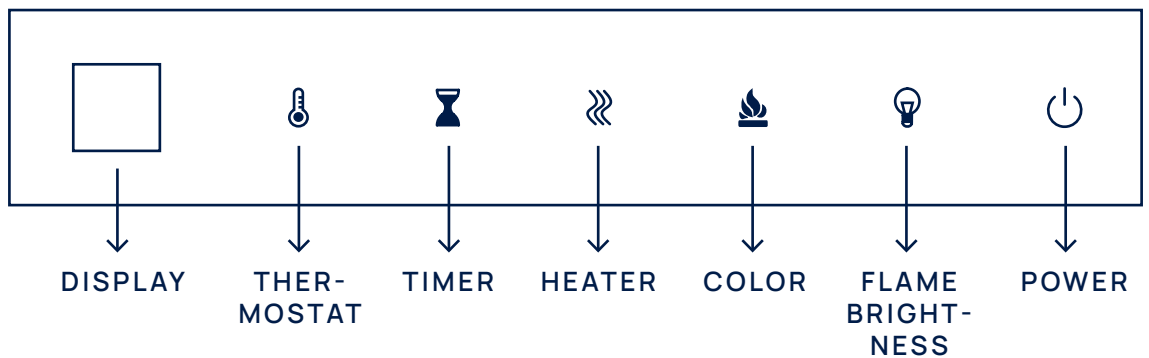
# REMOTE CONTROL



# TOUCH PANEL: ELLASON 610 | 740 | 1040



# TOUCH PANEL: ELLASON 1270 | 1530



## REMOTE CONTROL/ TOUCH PANEL: FUNCTIONS

BUTTON	FUNCTION	ACTION & INDICATION	
	POWER	<ol style="list-style-type: none"> <li><b>Press once:</b> Indicator light turns on. Power turns on. All functions enabled.</li> <li><b>Press again:</b> Flame effect turns off. Unit goes to standby. All functions turn off.</li> </ol>	
	HEATER	<ol style="list-style-type: none"> <li><b>Press once:</b> The Heater and fan turn on.</li> <li><b>Press again</b> until desired heating level is reached.</li> </ol>	
	TIMER	<ol style="list-style-type: none"> <li><b>Press once:</b> Indicator light turns on. Timer is set to 0.5 hours.</li> <li><b>Press again</b> until desired setting is reached. Indicator lights show setting.</li> </ol>	
	THERMOSTAT	<ol style="list-style-type: none"> <li><b>Press once:</b> The display becomes active and shows the temperature level.</li> <li><b>Press again</b> until desired temperature setting is reached. The digital display shows the settings as in the overview (p. 12).</li> </ol>	
	FLAME SPEED	<ol style="list-style-type: none"> <li><b>Press once:</b> The speed of the flames changes.</li> <li><b>Press again</b> until desired flame speed is reached.</li> </ol>	
	EMBER BED COLOR	<ol style="list-style-type: none"> <li><b>Press once:</b> Ember bed color changes.</li> <li><b>Press again</b> until desired color is reached.</li> </ol>	
	EMBER BED BRIGHTNESS	<ol style="list-style-type: none"> <li><b>Press once:</b> Ember bed brightness changes.</li> <li><b>Press again</b> until desired brightness is reached.</li> </ol>	
	TOP LIGHT COLOR	<ol style="list-style-type: none"> <li><b>Press once:</b> Top light color changes.</li> <li><b>Press again</b> until desired color is reached.</li> </ol>	
REMOTE CONTROL		BLUE FLAME	<ol style="list-style-type: none"> <li><b>Press once:</b> Flame effect becomes dimmer and brighter.</li> <li><b>Press again</b> until desired brightness is reached.</li> </ol>
		ORANGE FLAME	
		YELLOW FLAME	
TOUCH PANEL		COLOR	<ol style="list-style-type: none"> <li><b>Press once:</b> Flame color effect changes.</li> <li><b>Press again</b> until desired color is reached. <b>Total 3 colors.</b></li> </ol>
		FLAME BRIGHTNESS	<ol style="list-style-type: none"> <li><b>Press once:</b> Flame effect becomes dimmer and brighter.</li> <li><b>Press again</b> until desired brightness is reached.</li> </ol>

## SETTING OPTIONS

### POWER

- > Turns the fireplace on/off.

### FLAME BRIGHTNESS

- > **F4** - brightest flame (default)
- > **F3** - bright flame
- > **F2** - medium flame
- > **F1** - small flame
- > **F0** - flame off

### HEATER

- > **H0** - heater and blower off
- > **bL** - blower on
- > **H1** - low heat
- > **H2** - high heat
- > **LO** - Heater button can be locked or unlocked by holding the Heater button for 5 seconds.

### TIMER

- > 00
- > 30min
- > 1h
- > 2h
- > 3h
- > 4h
- > 5h
- > 6h
- > 7h
- > 8h

### THERMOSTAT

- > 64 F° [18 C°]
- > 66 F° [19 C°]
- > 68 F° [20 C°]
- > 70 F° [21 C°]
- > 72 F° [22 C°]
- > 74 F° [23 C°]
- > 76 F° [24 C°]
- > 78 F° [25 C°]
- > 80 F° [26 C°]
- > 82 F° [27 C°]
- > 84 F° [28 C°]
- > 86 F° [29 C°]
- > 88 F° [30 C°]
- > and OFF
- > **NOTE:** To change temperature format from Fahrenheit to Celsius or vice versa, press and hold the Flame button for 5 seconds.

### FLAME SPEED

- > **1** - slow
- > **2** - medium
- > **3** - fast (default)

### EMBER BED COLOR

- orange (default)
- red
- blue
- yellow
- green
- purple
- azure
- carmine
- white
- pink
- Auto-cycle through orange, red, blue, yellow, green, purple, azure, carmine, white, pink.  
**NOTE:** It will take 5 seconds to switch between colors.
- Locks the desired color
- Unlocks color and back to 1.

### EMBER BED BRIGHTNESS

- > **b5** - brightest (Standard)
- > **b4** - bright
- > **b3** - medium
- > **b2** - low
- > **b1** - lowest

### TOP LIGHT COLOR

- orange (default)
- red
- blue
- yellow
- green
- purple
- azure
- carmine
- white
- pink
- orange red
- turn off top light
- loop to 1

## TEMPERATURE LIMITING CONTROL

- › This heater is equipped with a Temperature Limiting Control. Should the heater reach an unsafe temperature, the heater will automatically turn OFF.

### TO RESET

1. Turn the ON/OFF switch on the CONTROL PANEL to OFF. Wait 5 minutes.
2. Unplug the power cord from the outlet.
3. Inspect the fireplace to make sure no vents are blocked or clogged with dust or lint. If they are, use a vacuum to clean the vent areas.
4. Plug the power cord back into the outlet. Then turn the fireplace on.
5. If the problem continues, have your outlet and wiring inspected by a professional.

## REMOTE CONTROL BATTERY INFORMATION

- › Big remote control uses **CR2025 battery** (included).

### CAUTION

- › **NEVER dispose of batteries in fire.**
- › Failure to observe this precaution may result in an explosion. Dispose of batteries at your local hazardous material processing center.

## CARE & MAINTENANCE

### CLEANING

#### ⚠ CAUTION

- › **ALWAYS** turn the heater **OFF** and unplug the power cord from the outlet before cleaning, performing maintenance, or moving this fireplace. **Failure to do so could result in electric shock, fire, or personal injury.**
- › **NEVER immerse in water or spray with water.** Doing so could result in electric shock, fire, or personal injury.

#### METAL

- › Buff using a soft cloth, slightly dampened with a citrus oil-based product.
- › **DO NOT** use brass polish or household cleaners as these products will damage the metal trim.

#### GLASS

- › Use a good quality glass cleaner sprayed onto the cloth or towel. Dry thoroughly with a paper towel or lintfree cloth.
- › **NEVER** use abrasive cleansers, liquid sprays, or any cleaner that could scratch the surface.

#### VENTS

- › Use a vacuum or duster to remove dust and dirt from the heater and vent areas.

#### PLASTIC

- › Wipe gently with a slightly damp cloth and a mild solution of dish soap and warm water.
- › **NEVER** use abrasive cleansers, liquid sprays, or any cleaner that could scratch the surface.

## MAINTENANCE

#### ⚠ CAUTION

- › **Risk of electric shock! DO NOT OPEN any panels ! No user-serviceable parts inside!**
- › **ALWAYS** turn the heater **OFF** and unplug the power cord from the outlet before cleaning, performing maintenance, or moving this fireplace. Failure to do so could result in electric shock, fire, or personal injury.

#### ELECTRICAL AND MOVING PARTS

- › The fan motors are lubricated at the factory and will not require lubrication.
- › Electrical components are integrated in the fireplace and are not serviceable by the consumer.

#### STORAGE

- › Store heater in a clean dry place when not in use.

#### ⚠ CAUTION

- › **NO SERVICING of the internal or electrical parts should be performed by the consumer. Do not service the unit yourself.**

## TROUBLESHOOTING

### ⚠ CAUTION

- › Disconnect the appliance completely and let cool prior to any service.
- › Only a qualified service person should service and repair this electric appliance.

PROBLEM	POSSIBLE CAUSE	SOLUTION
1. Fireplace turns off and will not turn on.	1. Fireplace has overheated and safety device has caused thermal switch to disconnect or home circuit breaker has opened.	1. Reset switch by turning main power switch off and waiting 10 minutes then turning it back on. 2. Reset circuit breaker.
2. Flame is not moving.	1. Wiring is loose. 2. Flame motor defective. 3. Flamerod out of place.	1. Inspect wiring for loose connections. 2. Call a qualified service technician to replace flame motor. 3. "Flame Rod" out of place due to rough transit/handling of the product. This issue can be corrected as simple as removing the glass, flipping the fireplace upside down, removing a set of screws that are holding the bottom frame plate and placing the flame rod back into place.
3. Flame is not visible.	1. Wiring is loose.	1. Disconnect from power source and inspect wiring for loose connections and repair or replace as necessary. 2. Push the flame button to high position.
4. Log set is not glowing.	1. Wiring is loose. 2. Ember is in off mode	1. Disconnect from power source and inspect wiring for loose connections and repair or replace as necessary. 2. Push the ember button to high position.
5. Remote Control does not work .	1. Low batteries 2. Not aiming control correctly. 3. Defective remote control and/or sensor.	1. Replace batteries in remote control. 2. Aim control at sensor located directly behind glass screen in center of unit just above logs. 3. Replace remote control and/or sensor.

## TROUBLESHOOTING

PROBLEM	POSSIBLE CAUSE	SOLUTION
1. Fireplace will not turn on when switch is flipped to ON.	<ol style="list-style-type: none"> <li>1. Fireplace is not plugged in to an electrical outlet.</li> <li>2. Control failure.</li> <li>3. Breaker tripped.</li> </ol>	<ol style="list-style-type: none"> <li>1. Check plug.</li> <li>2. Call a qualified service technician.</li> <li>3. Reset breaker.</li> </ol>
2. Heater does not provide heat when turned on.	<ol style="list-style-type: none"> <li>1. Thermal switch has been tripped.</li> <li>2. Wiring is loose.</li> <li>3. Heater is defective.</li> </ol>	<ol style="list-style-type: none"> <li>1. Turn unit off and unplug unit for 10 minutes. Plug back in and turn unit on. If plug cannot be reached, follow directions for tripped circuit breaker.</li> <li>2. Disconnect from power source and inspect wiring for loose connections and repair or replace if necessary.</li> <li>3. Replace heater.</li> </ol>

**⚠ CAUTION**

- › To remove the glass, you will notice two screws on top sides (right and left) of the fireplace. Once the screws are removed, slide the glass up and away from the fireplace. Once the bottom frame plate is removed, you will notice one flame motor on right side where the rod should be in place with the rubber plugs.
- › Please remember to always have the unit disconnected prior to any work, always lay glass as well as the unit on a towel or other material not to damage parts/frame.
- › This entire process should not take longer than **20-30 minutes**.