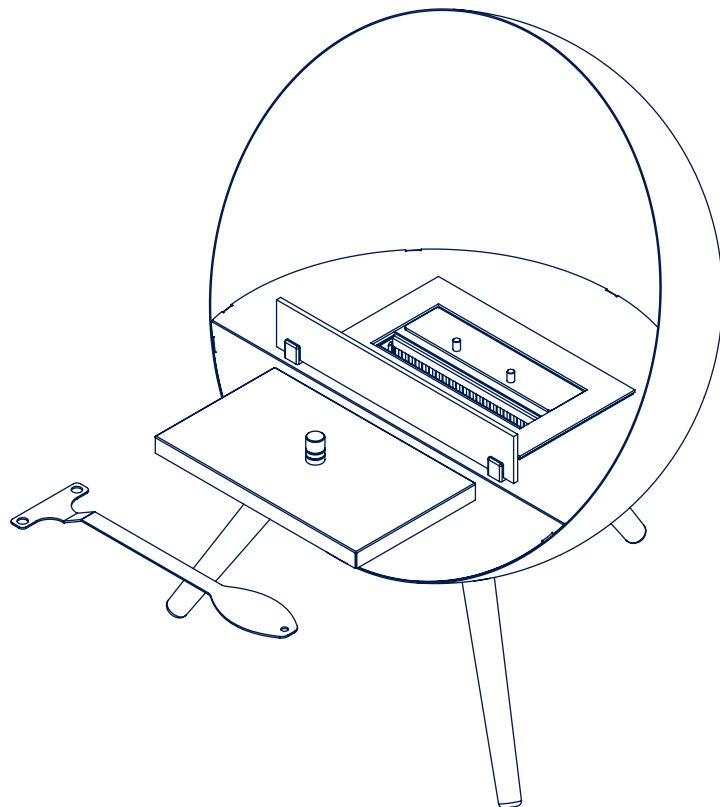


USER MANUAL „METEOR“

BIOETHANOL FIREPLACE



NOBLE FLAME



👉 THANKS!

- › Thank you for choosing our bioethanol fireplace Meteor.
- › The bioethanol fireplace can be placed anywhere in the house or apartment. Bioethanol fireplaces are the environmentally friendly solution for a real fire without the need for a chimney or gas supply. Our fireplaces are made of stainless steel and/or steel with a modern design concept. They create a warm relaxed atmosphere. Since bioethanol burns almost residue-free, regular ventilation is sufficient in most cases, if the room is large enough.

⚠ CAUTION

- › Read and understand the entire instruction manual, including all safety information, before connecting or using the product.
- › Keep this manual for future reference. If you sell or give this product as a gift, be sure to include this manual with the product.

IMPORTANT SAFETY INFORMATION

KEEP THIS MANUAL IN A SAFE PLACE!

⚠ CAUTION

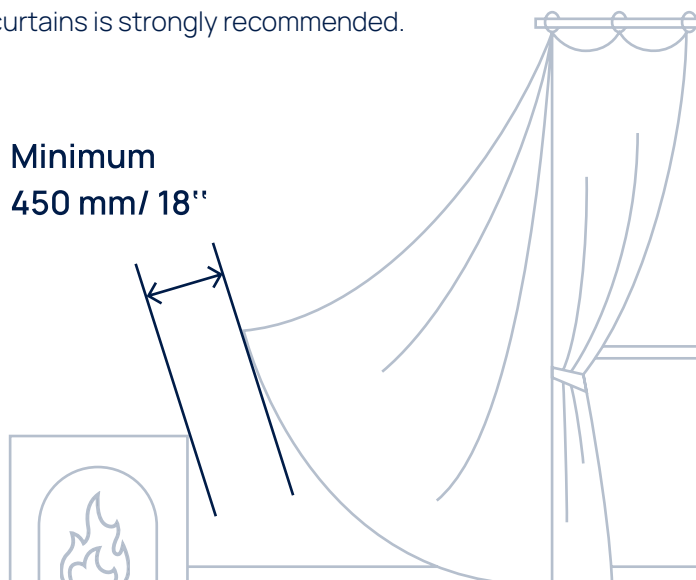
› **Read all instructions before using this bioethanol fireplace!**

- › The bio-fire consumes oxygen from the air in the room during operation. The rooms should be well ventilated, supplied with sufficient oxygen and fresh air (i.e. slightly open windows if the room is not ventilated).
- › The ventilated room in which the fireplace is operated should not be smaller than 44 m³ (with an average ceiling height of 2.30 m, the room should be at least 20 m²).
- › It is not recommended to use more than one fireplace in one room at the same time.

⚠ CAUTION

› **Never leave open fire unattended!**

- › The fireplace must not be used in the immediate vicinity of window coverings, curtains or other free-hanging materials or fabrics. To prevent your curtain from touching the appliance, keep a minimum distance of 1.5 m (5 ft). Take into account that light fabrics can be blown towards the fireplace by a gust of wind.
- › The use of „holding loops“ for curtains is strongly recommended.



- › Keep the bioethanol canisters tightly closed.
- › Keep the bioethanol out of reach of children and animals.
- › The fire container and the bioethanol must not be exposed to direct heat such as direct sunlight or central heating.
- › The fireplace should be at least 1 meter away from other objects or furniture made of combustible material.
- › Due to the heat of the fireplace, children and animals should stay away during and 30 minutes after using the fireplace.

IMPORTANT SAFETY INFORMATION

KEEP THIS MANUAL IN A SAFE PLACE!

- › Make sure that the place of installation has a fireproof base.
- › The surface on which the fireplace is placed must be able to support its weight.
- › We recommend that you have a fire blanket and/or fire extinguisher nearby.
- › Do not smoke while the bioethanol is in operation.
- › Avoid drafts in the room where the fireplace is operated.
- › The bioethanol fireplace must not be operated in the immediate vicinity of an air conditioning or ventilation system.
- › We recommend not to use the fireplace in rooms with constant high humidity.

⚠ CAUTION

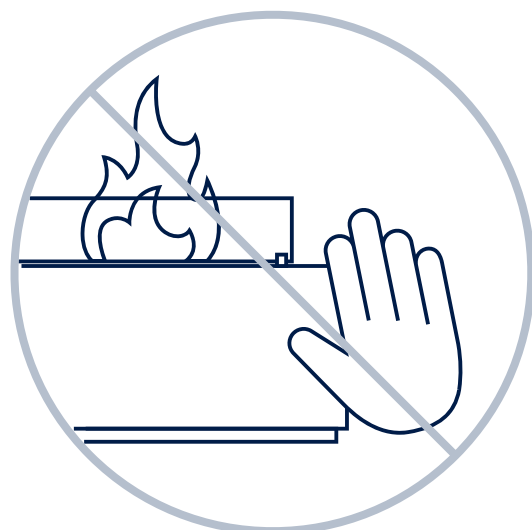
- › **The burner must always be filled to the maximum with 96.6% bioethanol before operation.**
- › When using decorative ceramic wood or stones, it is essential to ensure that no decorative elements are directly in the flame. The decoration may only be placed around the burner slot and must be made of non-combustible material.
- › When replacing the decoration, make sure that it has cooled down.
- › During operation, the decoration material and the glass pane can reach a **temperature of 90° - 140° C**. The burner can reach temperatures of **up to 200° C**.

⚠ CAUTION

- › **Risk of burns!**
- › The product and its components become hot during use and remain hot for some time after the fire has been extinguished.

⚠ CAUTION

- › **Do not touch the product until it has cooled down completely.**



INSTALLATION & ASSEMBLY

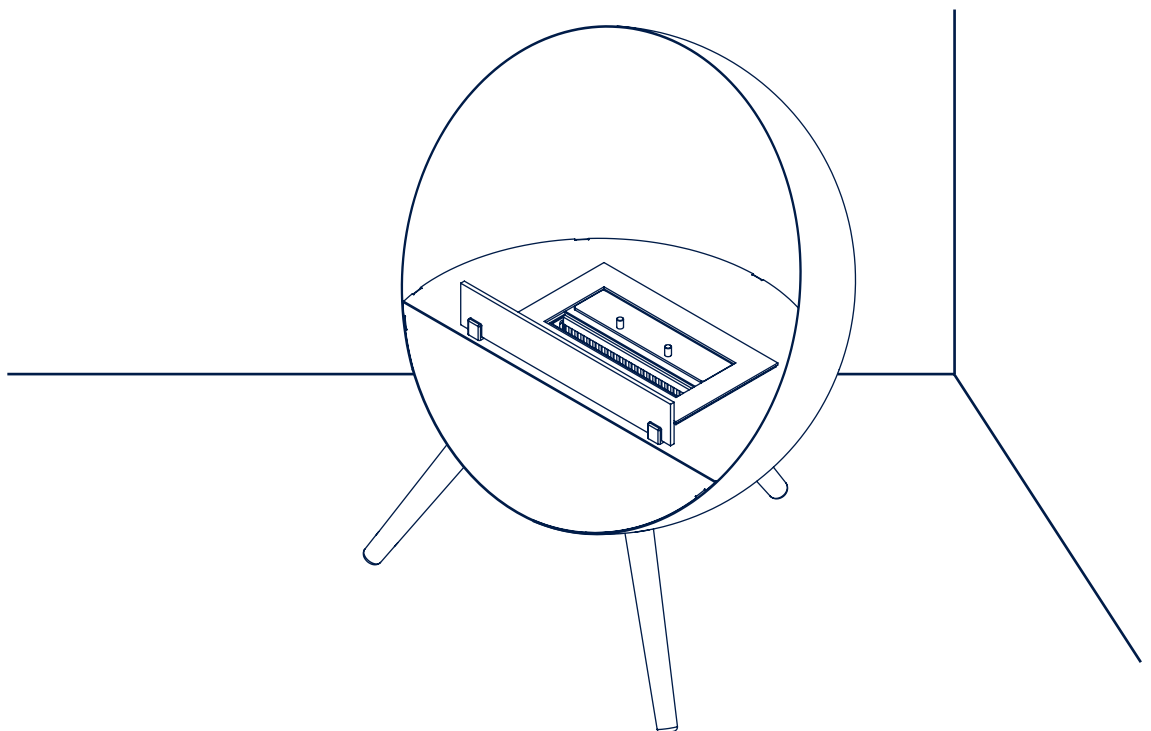
ASSEMBLY

- › Please remove all packing materials before assembly and operation.
- › Mount the legs on the body of the fireplace. To do this, remove the nut in each case and insert the leg through the pre-drilled hole on the underside of the fireplace. Then reach through the burner opening and retighten the nut from the inside.
- › Insert the bioethanol burner into the fireplace facade.
- › Fasten the glass holders with the included screws in the pre-drilled holes in the fireplace facade.
- › Then insert the glass panes into the holders and tighten them with the screws provided.
- › Please note that the screws for fastening the glass pane must only be tightened gently.

INSTALLATION OF FREESTANDING ETHANOL FIREPLACES

CAUTION

- › **Make sure that the fireplace is placed on a fireproof surface.**
- › Ensure sufficient stability of the fireplace. Also, the fireplace must be absolutely straight.
- › Check this with a spirit level. Otherwise, bioethanol may leak.
- › Place the fireplace on a heat-resistant base.



FILLING & LIGHTING THE BURNER

- › Open the burner with the extinguishing aid.
- › Distribute approx. 1/3 of the supplied glow wire in the burner slot.
- › The glow wire makes your fire look even more lifelike and also serves as a safety feature, for detecting flames that are not immediately visible.
- › Use a funnel for filling.
- › **Use only 96.6% bioethanol. We recommend our Gala Bioethanol. If you use higher percentage bioethanol, there is a risk of fire and damage to your fireplace.**
- › The burner must always be filled to the maximum with bioethanol before operation.
- › Spilled ethanol must be removed with an absorbent cloth and the affected area cleaned with water to prevent ignition outside the burner.
- › Long lighters or long matches are ideal for lighting bioethanol burners.



Get the Gala
Bioethanol here

⚠ CAUTION

- › **There is a risk of deflagration. Never throw used matches into the burner.**

- › If the flame does not ignite, please repeat the ignition process until the flame burns evenly.

⚠ CAUTION

- › **Wait at least 30 minutes after extinguishing the flame before restarting the fireplace. There is a risk of deflagration.**

- › The flame glows slowly and small at first. It may take up to 15 minutes to reach the optimum temperature and flame height.

- › The fuel should be stored at room temperature to facilitate its ignition.

⚠ CAUTION

- › **Fuel must be stored a safe distance (min. 1 m / 40 inches) from the fireplace. Do not place ethanol fuel in front of the fireplace.**

- › Please note that the ethanol sometimes burns bluish and is difficult to see. So always make sure the burner is off and cold before adding ethanol.

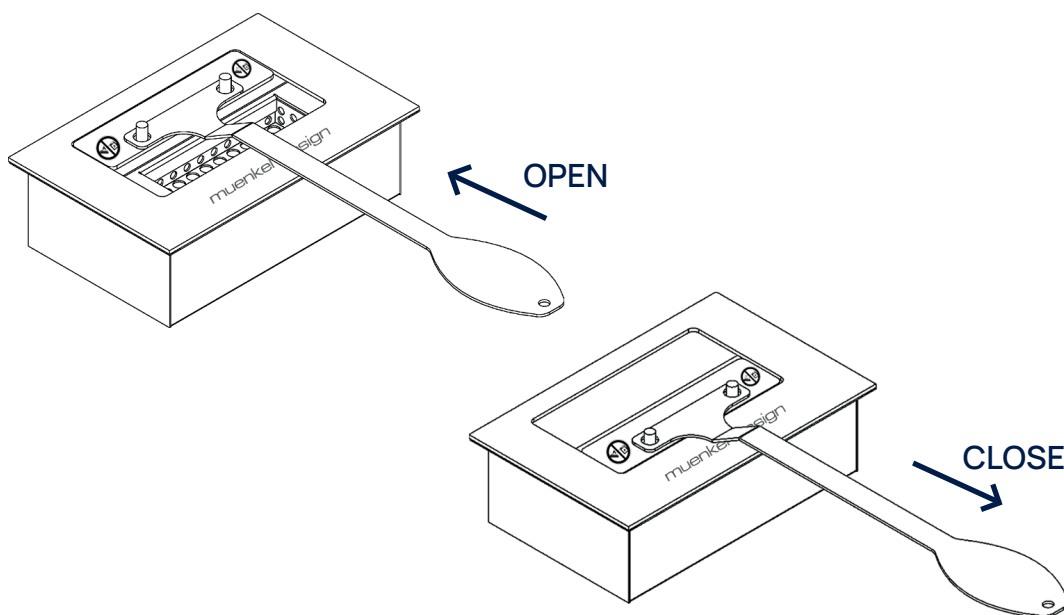
⚠ CAUTION

- › **When lighting, always make sure the fireplace is on a non-combustible surface (not directly on a carpet)!**

EXTINGUISHING

⚠ CAUTION

- › Never extinguish the flame with water!
- › Do not refill the bioethanol while the burner is still burning or hot.
- › Allow the bioethanol to burn as completely as possible. This prevents residue from remaining in the burner and fizzling out when it is relit.
- › If you want to extinguish the flame before the bioethanol has completely burned, use the supplied extinguishing aid to close the burner opening. Wait approximately 30 minutes for the burner to reach room temperature. Refill the burner completely before the next use.
- › Use only the extinguishing aid supplied with this unit. Never use a wooden or plastic tool and never use your bare hands.
- › The burner must always be fully open during operation to prevent pressure from building up inside the burner.
- › To extinguish the fire, quickly pull the slide to the front of the burner. If the fire is not extinguished, open the slide again and repeat the extinguishing process.



SCAN ME

- › Check out the video tutorial for the Safety Burner [here](#).

BIOETHANOL BURNER

WARNINGS FOR BURNERS

NOTICE

- › The fire burns for several hours (depending on the fuel and the filling capacity of the burner). The removable burner is located in the fireplace. Take precautions when moving the unit.

- › Check the burner for a leak before lighting the unit.

CAUTION

- › **Do not touch the hot surface!**



- › Use the supplied extinguishing aid to close the flame.
- › Never use a wooden or plastic tool and never use your bare hands.
- › Pulling the plate towards the front of the burner will reduce the flame height as well as the heat output.
- › Spilled bioethanol next to the burner can cause unexpected flames.
- › Do not store flammable objects near the burner.
- › Do not smoke while using bioethanol.
- › Please remember to fill the burner to the maximum with bioethanol before each use.

CAUTION

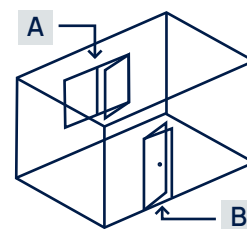
- › **Do not use gasoline or any other fuel except 96.6% bioethanol.**

- › If you do not allow the burner to burn out completely, refill it to the maximum before the next use.
- › Do not leave children or animals unattended.

NOTICE

- › Ventilate room sufficiently by opening windows or doors slightly.

- A Open window slightly, e.g. 50 mm/ 2"
- B Open door slightly, e.g. 50-100 mm/ 2"-4"



CAUTION

- › **Never pour fuel into the burning flame!**

- › Allow the burner to cool for at least 30 minutes before refilling.



CAUTION

- › **Do not refill the bioethanol while the burner is still burning or hot.**



CARE, MAINTENANCE & TROUBLESHOOTING

- > Discoloration may form on the surface of the torch after use. This is normal and not a reason for complaint.
- > The fireplace facade should be cleaned regularly. Use warm water and a gentle cleaning agent.
- > Stains are best removed with a soft cloth and a mixture of lukewarm water and some cleaning fluid (pH neutral).
- > Dust can be removed with a dry cloth.
- > Please use a special sand-free stainless steel cleaner for the stainless steel surfaces. **We recommend our stainless steel cleaner „Kaminglanz“.**
- > **For Glass surfaces we recommend our glass cleaner „Klarsicht“.**
- > Never use chemicals, steel wool or sponges. This may scratch the surface. The manufacturer cannot be held responsible for damage caused by improper use and/ or cleaning of the product.

Get the cleaner here



TROUBLESHOOTING

⚠ CAUTION	ERROR	POSSIBLE REASON	SOLUTION
	Soot formation	Wrong fuel (e.g. gel)	Use only 96.6% bioethanol
	Soot formation	Burner slot covered by objects	Expose the burner opening and place the decoration only around the burner slot
	Burning time too short	Wrong fuel (e.g. gel)	Use only 96.6% bioethanol
	Burning time too short	Burner not completely filled	Extinguish the burner and refill with new bioethanol after 30 minutes
	Flame height too high	Wrong fuel (e.g. gel)	Use only 96.6% bioethanol
	Flame does not extinguish when burner slot is closed	This can happen with larger burners, because the ethanol vapor tries to find its way through every small opening.	Repeat the extinguishing process several times and faster to cut off the oxygen supply

WARRANTY

- › Your bioethanol burner has a two-year warranty against manufacturing defects, starting from the date of purchase. Contact the dealer in case of a problem.
- › The warranty is void if the fireplace has been misused or used for purposes other than those for which it was built. The warranty is also void in the event of damage or accidents that occur due to negligence, poor supervision or alteration of the shape of parts.

WARNINGS

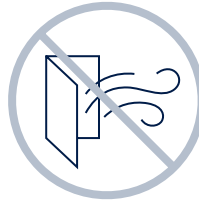
- › Do not put ethanol on the flame



- › Do not block the flame



- › Do not create a draft



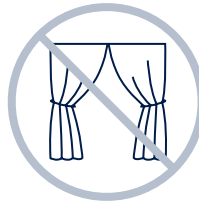
- › Do not blow on the flame



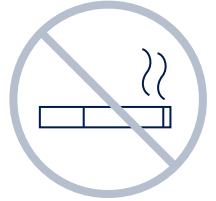
- › Do not approach or touch



- › Be careful with flammable objects



- › Do not smoke when filling



- › Keep extinguishing agent within reach



- › Fire hazard



- › Harmful to health

