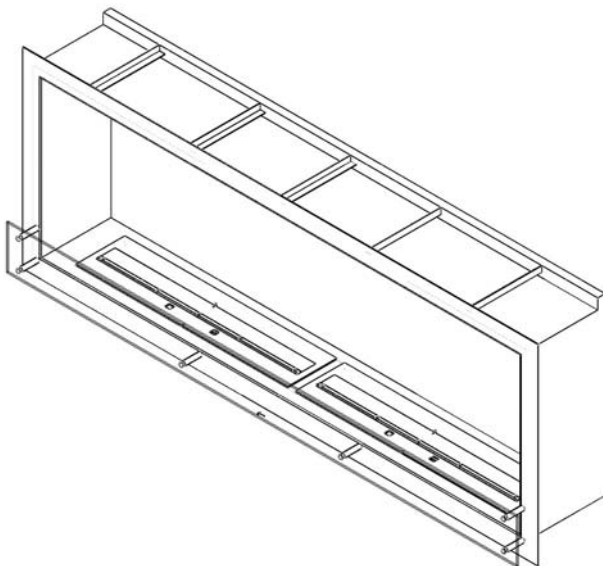


# Fire Wonderland



## GlammBox 2150

### Dimensions

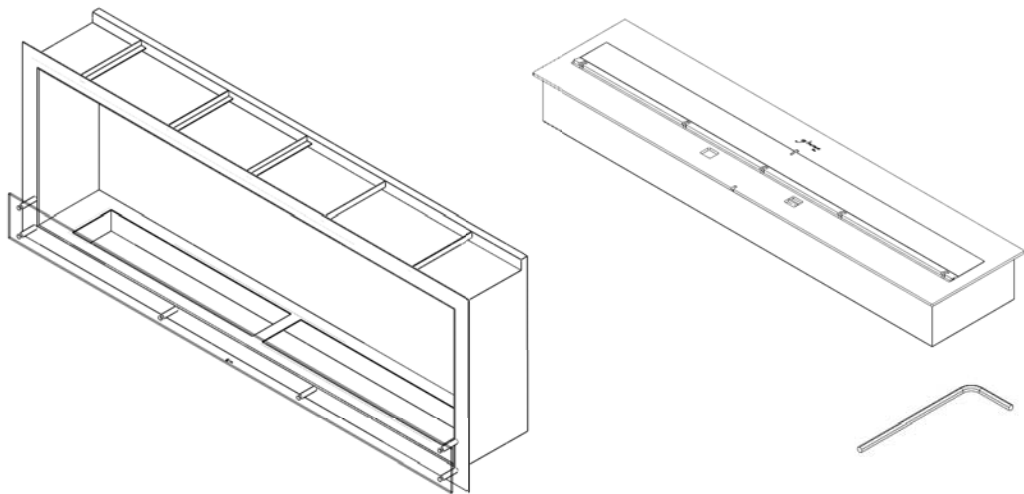
H 885 mm x W 2310 mm x D 433 mm

### Weight (without burners)

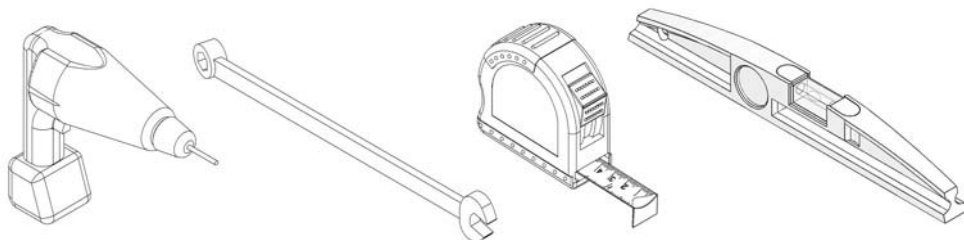
122 kg

*glamm*<sup>®</sup>  
fire

**Material Supplied/** «GlammBox 2150 » model; Burner; Hex Key.



**Tools Required/** Drill; Wrench; Tape measure; Spirit Level



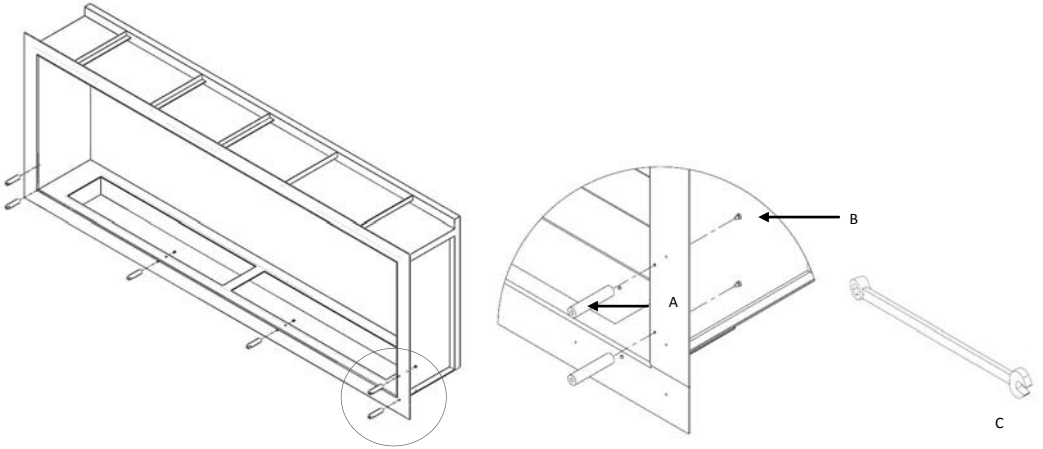
### **Unpacking**

For protection reasons, the fireplace is sent horizontally. Extract the fireplace from the box, grabbing it only from the bottom.

### Assembly / Disassembly of Glass Supports

**Important:**

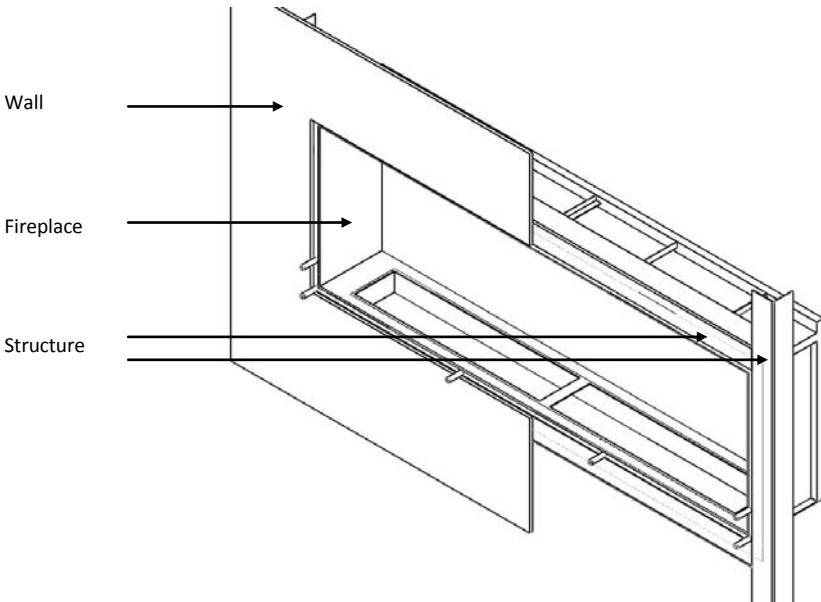
Before starting the assembly of your fireplace do not forget to put the Glass Support Base on first.

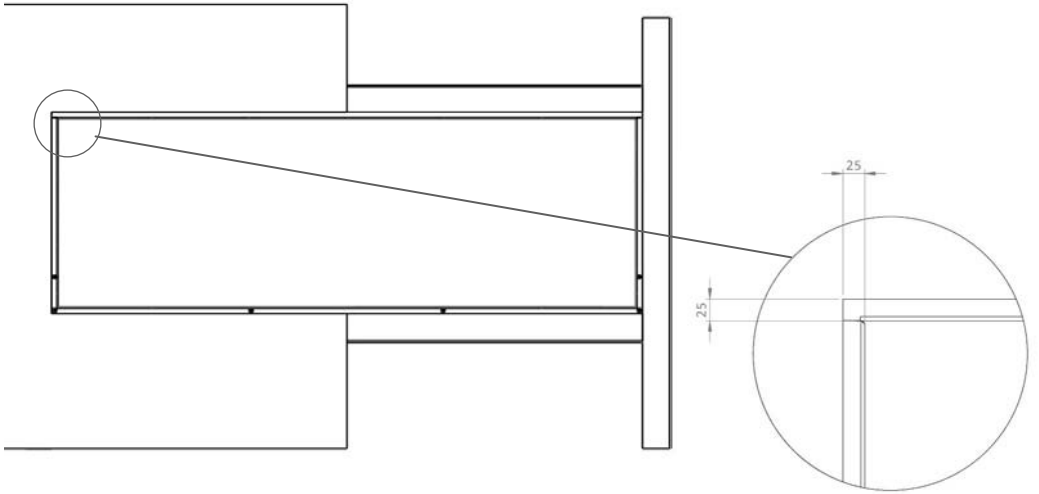


Screw (B) in (A) with help of (C)

### Installation Procedures

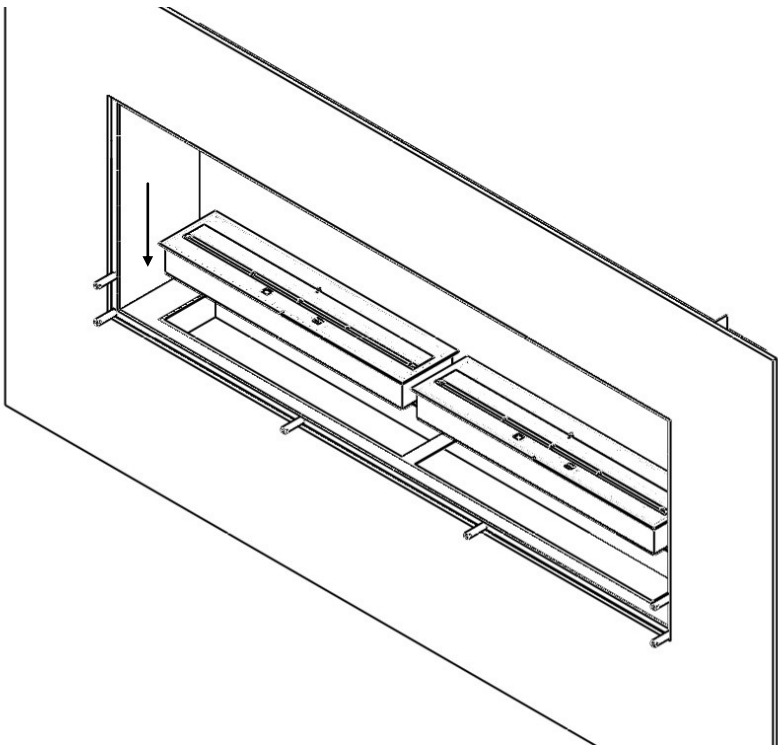
Your fireplace must be bolted to a structure previously built in order to make it stable and safe.

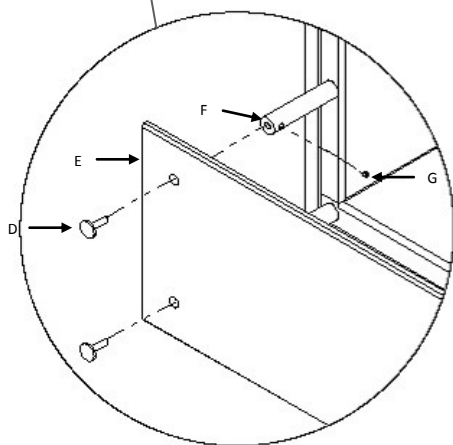
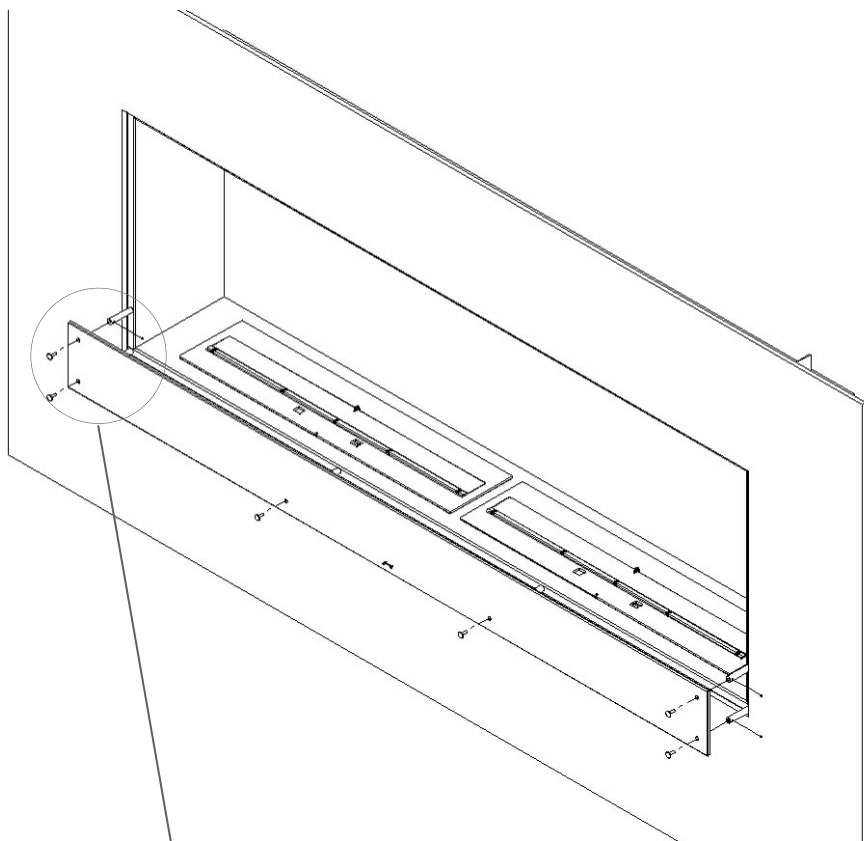




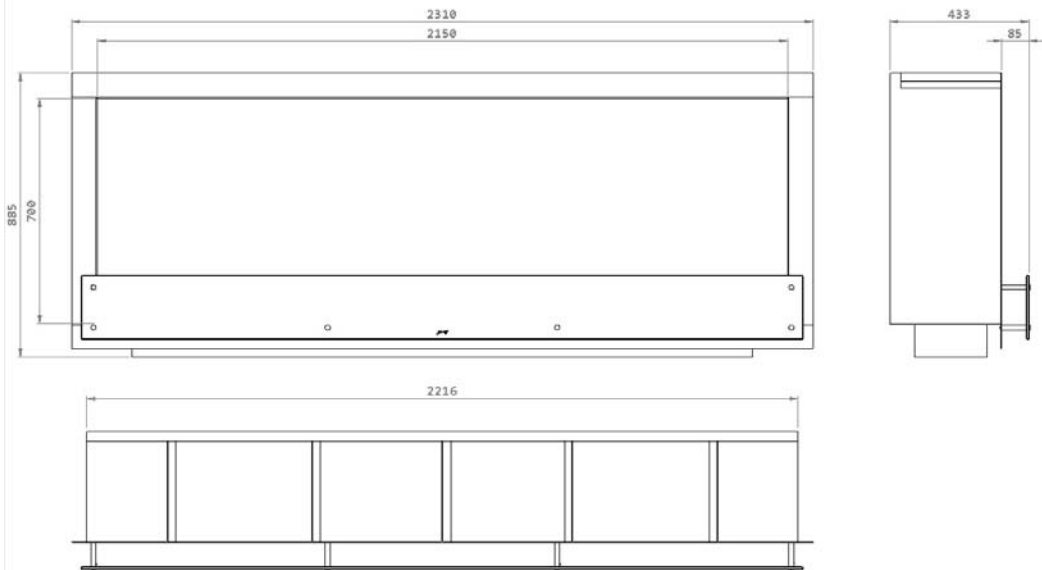
Take care not to install your fireplace near flammable materials.

To complete the installation of your fireplace put the burner and finish the application of glasses.





Place (D) in (F) and screw (G) in order to fix glass (E)  
 To screw (G), use the supplied key ( Hex Key) (H)



### **After-Sales Service**

In case of doubt or any anomaly, do not use the fireplace and please contact a specialized technician.

### **Guarantee**

3 years against manufacture defects ( the warranty do not include glasses).

<b>Equipment</b>	<b>Guarantee beneficiary</b>
<b>Version</b>	<b>Address</b>
<b>Controller</b>	<b>Tel.</b> <b>Availability date</b> <b>Local.....Date.....</b> <b>Signature</b>
<b>Series and Guarantee numbers</b>	
<b>Distributor code</b>	
<b>Name and Address of the Distributor</b>	

GlammFire fireplaces are manufactured under the strict Standard of the world recognized ISO 9001:2008 Quality Assurance Certificate.  
GlammFire products are designed with superior components and materials, assembled by trained craftsmen who take great pride in their work.  
Once assembled the complete fireplace is thoroughly inspected by a qualified technician before packaging to ensure that you, the customer, receive the quality product that you expect from GlammFire.



*glamm*<sup>®</sup>  
*fire*

Recuperadores Pachinha Lda.  
Zona Industrial da Lagoa, Lote G1  
4950-850 CORTES - MONÇÃO PORTUGAL  
Tel(+351) 251 654 800  
Fax(+351) 251 654 801  
info@glammfire.com  
www.glammfire.com

