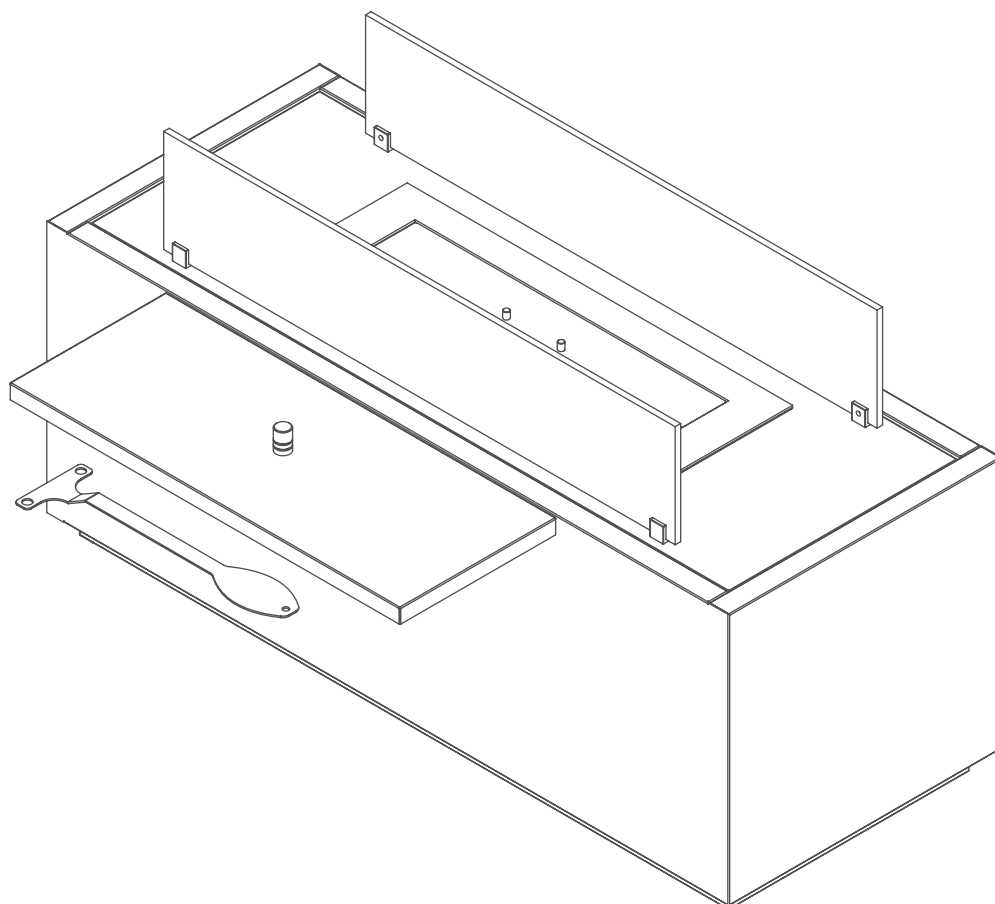


OWNER'S MANUAL

"GIGANOTO"

BIOETHANOL FIREPLACE



NOBLE FLAME

Thank you for choosing our Bioethanol fireplace.

Bioethanol fireplaces are the environmentally friendly solution to a real fire without the need of a flue or gas supply. It's suitable for homes without a chimney. All of our fireplaces are vent-less, smokeless and ash-less without a need of a chimney or gas supply. Our fireplaces are designed with stainless steel and/or black steel with modern concept. It can create a warm, peaceful and relaxing environment.

The Bioethanol fireplace is a fireplace which you can put anywhere in the house or in the apartment. People can enjoy a real fire without the need to install a chimney. As Bioethanol burns with virtually no residue, ventilation by means of an open window suffices in most cases involving a room of adequate size.

 WARNING

- > **Read and understand this entire owner's manual, including all safety information, before using this product. Store it in a safe place.**

 CAUTION

- > **Keep this owner's manual for future reference. If you sell or give this product away, make sure this manual accompanies it.**

IMPORTANT SAFETY INFORMATION!

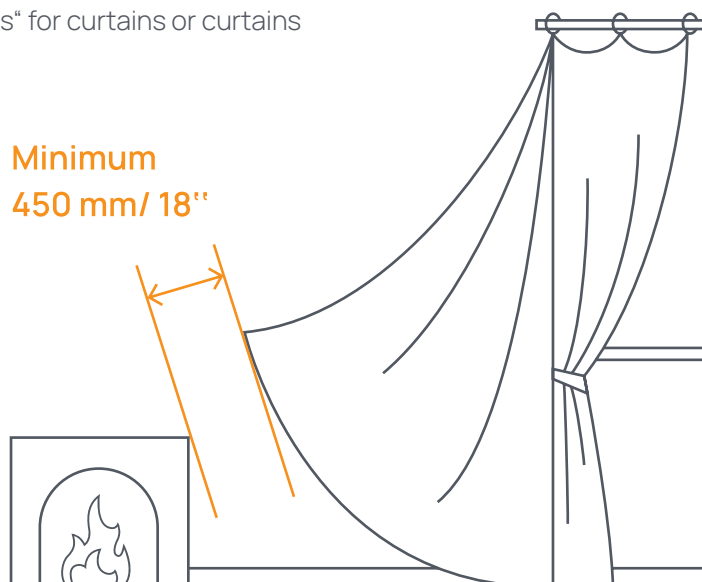
SAVE THESE INSTRUCTIONS!

⚠ WARNING

- > **Read all instructions before using this Bioethanol Fireplace!**
- > The Bio-fire will use oxygen from the air inside the room where it is operated. The rooms should be well ventilated with enough oxygen and fresh air being supplied (i.e. slightly open windows if room is not vented)..
- > When ventilated, the room where the fireplace is operated in should not be smaller than 44 m³ / 1550 cuft (with an average ceiling height of 2.30 m / 8 ft, the room should be at least 20 m² / 215 sqft).
- > It is not recommended to use more than one fireplace at a time in one room.

⚠ WARNING

- > **Never leave an open fire unattended!**
- > The fireplace must not be used in the immediate vicinity of window coverings, curtains or other freely hanging materials or fabrics. To ensure that your window coverings cannot touch the device, keep a minimum clearance of 1.5 m / 60". Take into account that light fabrics could be blown towards the fireplace by a gust of wind.
- > The use of „retention loops“ for curtains or curtains is strongly recommended.



- > Do not touch the fireplace while burning and operating. Please allow at least 30 minutes to cool down completely.
- > Never pour fuel into an open flame or into the burner reservoir unless it has cooled down for at least 30 minutes after use.
- > The fireplace is not suitable for heating purposes.
- > Do not store more than 5 liters of flammable liquids in your apartment.

IMPORTANT SAFETY INFORMATION!

SAVE THESE INSTRUCTIONS!

- › Keep the Bioethanol tanks tightly closed.
- › Keep the Bioethanol away from children and animals.
- › The burning reservoir and the Bioethanol must not be exposed to direct heat such as direct sunshine or central heating.
- › Do not place flammable materials within 1 meter / 40 inches around the fireplace. The fireplace should be at least 1 meter / 40 inches away from other objects or furniture made of flammable material.
- › Due to the heat of the fireplace, children and animals should stay away during and 30 minutes after using the fireplace
- › Make sure that the installation site has a fire-proof surface.
- › The table or floor on which the fireplace is placed must be able to support its weight.
- › We recommend that you have a fire blanket and / or a fire extinguisher nearby.
- › Do not smoke while working with the fuel.
- › Avoid drafts or movements that cause drafts in the room in which the fireplace is operated.
- › The fireplace must not be operated in the direct vicinity of an air conditioning or ventilation system.
- › The use of the fireplace is not recommended in rooms with constantly high humidity.
- › Please remember to fill the burner with the Bioethanol up to the maximum.
- › It is not allowed to touch the product until it has cooled down completely.
- › When using decorative ceramic wood or stones, it is essential to ensure that no decorative elements are directly in the flame. The decoration may only be placed around the burner slot and must consist of non-combustible material.



 CAUTION

 WARNING

- › **When replacing the decoration, make sure that it has cooled down.**
- › **Attention: During operation, the decoration material and the glass pane can reach a temperature of 90 ° - 140 ° C. The burner can reach temperatures up to 200°C.**
- › **Risk of burns!**
- › **Because the product and its components become hot during use and remain hot for some time after the fire has been extinguished.**

INSTALLATION AND ASSEMBLY

FREE STANDING FIREPLACE ASSEMBLY:

WARNING

- It is recommended to install the fireplace with **at least two people**. Make sure that the fireplace is placed on a **fire-proof surface**. Please remove all packaging and wrapping materials before assembly and commissioning.
- The free-standing fireplace is fully assembled and no further assembly is required.
- Make sure that the fireplace has sufficient stability. In addition, the fireplace must stand absolute straight. Measure this with a spirit level. Otherwise, ethanol may leak.
- Place the fireplace on a heat-resistant surface.
- Place the Bioethanol burner into the fireplace facade.

FILLING, LIGHTING AND REFILLING THE BURNER

- > Open the burner by pulling the slide.
- > Use a funnel for filling.

WARNING

- > **Use only 96,6% Bioethanol.**
When using higher percentage bioethanol, there is a risk of fire and damage to your fireplace.
- > Fill the burner with the Bioethanol up to the maximum.
- > Spilled ethanol must be removed with an absorbent tissue and the affected area cleaned with water to avoid ignition outside the burner container.
- > Long lighters or long matches are ideal when lighting Bioethanol. Otherwise, there is a risk of deflagration. Under no circumstances throw used matches into the burner.
- > If the flame does not ignite, please repeat the ignition process until the flame burns steadily.
- > After the flame has gone out, wait at least 30 minutes before restarting the fireplace. Otherwise, there is a risk of explosion.

CAUTION

WARNING

- > The flame glows slowly and small at first. It can take up to 15 minutes to reach the optimal temperature and flame height.
- > The fuel should be stored at **room temperature** to facilitate its ignition.
- > Fuel must be kept in safe distance (**min. 1 m / 40 inch**) to the fireplace. Do not place ethanol fuel in front of the fireplace. Please note that the ethanol sometimes burns bluish, difficult to see. So make sure the burner is always off and cold before adding ethanol.

WARNING

- > When lighting - always make sure that the fireplace is positioned on a heat-mat or ceramic tile, **not directly on a carpet!**

REFILLING:

CAUTION

CAUTION

WARNING

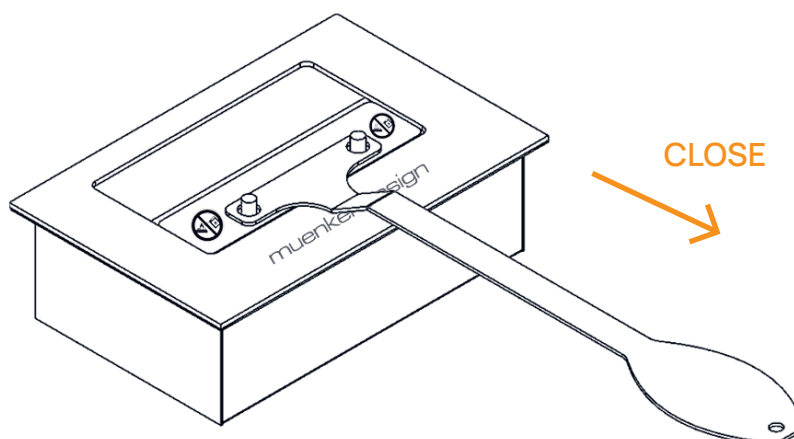
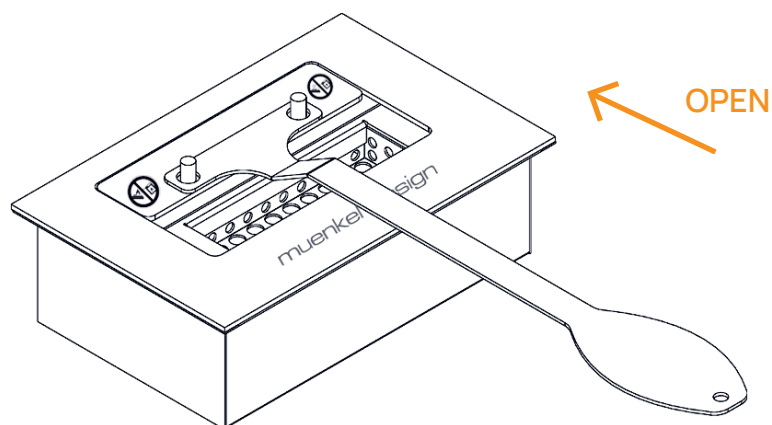
- > **Never pour fuel into the burning flame!**
- > Allow the burner to cool down for **at least 30 minutes** before refilling. To refill, follow instruction below.
- > **Do not refill the ethanol fuel while there is flame or heat in the burner.**



CLEAR

⚠ WARNING

- > **Never extinguish the flame with water!**
- > **Do not refill the bioethanol while the burner is still burning or hot.**
- > If possible, let the fuel burn out completely. This prevents alcohol from remaining in
- > If you want to extinguish the flame before the fuel is completely used up, use the extinguishing aid provided to close the burner opening. Wait approximately 30 minutes until the burner has reached room temperature. Only then dispose of the remaining fuel.
- > Use only the extinguishing aid supplied with this device. Never use a wooden or plastic tool and never your bare hands.
- > The valve must always be fully open during operation so that no pressure can build up inside the burner.
- > To extinguish the fire, quickly pull the slide to the front of the burner. If the fire is not extinguished, open the slider again and repeat the extinguishing process.



THE BURNER

WARNINGS FOR BURNERS

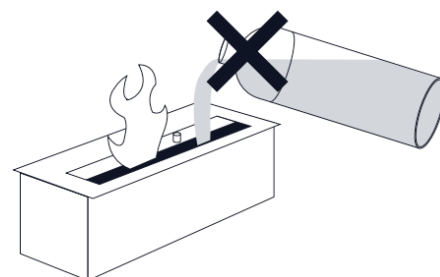
⚠ WARNING



- > **The fire will burn approximately 4 or more hours (depends on the fuel and burner capacity). The removable burner is located in the fireplace. Precautions should be taken when moving the unit. Always check combustible leak before lighting the unit.**
- > Do not touch the hot surface!
- > Do not refill while burning as major injury might occur.
- > Use the extinguishing aid supplied to close the flame never use a timber or plastic tool and never use your bare hands. Pulling the plate towards the front of the burner will reduce the flame height as well as the heat output.
- > Bioethanol next to the burner can cause unexpected flames. Do not refill the burner until it has completely cooled down at least 30 minutes.
- > Do not store any flammable goods close to the burner.
- > Do not smoke while handling the fuel.
- > Please remember to fill the burner with the Bioethanol up to the maximum.
- > Do not use gasoline or any other fuels other than Bioethanol.
- > Operate with a window open allowing sufficient ventilation.
- > Try not to leave unburned fuel in burner, use up fully and refuel prior to next use.
- > Do not leave children and animals unattended.

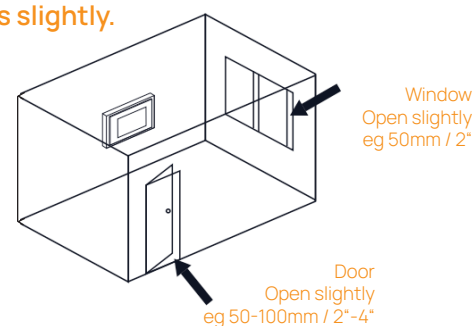
⚠ WARNING

- > **Never fill the burner while it is operating!**



⚠ WARNING

- > **Ventilate room by opening windows or doors slightly.**



CARE, MAINTENANCE & TROUBLESHOOTING

- › Discoloration may form on the top of the burner after use. This is normal and not a reason for complaint.
- › The fireplace facade must be cleaned regularly. Use warm water and a gentle detergent.
- › Stains can best be removed with a soft cloth and a mixture of lukewarm water and a small amount of cleaning liquid (pH neutral). Dust can be removed with a dry cloth.
- › Please use a special sand-free stainless steel cleaner for the stainless steel surfaces.
- › Never use chemicals, steel wool or sponges. This can scratch the surface. The manufacturer cannot be held responsible for damage caused by incorrect use and / or cleaning of the product.

TROUBLESHOOTING:

WARNING

ERROR	POSSIBLE CAUSE	SOLUTION
Soot information	Wrong fuel (e.g. gel)	Use only 96,6% Bioethanol
Soot information	Burner slot covered by objects	Expose the burner opening and place the decoration only around the burner slot.
Burn time too short	Wrong fuel (e.g. gel)	Use only 96,6% Bioethanol
Burn time too short	Burner is not completely filled.	Extinguish the burner, refill after 30 minutes of cooling.
Flames too high	Wrong fuel (e.g. gel)	Use only 96,6% Bioethanol
Flame does not go out when the slide is closed	Can happen with larger burners because the ethanol vapor seeks a way through every small opening.	Repeat the closing process several times and faster to interrupt the oxygen supply.

WARRANTY

Your Bioethanol burner has a two year warranty against manufacturing defect, beginning at the date of purchase. In case of a problem, contact the store that sold it to you.

The warranty will be voided if the fireplace was misused or used for other purposes than what they were built for. The warranty will also be voided in case of deterioration or accident that occur following neglect, bad supervision or form altered parts.

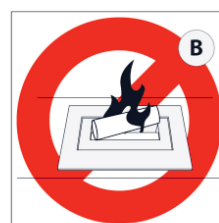
WARNING NOTICES

⚠ WARNING

A No ethanol on the flame



B Do not obstruct the flame



C Do not create an air current



D Do not fan the flame



E Do not approach or touch



F Take care with flammable objects



G Keep a means of extinguishing within reach



H Risk of fire, fuel



I Harmful



J Do not smoke when filling

