

# Installation Guide and User Manual

## decoflame® custom-made Bioethanol Fireplaces Montreal & Orlando

English



**It is imperative that you read this manual before using the fireplace**  
**Keep the manual in a safe place for future reference**

# English

## Installation and User Guide for custom-made decoflame® Bioethanol Fireplaces

Issue January 2013

Congratulations on your new decoflame® bioethanol fireplace

***IT IS IMPORTANT THAT YOU READ THE ENTIRE INSTALLATION AND OPERATING INSTRUCTIONS AND ADHERE TO THE SAFETY MEASURES DESCRIBED HEREIN – DECOFLAME CANNOT BE HELD RESPONSIBLE FOR ANY DAMAGED CAUSED AS A RESULT OF NON-ADHERANCE TO THESE INSTRUCTIONS***

***PLEASE KEEP THE PACKAGING OF THE FIREPLACE IN CASE IT NEEDS SENDING TO THE FACTORY FOR SOME REASON IN THE FUTURE***

---

### **TABLE OF CONTENT**

SAFETY .....	2
POSITIONING .....	3
MAINTENANCE .....	4
INSTALLATION .....	4
OPERATING INSTRUCTIONS .....	7
QUESTIONS AND ANSWERS .....	7

---

### **SAFETY**

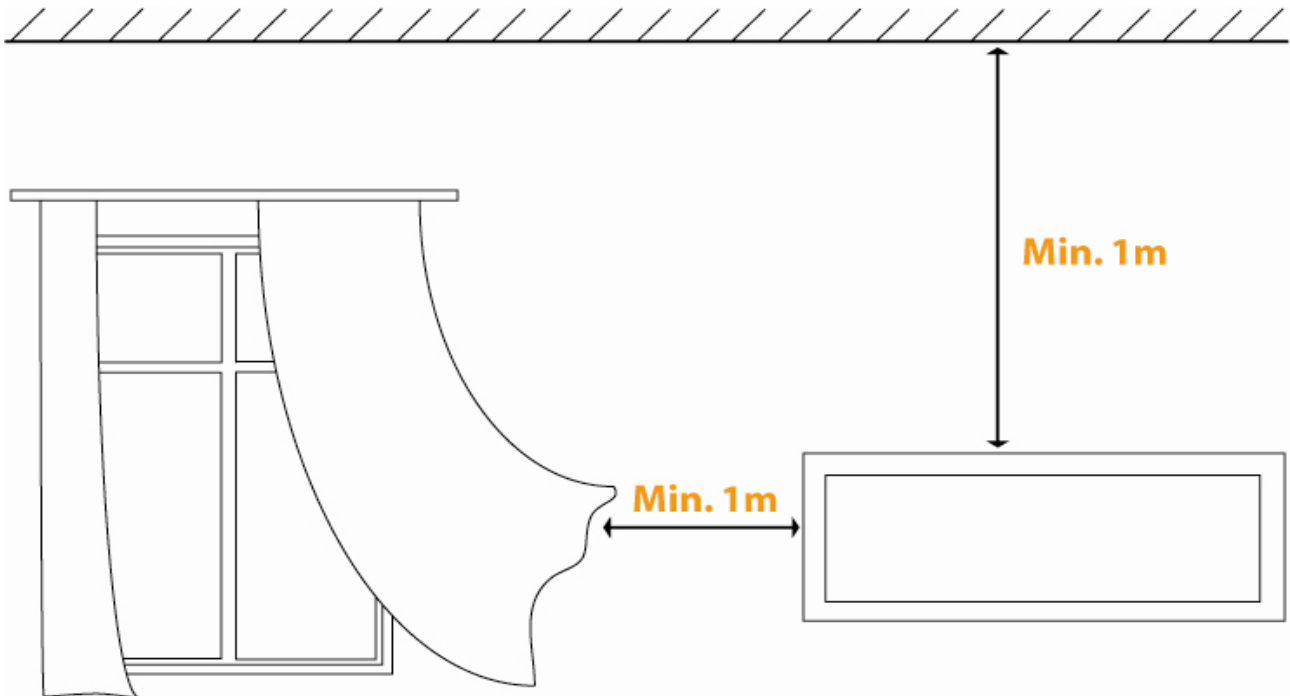
Naturally, safety is imperative dealing with open fire. All decoflame® fireplaces are designed, manufactured and quality-tested in Denmark with highest product safety and user-friendliness in mind. Our fireplaces feature a unique and design-protected decoflame® burner which is thoroughly tested and its closing mechanism manually adjusted prior to leaving the production line. The layout of your decoflame® fireplace must not be changed, and all parts included in the scope of delivery must be used as shown in the personalised technical drawing for this fireplace application.

Please strictly adhere at all times to all safety measures described in this manual.

## POSITIONING

Make sure that you install your fireplace in a safe place, which means with a distance of at least one metre (40 in) from furniture, curtains or other inflammable objects. Also, chose a position for your fireplace which is not exposed to any draught, as bioethanol is a volatile fluid. In fact, only the vapour of the bioethanol is burning when lit. You should not touch the flames of the lit fireplace or blow into the flames, as this will cause the flames to escape from the fireplace and they will become uncontrollable. You should also keep a distance of at least 30 cm (12 in) moving past the fireplace, as your movement may have an impact on the flames.

**NB – We do not recommend to position TV screens or valuable paintings above the fireplace as the upwards drifting warm air might damage those. If you intend to do so anyway, please contact Decoflame for advice.**



Make sure that the wall cut-out and supports left and right below the base of your custom-made fireplace are perfectly in level, and all corners of the cut-out are in a perfect 90 degree angle. For base-plate installations only, please ensure that the distance between the burner and any non-flammable material above the flames is at least 500mm.

**If in doubt, please contact Decoflame.**

If your custom made bioethanol fireplace is installed in a room with a wooden ceiling, you must ensure that the distance between the top of the fireplace and the ceiling is at least 1 metre (40 in). It is important that the fireplace is installed perfectly in level. When choosing a suitable height as position for your fireplace please also consider keeping it out of reach of smaller children and pets.

When lit, the surfaces of the upper part of the fireplace and any glass screens will be warm.

**Do you have children or pets in the home? If so, make sure an adult keeps an eye on them at all times during operation of your fireplace and never leave your fireplace unattended when it is lit.**

## MAINTENANCE

Any glass components of your decoflame® fireplace are made of tempered heat-resistant glass. Those glass parts as well as any metal parts which are exposed to the heat of the fire might slightly change colour or structure. This is to be considered normal wear and tear and does not constitute a product flaw or fault.

DecoFlame recommends that you clean all parts of your fireplace frequently with a lint-free cloth or kitchen paper towel and a non-abrasive detergent, some bioethanol or another alcohol-based product. Alternatively you can use little sponge that you find packaged together with your standard burner/s in order to brush up the surface of your burner. For polished steel surfaces, only use a soft and clean cloth as the surfaces will easily be scratched by paper towels.

## INSTALLATION

**Please refer and adhere to the detailed installation guide on your technical drawing which has been generated for your specific custom-made decoflame® fireplace. You will find all dimensions and step-by-step installation instructions there. It is advisable to install your decoflame® fireplace only once all decoration work in the room has been finished.**

**If your decoflame® fireplace came with glass screens, you must fit them and operate the fireplace exclusively with fitted glass screens.**

According to **SP Technical Research Institute of Sweden**, walls surrounding the built-in bioethanol fireplace must be covered with non-inflammable materials like fibre plaster boards (e.g. Fermacell, GypRock Fireline) or bricks. We recommend that you adhere to these regulations set by SP.

The supports for securing the fireplace must be made of sturdy non-inflammable materials like metal, concrete or brick. The supports must be perfectly in level.

If you have the slightest doubt of how to install the fireplace and which screws to use for your type of wall, you should contact a skilled craftsman who is able to carry out the installation correctly.

When installing your decoflame® built-in fireplace you will need:

Power drill/Screwdriver

Drill/bit (suitable for the type of material to which you wish to fix the top and bottom plates of your fireplace)

Spirit level

Tape measure

Screws (at least  $\varnothing$  5mm, suitable for the type of wall)

Wall plugs or expansion bolts (suitable for the type of wall)

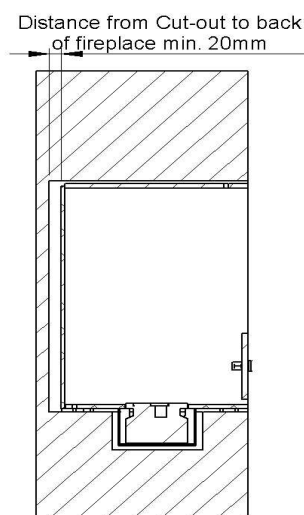
### General Installation Guidelines "Single Sided Custom-made Fireplace"

The wall cut-out is made at least 20mm deeper than the depth of the fireplace to ensure sufficient air flow and cooling of the fireplace (see 7.1). Furthermore, it is essential to maintain a 5mm gap all the way around the fireplace (Cut-out = Fireplace Dimensions + 10mm) **This gap must not be sealed.**

As the edges of the cut-out remain visible it is important that they are done to the highest possible finish. All four corners of the cut out must have exactly a 90 degree angle.

### Plasterboard walls – Stud-walls

4



All surfaces inside the wall cut-out are to be covered with fibre plaster sheets or other non-inflammable materials.

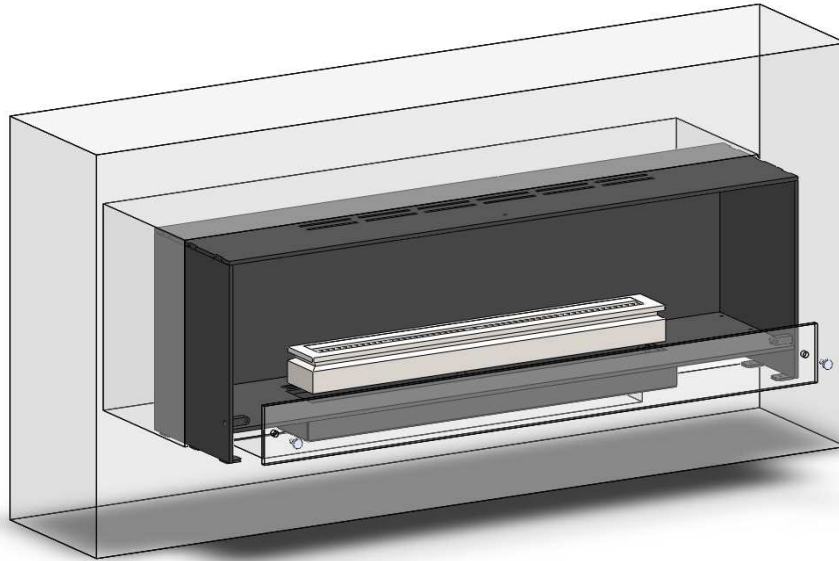
7.1

This is merely a precaution as normal plasterboard might change its characteristics over time when exposed to heat.

### Stone/Brick walls

The cut-out is made according to the attached drawing.

The wall itself is non-inflammable which makes it safe to install a bioethanol fireplace directly in the cut-out.



7.2

### Exploded view showing the installation process (see 7.2)

1. The body of the fireplace (consisting of top, back and sides) is positioned onto the supports left and right below and centred within the wall cut-out. Use the enclosed screws (inserting them through the holes in the top) to secure it in place allowing for a perfect 5mm gap all the way along the top and sides. Make sure that the edges of the fireplace are kept flush with the edges of the wall cut-out.

2. The bottom of the fireplace is lowered into the recess within the wall and is placed onto the lips protruding from the bottom of the sides. Insert the enclosed screws through the holes in the bottom plate and the holes in the lips at the bottom of the sides (if necessary using plugs suitable for the material which has been used to create the supports) and fix both the body and the bottom plate of the fireplace to the supports.

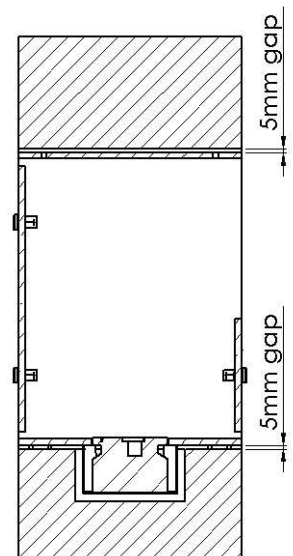
3. The burner is placed in the safety chamber and the sliding lid is placed on top of the burner.

3.1 **Orlando Only.** Secure the frame using the included screws from the inside.

4. **Optional Glass.** Carefully secure the glass with the 2 included finger screws. Remember rubber seals between screw and glass.

### General Installation Guidelines “Bifocal Custom-made Fireplace”

It is essential to maintain a 5mm gap all the way around the fireplace (Cut-out = Fireplace Dimensions + 10mm) **This gap must not be sealed** (see 8.1).



As the edges of the cut-out remain visible it is important that they are done to the highest possible finish. All four corners of the cut out must have exactly a 90 degree angle.

### Plasterboard walls – Stud-walls

8.1

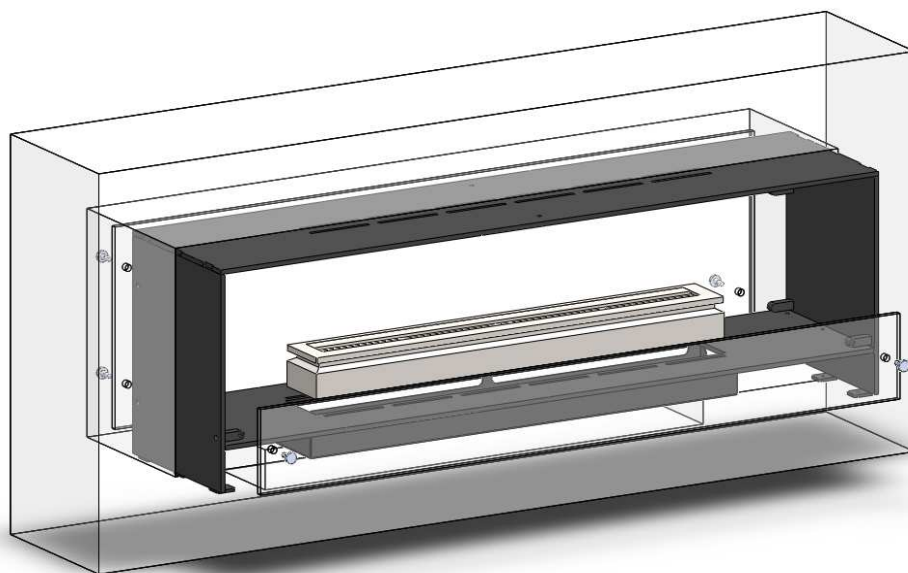
All surfaces inside the wall cut-out are to be covered with fibre plaster sheets or other non-inflammable materials.

This is merely a precaution as normal plasterboard might change its characteristics over time when exposed to heat.

### Stone/Brick walls

The cut-out is made according to the attached drawing.

The wall itself is non-inflammable which makes it safe to install a bioethanol fireplace directly in the cut-out.



8.2

### ***Exploded view showing the installation process (see 8.2)***

1. The body of the fireplace (consisting of top and sides) is positioned onto the supports left and right below and centred within the wall cut-out. Use the enclosed screws (inserting them through the holes in the top) to secure it in place allowing for a perfect 5mm gap all the way along the top and sides both to the front and back. Make sure that the edges of the fireplace are kept flush with the edges of the wall cut-out.
2. The bottom of the fireplace is lowered into the recess within the wall and is placed onto the lips protruding from the bottom of the sides. Insert the enclosed screws through the holes in the bottom plate and the holes in the lips at the bottom of the sides (if necessary using plugs suitable for the material which has been used to create the supports) and fix both the body and the bottom plate of the fireplace to the supports. Make sure that the edges of the fireplace are kept flush with the edges of the wall cut-out. Make sure
3. The burner is placed in the safety chamber and the sliding lid is placed on top of the burner.

**3.1 Orlando Only.** Secure the frame using the included screws from the inside.

**4. Optional Glass.** Carefully secure the glass with the 2 included finger screws.

*Remember rubber seals between screw and glass.*

## **OPERATING INSTRUCTIONS**

**ALWAYS light and extinguish your decoflame® fireplace in a safe manner. Only adults may light and extinguish the flames.**

All decoflame® bioethanol fireplaces are designed and manufactured exclusively for use with bioethanol of highest purity (96%). **DO NOT** use any other fuel or materials or bioethanol of inferior quality as this will void your warranty.

1. Purchase the bioethanol in a specialist shop or on [www.decoflame.com](http://www.decoflame.com) for easy home delivery (available only in selected countries).
2. Open a bottle of bioethanol and fill the fuel into the burner opening up to the max. level indicator. You can use a funnel in order to avoid spilling. **DO NOT** overfill the burner! **DO NOT** light the burner in case you should have overfilled in accidentally (see Answers and Questions item 6).
3. Use a paper kitchen towel in order to wipe off any access bioethanol from the burner and surrounding surfaces. Then, wash your hands thoroughly **BEFORE** lighting the bioethanol vapours.
4. Use a long fireplace match or a fireplace lighter to light the vapours.
5. Keep an appropriate distance when lighting the fireplace.
6. **DO NOT** smoke when filling the burner with bioethanol.
7. **DO NOT** – under any circumstances – refill the burner when it is in use or still hot from previous use.
8. If you wish to extinguish the fire before the burner is empty, please **ONLY** use the following method: place the two studs at the end of the handle in the two holes in the middle of the sliding lid and pull the slider gently but continuously towards you until the burner opening is completely closed.
9. Ideally, you allow *all* of the bioethanol in the burner to be burnt. Should you extinguish the fire at a time when there is still bioethanol left in the burner, it is recommended that you wait until it is cooled down (takes around 15 – 20 minutes) and then fill up the burner once again as described under item 2. above before lighting it.
10. The bioethanol must be stored safely and out of reach of children.
11. **DO NOT** cover the front of the fireplace. **DO NOT** place any inflammable materials or clothes in front of the fireplace. **DO NOT** place any pebbles or stones on the burner as these will crack and might cause injury or damage to the fireplace. **DO NOT** place any ceramic pebbles, driftwood or logs on or around the burner as this will not only obstruct ventilation openings but also trap the heat underneath the base plate of your fireplace.
12. Ensure that the room in which the fireplace is situated is well ventilated at all times during operation of your fireplace without causing any draught.
13. Any glass and metal parts of your fireplace can become hot during use. Avoid contact with those parts to avoid burning.
14. **DO NOT** mix bioethanol with other fuels.
15. Always thoroughly follow the instructions on the packaging of the bioethanol.
16. Bioethanol is extremely flammable.
17. Avoid contact with eyes and skin.
18. We recommend that people with breathing problems or asthma consult their doctor prior to using a bioethanol fireplace.
19. Avoid draughts, as this can cause soot formation (smut).

## **QUESTIONS AND ANSWERS**

### **1. Where can I position the bioethanol fireplace?**

You may position the fireplace anywhere, as no chimney or flue is required. For example, you could place it in your flat, house, holiday home – or in your office. Read the “Positioning” chapter for more details regarding this subject.

### **2. Is any kind of approval required?**

Regulations and laws might vary though from country to country. Make sure you observe these regulations and laws before you use the fireplace.

### **3. What to consider when installing your decoflame® fireplace?**

Decoflame recommends that the wall cut-out is covered (or – in case of a stud-wall – created) with fire resistant boards like Fermacell, GypRock Fireline or another **non**-inflammable material. Furthermore, it is important that the fireplace can “breathe”. This means that the ventilation slots in the top and bottom plate must not be obstructed as well as the 5mm gap all the way around the fireplace must not be sealed. Please refer to the enclosed drawing which describes the construction of the wall cut-out as well as the installation process.

### **4. Is the fireplace ready for use after unpacking?**

Yes, once it is fitted safely in accordance with the attached drawing and the instructions given herein, the only thing you need to add is bioethanol.

### **5. What is the best way to light the fireplace?**

Use long fireplace matches or fireplace lighters.

### **6. What should I do if I overfilled the burner?**

Inside the burner/s you will notice a min. and max. level indicator. Always fill the burner to the max. level indicator. Should you accidentally overfill the burner, the excess bioethanol will be caught in the safety chamber underneath the burner. **DO NOT** light the fireplace! Remove the burner from out of the safety chamber by reaching with your fingers inside the burner in order to get hold of it (it is advisable to wear rubber gloves). Empty part of the contents of the burner into a bucket (you can dispose of the bioethanol in your kitchen sink – it is only alcohol). Use kitchen paper in order to dry the contents of the safety chamber completely. Reposition the burner, place the lid on top. Once your hands are clean and dry, use a long lighter or match to light the fire.

### **7. Is bioethanol dangerous?**

No, bioethanol is neither dangerous to humans nor the environment and it is biodegradable. Bioethanol is made of organic, sustainable and environmental-friendly raw materials such as corn, potatoes and sugar cane. During combustion, water vapour and carbon dioxide are created, which can even be beneficial to your indoor plants. Make sure that you keep the fuel in a safe place out of reach of children, as it is highly flammable.

### **8. Is it dangerous to inhale the gas that is developed during combustion?**

When burning, bioethanol is dissolved into nothing else but water vapour and CO<sub>2</sub> (carbon dioxide). The amount of CO<sub>2</sub> which is released corresponds to the one of 2 stearine candles of medium size. As the combustion temperature of your bioethanol fireplace lies below 400°C, no other harmful substances are released during combustion. Always make sure that the room in which the fireplace is situated is well ventilated (without causing a draught) in order to ensure a sufficiently high level of oxygen during operation of the fireplace – as fire consumes oxygen. Always consult your doctor prior to using a bioethanol fireplace in case you have problems with your respiratory system (asthma etc).

### **9. In which quantities is bioethanol supplied?**

decoflame® bioethanol is supplied in plastic containers of 1 to 4 litres. In order to facilitate filling of the burner you should fill a smaller container with bioethanol and use a funnel for pouring the liquid into the burner.

### **10. What is the burning duration of one litre of bioethanol?**

Between 2-4 hours, depending on the size of the burner/s, the room ventilation and setting of the flame intensity.

### **11. Does the fireplace give off much heat when in use?**

The heat efficiency of the decoflame® burners varies between 2-7.2 kW/h. However, our fireplaces are designed mainly for decorative purposes - they should only be considered as *supplement* to any primary heating system.

### **12. Can paper and wood be used as fuels on the decoflame® fireplace?**

No, you may *only* use bioethanol of at least 96% purity in the burner.



**13. How can the flame be extinguished when the fireplace is lit?**

Ideally, you allow *all* of the bioethanol in the burner to be burnt. Should you extinguish the fire at a time when there is still bioethanol left in the burner, please **ONLY** use the following method: place the two studs at the end of the handle in the two holes in the middle of the sliding lid and pull the slider gently but continuously towards you until the burner opening is closed.

**14. Can the fireplace be used in a room of any size?**

Generally the relation between heat efficiency and minimum room volume can be set to 1:20. This means that a 2kW/h fireplace requires a minimum 40m<sup>3</sup> room volume.



# decoflame<sup>®</sup>

*burning inspiration*

For more info please visit [www.decoflame.com](http://www.decoflame.com)

or contact Decoflame at [info@decoflame.dk](mailto:info@decoflame.dk)