

COMET BURNER WITH BEV[®] BURNER

Net Zero fireplace with BEV Technology[®]



AUTOMATIC BEV[®] BURNER

The BEV Technology[®] guarantees burning that is free of smoke, odor, or ash. This technology creates a flame by burning ethanol vapors, ensuring that the fire has no direct contact with the liquid fuel.



REMOTE CONTROL

Easily control your fireplace with the handy remote. You're in charge of the flames. Go for one of 6 flame levels to adjust the ambience and coziness to your needs.



STAR-SHAPED BURNER

A round fireplace with a star-shaped burner offers a mesmerizing and artistic fire display, transforming any space into a visually stunning and inviting atmosphere.



MOBILE APP

A fireplace controlled by an app offers the convenience of adjusting flame settings and ambience remotely, enhancing comfort and ease of use.



AUTOMATIC REFILLING

The automatic pump communicates with the device, delivering the necessary amount of fuel. There is no risk of overfilling the tank or spilling the fuel.



TOUCH CONTROL PANEL

Experience the ultimate convenience with the LCD touch control panel. Easily adjust the fireplace settings, check fuel levels, or set a shut-off timer. Additionally, the child lock feature ensures safety for the youngest users.

Comet Burner

(BEV Technology®)

Fuel tank capacity	9.0 L 2.38 gal
Maximum burn time	11 hours
Maximum heat output	10.9 kW 37 190 BTUs/h
Minimum room cubature	109 m ³ 3850 ft ³
Flame height regulation	6 stages
Fuel type	bioethanol 95 - 96,6%
Flue	not required
Air change rate	1 space volume per hour
Power supply	230 V
Finish	black powder coating
Materials	steel, galvanized steel, glass
Application	for indoor use only

CONTROL OPTIONS



included



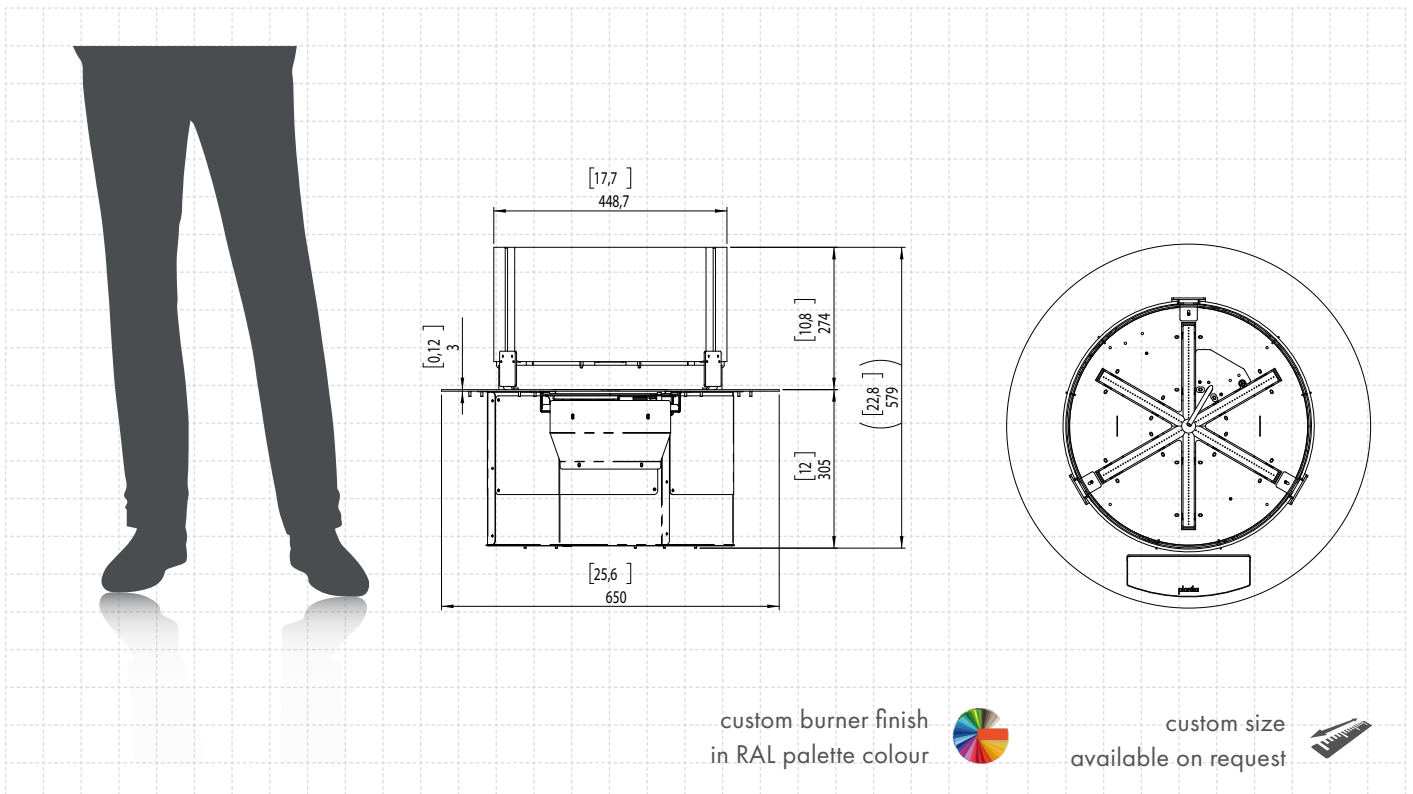
included



optional

'PLANIKA BEV' APP

Control the fire with your smartphone!



custom burner finish
in RAL palette colour



custom size
available on request

