

GlammFire

# Burner 1

 **Fire Wonderland**

Material//

Burner 1 / stainless steel



Made of stainless steel, with a flame regulator and an overflow security system for better functioning.  
According to our tests, in the medium position, it provides 6 hours of heat with only 2 litres of bioethanol.

**Dimensions**// 93 h x Ø292 mm

**Weight**// 4,4 kg

**Accessories**// Key, Lighter, Funnel, Container/measuring jug, CO detector

**Optional Accessories** // Decorative ceramic wood, Decorative white marble stone, Bioethanol Jug (5 litres)

**Packing Dimensions**// 300 h x 600 w x 400 d mm

**Total Weight**// 6,94 kg

1 Kg/ Decorative ceramic wood

3 Kg/ Decorative white marble stone

4,3 Kg/ Bioethanol Jug (5 litres)

2 litres (liquid bioethanol)

**Power**// 2,70 kW

**Burning time**// Position min. 2 litres/ 6h

Position max. 2 litres/ 4h

**GlammFire**

Recuperadores Pachinha Lda.  
Zona Industrial da Lagoa, Lote G1  
4950-850 CORTES - MONÇÃO  
PORTUGAL

Tel(+351) 251 654 800  
Fax(+351) 251 654 801  
info@glammfire.com  
www.glammfire.com

/CO detector included

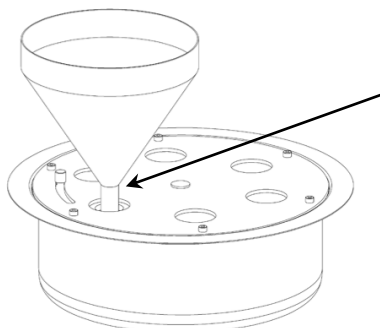
Fireplace with mechanical burner in accordance with German Norm DIN 4734

*glamm*<sup>®</sup>  
fire

GlammFire

# Burner 1

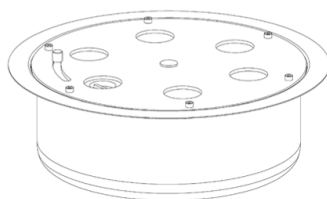
## Fuel Filling



To filling the burner you have to push down the feeder. Then you have a small opening to put bioethanol. When you finish the process let it go and the feeder closed.

This system is completely safety because only allows insert fuel when the flame goes off.

## Light / Off



## Regulation flame

After the filling you must open the cover and fan the flame with the light or with the key (moisten the key in the bioethanol and fan the fire with the lighter). To turn off the burner move the cover with the help of the key.

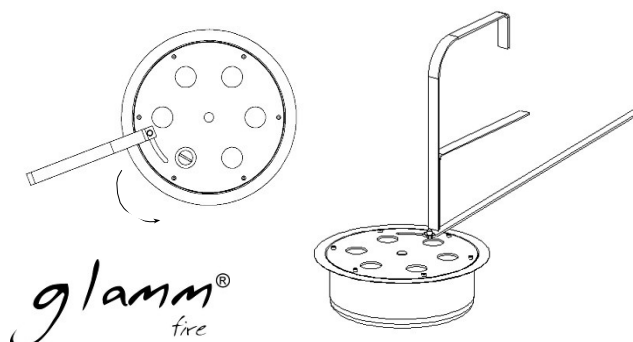
### ADVICES:

If the flame doesn't erase at first time, repeat the process but with more energy. It is advisable to leave the cover ajar to avoid the condensation of gases released.

## GlammFire

Recuperadores Pachinha Lda.  
Zona Industrial da Lagoa, Lote G1  
4950-850 CORTES - MONÇÃO  
PORTUGAL

Tel(+351) 251 654 800  
Fax(+351) 251 654 801  
info@glammfire.com  
www.glammfire.com



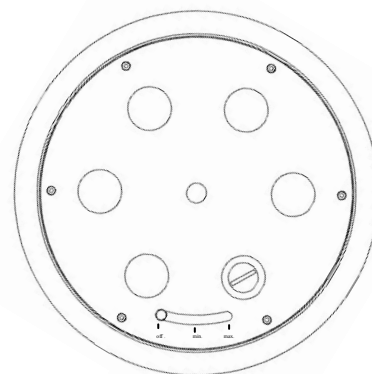
To regulate the flame of your burner you must with the help of the key move to the desired position.

GlammFire

# Burner 1

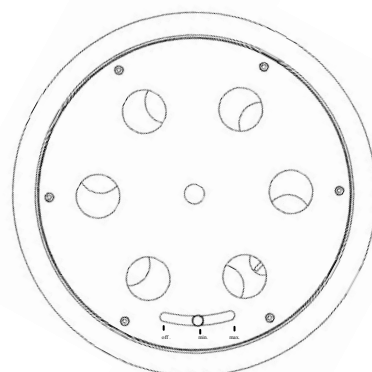
## 1 – Off position

Off burner;



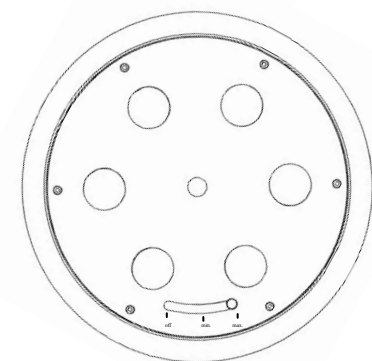
## 2 – Min. Position

In that position it provides 6 hours of heat with only 2 litres of bioethanol;



## 3 – Max. position

High consumption. In that position it provides 4 hours of heat with 2 litres of bioethanol.



## GlammFire

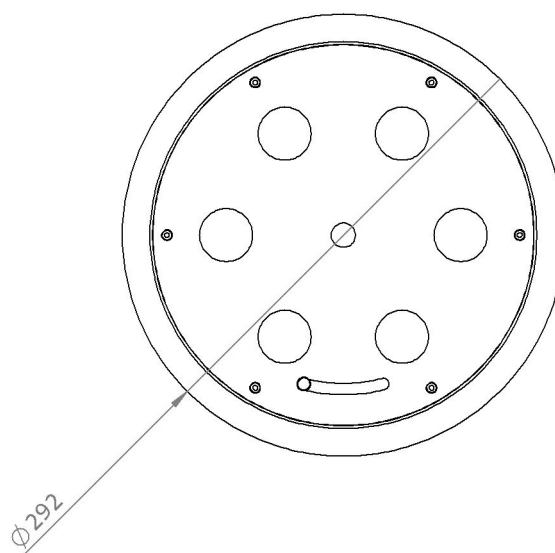
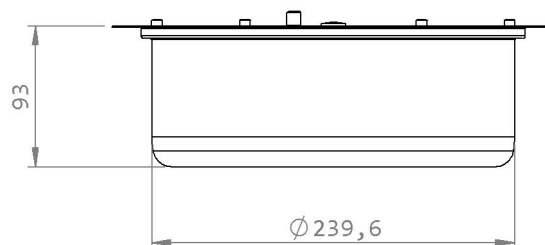
Recuperadores Pachinha Lda.  
Zona Industrial da Lagoa, Lote G1  
4950-850 CORTES – MONÇÃO  
PORTUGAL

Tel(+351) 251 654 800  
Fax(+351) 251 654 801  
info@glammfire.com  
www.glammfire.com

*glamm*<sup>®</sup>  
fire

GlammFire

# Burner 1



## GlammFire

Recuperadores Pachinha Lda.  
Zona Industrial da Lagoa, Lote G1  
4950-850 CORTES - MONÇÃO  
PORTUGAL

Tel(+351) 251 654 800  
Fax(+351) 251 654 801  
info@glammfire.com  
www.glammfire.com

*glamm*<sup>®</sup>  
fire

PT02843-A