

GlammFire

Burner 3

**Fire Wonderland**

Material//

Burner 3 / stainless steel



Made of stainless steel, with a flame regulator and an overfill security system for better functioning.
According to our tests, in the medium position, it provides 6 hours of heat with only 2 litres of bioethanol.

Dimensions// 89 h x 487 w x 227 d mm

Weight// 10,58 kg

Accessories// Key, Lighter, Funnel, Container/measuring jug, CO detector

Optional Accessories // Decorative ceramic wood, Decorative white marble stone, Bioethanol Jug (5 litres)

Packing Dimensions// 300 h x 600 w x 400 d mm

Total Weight// 13 kg

1 Kg/ Decorative ceramic wood

3 Kg/ Decorative white marble stone

4,3 Kg/ Bioethanol Jug (5 litres)

3 litres (liquid bioethanol)

Power// 4,50 kW

Burning time// Position min. 3 litres/ 8,5h

Position med. 3 litres/ 6,5h

Position max. 3 litres/ 5h

GlammFire

Recuperadores Pachinha Lda.
Zona Industrial da Lagoa, Lote G1
4950-850 CORTES - MONÇÃO
PORTUGAL

Tel(+351) 251 654 800
Fax(+351) 251 654 801
info@glammfire.com
www.glammfire.com

/CO detector included

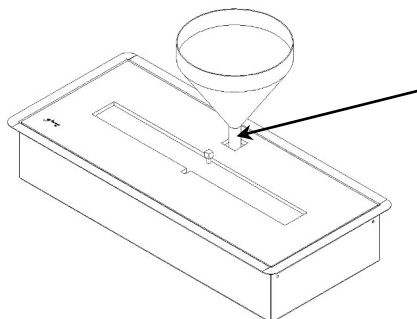
Fireplace with mechanical burner in accordance with German Norm DIN 4734

glamm[®]
fire

GlammFire

Burner 3

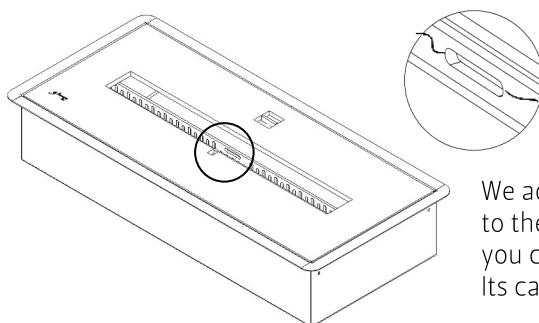
Fuel Filling



To filling the burner you have to push down the feeder.
Then you have a small opening to put bioethanol.
When you finish the process let it go and the feeder closed.

This system is completely safety because only allows insert fuel when the flame goes off.

Advisable maximum filling



We advise to all users to fill the burner only to the central mark of the safety bars(like you can see in the picture)
Its capacity is define to support 3 litres.

Light/Off

After the filling you must open the cover and fan the flame with the light or with the key (moisten the key in the bioethanol and fan the fire with the lighter). To turn off the burner move the cover with the help of the key.

ADVICES:

If the flame doesn't erase at first time, repeat the process but with more energy.
It is advisable to leave the lid ajar to avoid the condensation of gases released.

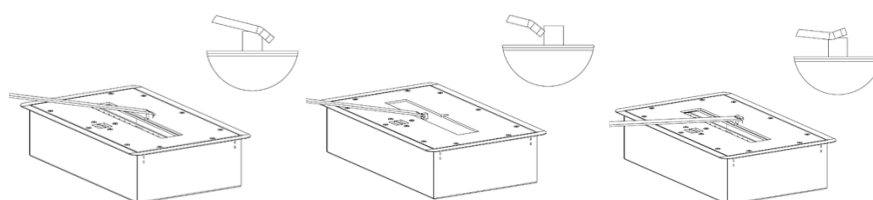


GlammFire

Recuperadores Pachinha Lda.
Zona Industrial da Lagoa, Lote G1
4950-850 CORTES - MONÇÃO
PORTUGAL

Tel(+351) 251 654 800
Fax(+351) 251 654 801
info@glammfire.com
www.glammfire.com

Flame adjustment – To adjust the flame as you want, you have to move with the key the burner door to the wanted position.



glamm[®]
fire

GlammFire

Burner 3

1- Off position

Off burner



2 - Min. position

Reduced consumption. In the minimum position it provides 8,5 hours of heat with only 3 litres of bioethanol.



3 - Med. Position

In the medium position it provides 6,5 hours of heat with only 3 litres of bioethanol.



4 - Max position

High consumption. In the maximum position it provides 5 hours of heat with 3 litres of bioethanol.



GlammFire

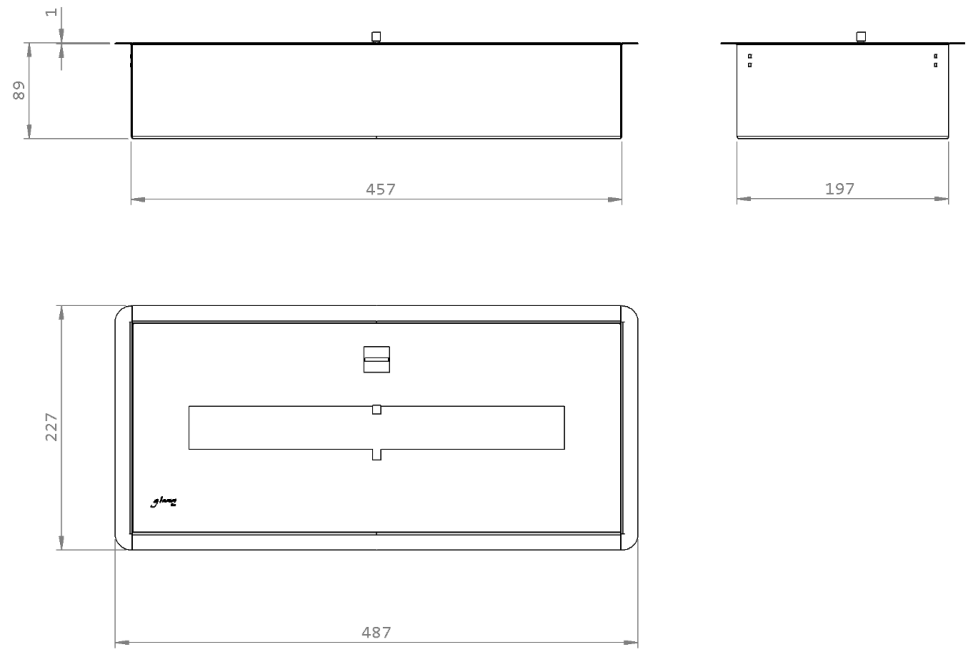
Recuperadores Pachinha Lda.
Zona Industrial da Lagoa, Lote G1
4950-850 CORTES - MONÇÃO
PORTUGAL

Tel(+351) 251 654 800
Fax(+351) 251 654 801
info@glammfire.com
www.glammfire.com

glamm[®]
fire

GlammFire

Burner 3



GlammFire

Recuperadores Pachinha Lda.
Zona Industrial da Lagoa, Lote G1
4950-850 CORTES - MONÇÃO
PORTUGAL

Tel(+351) 251 654 800
Fax(+351) 251 654 801
info@glammfire.com
www.glammfire.com

glamm[®]
fire

PT02614-B