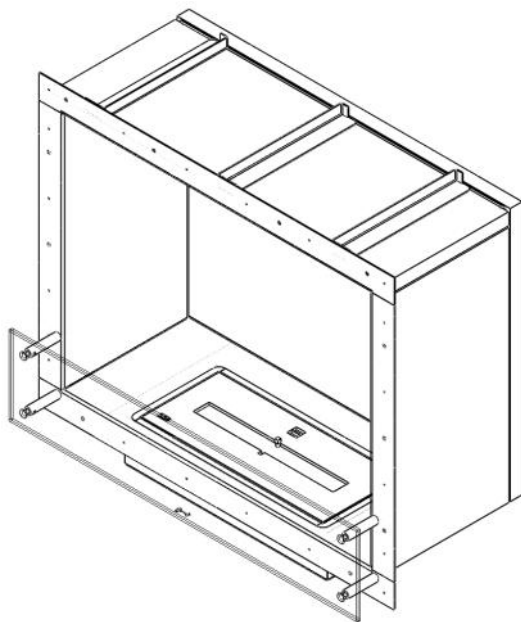


# Fire Wonderland



## GlammBox 770

### Dimensions

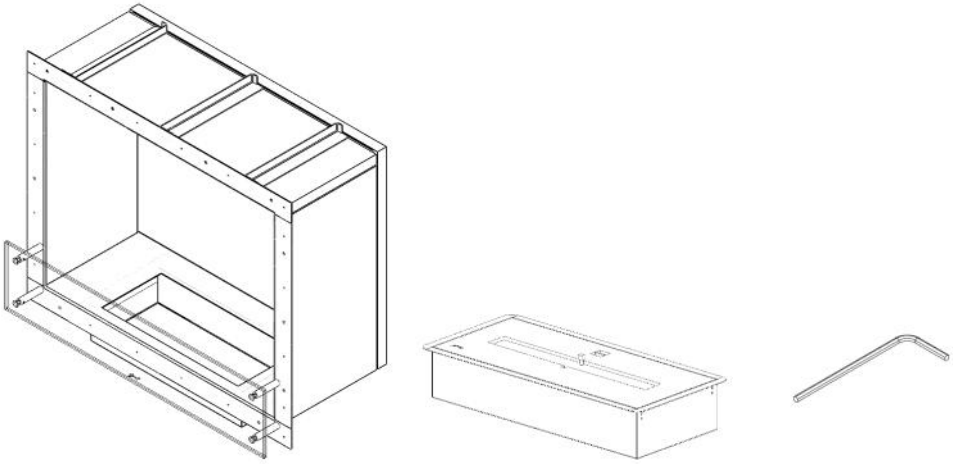
H 764 mm x W 890 mm x D 348 mm

### Weight (without burners)

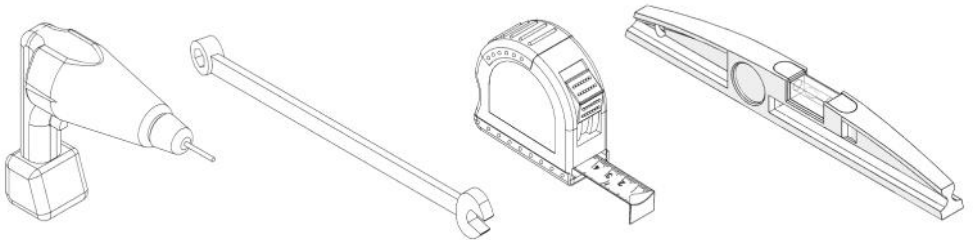
37 kg

*glamm*<sup>®</sup>  
fire

**Material Supplied/** «GlammBox 770 » model; Burner; Hex Key.



**Tools Required/** Drill; Wrench; Tape measure; Spirit Level



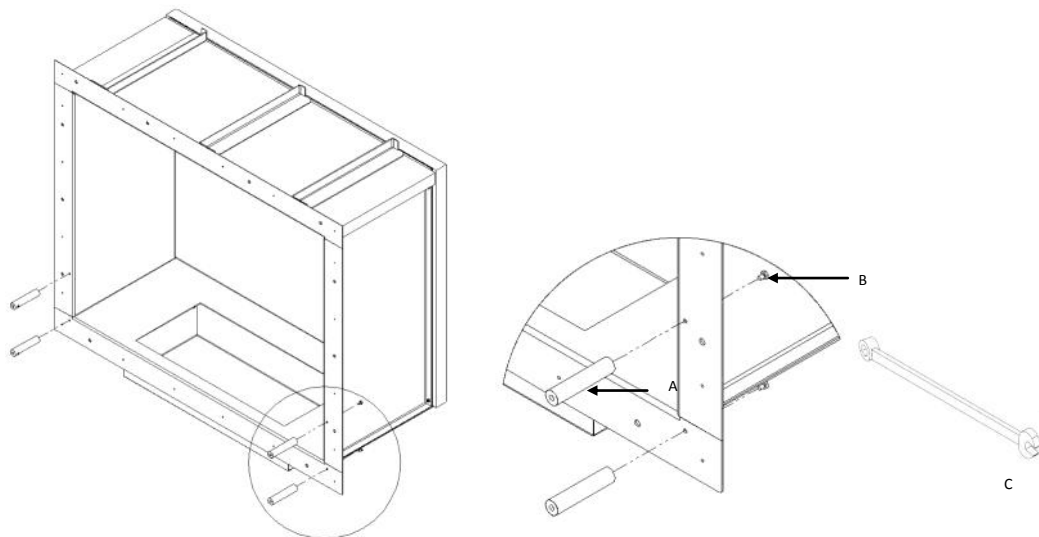
### **Unpacking**

For protection reasons, the fireplace is sent horizontally. Extract the fireplace from the box, grabbing it only from the bottom.

## Assembly / Disassembly of Glass Supports

### Important:

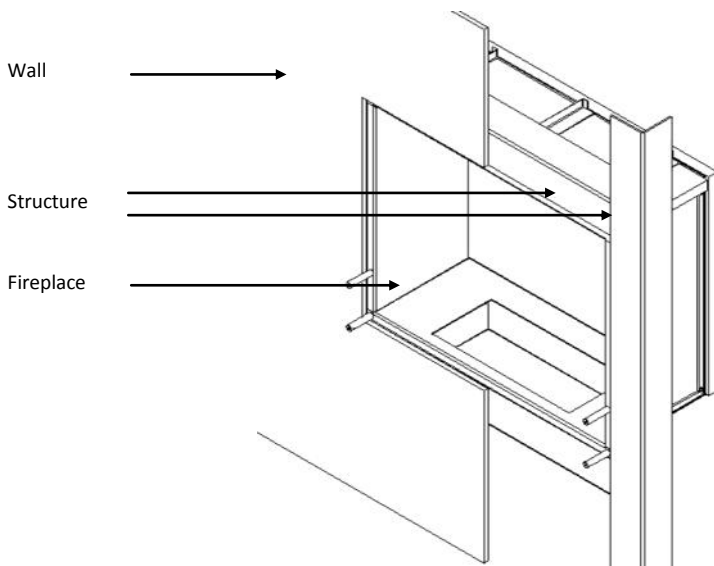
Before starting the assembly of your fireplace do not forget to put the Glass Support Base on first.

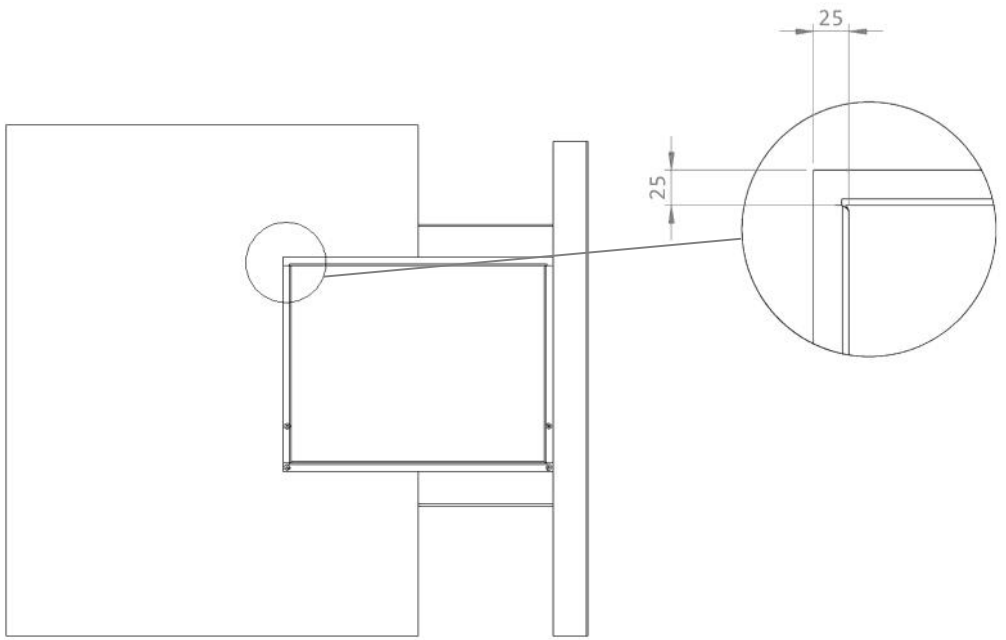


Screw (B) in (A) with help of (C)

### Installation Procedures

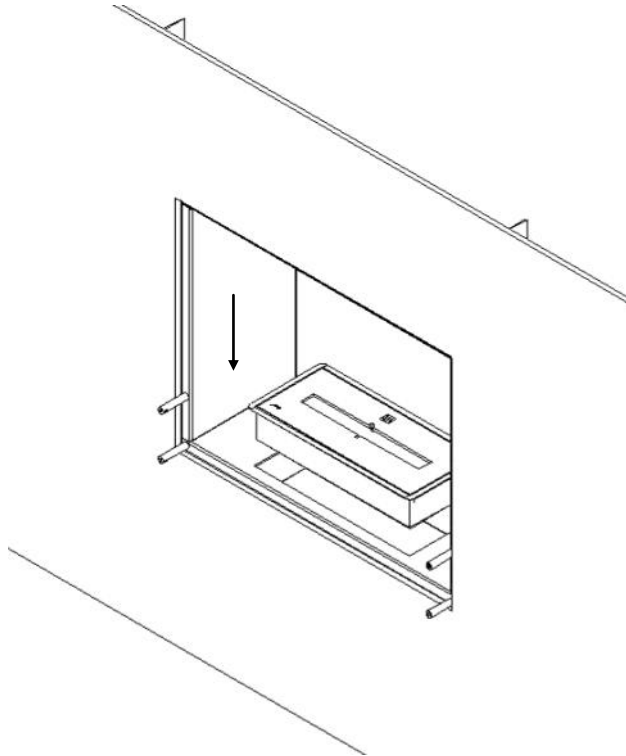
Your fireplace must be bolted to a structure previously built in order to make it stable and safe.

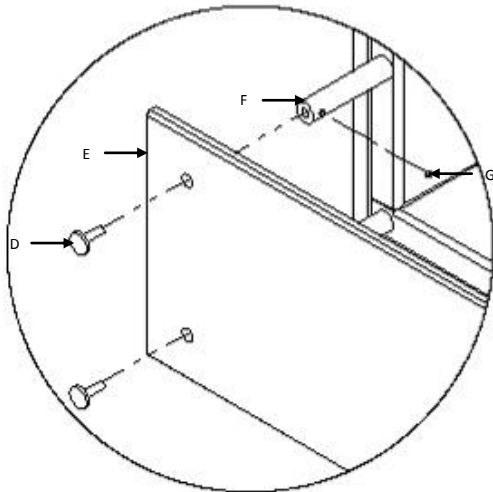
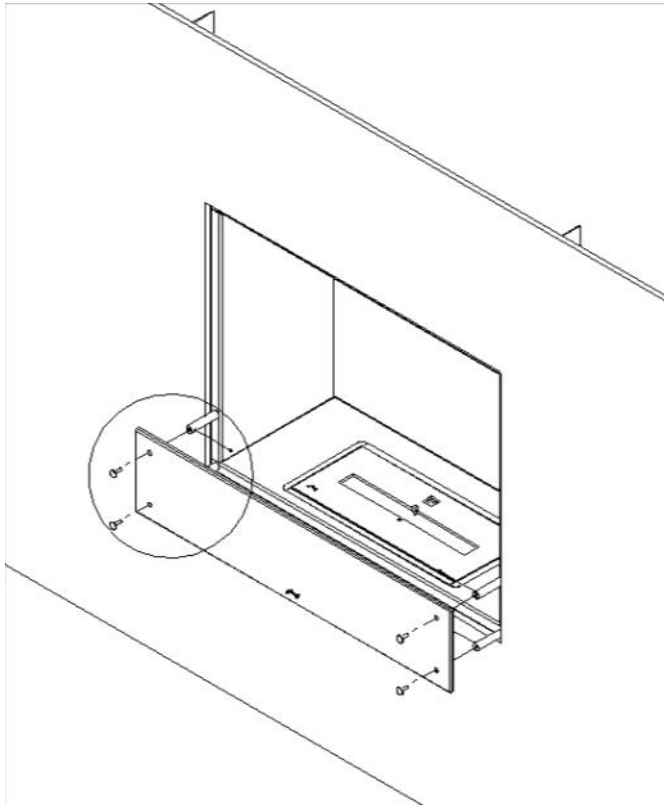




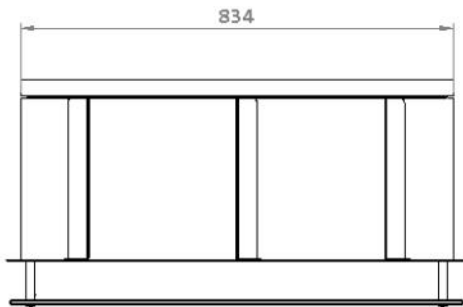
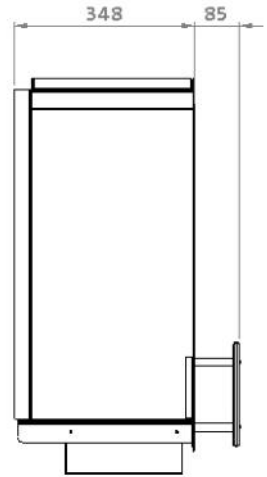
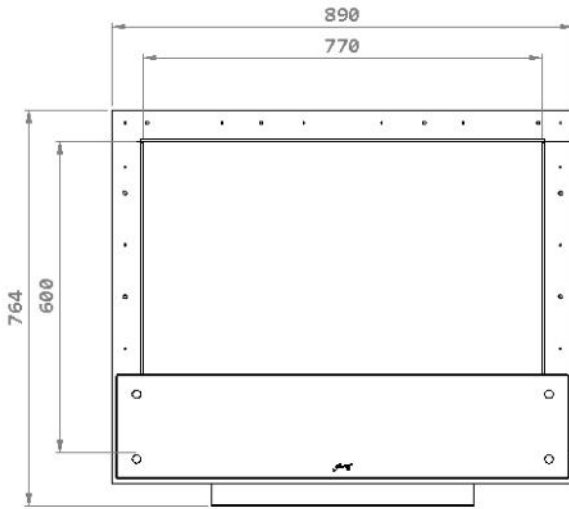
Take care not to install your fireplace near flammable materials.

To complete the installation of your fireplace put the burner and finish the application of glasses.





Place (D) in (F) and screw (G) in order to fix glass (E)  
To screw (G), use the supplied key ( Hex Key) (H)



### After-Sales Service

In case of doubt or any anomaly, do not use the fireplace and please contact a specialized technician.

### Guarantee

3 years against manufacture defects ( the warranty do not include glasses).





*glamm*<sup>®</sup>  
*fire*

Recuperadores Pachinha Lda.  
Zona Industrial da Lagoa, Lote G1  
4950-850 CORTES - MONÇÃO PORTUGAL  
Tel(+351) 251 654 800  
Fax(+351) 251 654 801  
info@glammfire.com  
www.glammfire.com

